

MRIDL4S SERIES

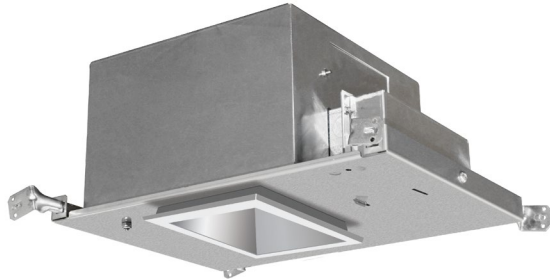
IMPORTANT SAFEGUARDS

When using electrical equipment, basic safety precautions should always be followed, including the following:

THIS PRODUCT MUST BE INSTALLED IN ACCORDANCE WITH THE APPLICABLE INSTALLATION CODE BY A PERSON FAMILIAR WITH THE CONSTRUCTION AND OPERATION OF THE PRODUCT AND THE HAZARDS INVOLVED.

CE PRODUIT DOIT ÊTRE INSTALLÉ SELON LE CODE D'INSTALLATION PERTINENT, PAR UNE PERSONNE QUI CONNAÎT BIEN LE PRODUIT ET SON FONCTIONNEMENT AINSI QUE LES RISQUES INHÉRENTS.

DISCONNECT POWER TO ALL CIRCUITS BEFORE WIRING FIXTURE. INSTALL IN ACCORDANCE WITH ALL NATIONAL, STATE, AND LOCAL CODES. DO NOT CONNECT TO AN UNGROUNDED SUPPLY. READ ALL FIXTURE MARKINGS AND LABELS TO ENSURE CORRECT INSTALLATION OF FIXTURE. SUPPLEMENTAL INSTRUCTIONS MAY BE LOCATED ON THE FIXTURE, IN ADDITION TO THIS INSTRUCTION SHEET, REGARDING ORIENTATION, OR MOUNTING RESTRICTIONS.



SAVE THESE INSTRUCTIONS

TO PREVENT MRI MACHINE INTERFERENCE, ALL DC POWER AND DIMMING SIGNAL WIRING MUST BE COMPLETELY SHIELDED WITHIN GROUNDED ALUMINUM CONDUIT AND A SUITABLE MRI ROOM EMI FILTER MUST BE INSTALLED ON EACH LINE.

NEW CONSTRUCTION- DRYWALL CEILING – RECOMMENDED CEILING CUTOUT- 4.125" SQUARE

1. Loosen locking screws to extend hanger bars. See Figure 1.
2. Align bottom of hanger bar tabs to bottom of joist.
3. Secure luminaire hanger bars using nails or screws.
4. Position luminaire as required and lock position by tightening locking screws.

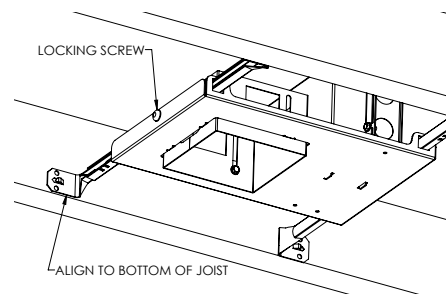


FIGURE 1

GRID CEILING – RECOMMENDED CEILING CUTOUT- 4.125" SQUARE

1. Loosen locking screws to extend hanger bars. See Figure 2.
2. Position luminaire as required and lock position by tightening locking screws.

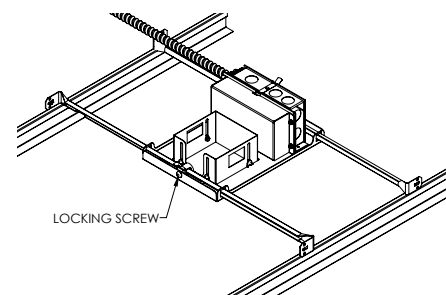


FIGURE 2



- Attach luminaire securely to grid using brackets, screws and nuts provided or wiring to grid members. See Figure 3.

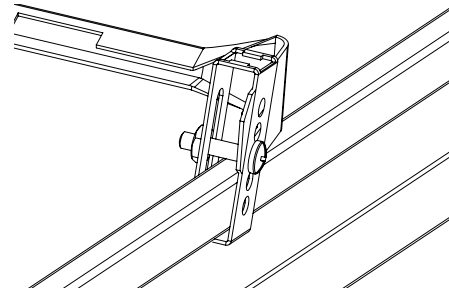


FIGURE 3

ELECTRICAL CONNECTION

- Mount and wire the MRIPSF-480 external power supply system per the procedures provided in the supplementary instruction sheet. Run conduit and DC wiring to an MRI room EMI filter. Make sure wiring is completely enclosed in grounded aluminum conduit. Any gaps, regardless of size, must be closed or wrapped in copper foil tape.
- If a 0-10V dimming circuit is to be connected, install at this time. The 0-10V dimmer must be installed outside the shielded MRI environment with the Kenall MRIFD-1A dimming line filter (or equivalent) installed in accordance with the supplied installation instructions. Kenall recommends the Lutron Diva (DVSTV) and Lutron Nova T (NTSTV-DV) series to ensure the full range of dimming can be achieved.
- Remove junction box cover and make conduit connections to the appropriate 1/2" knockout(s).

NOTE: 24VDC and Dimming Wires to be run through same conduit.

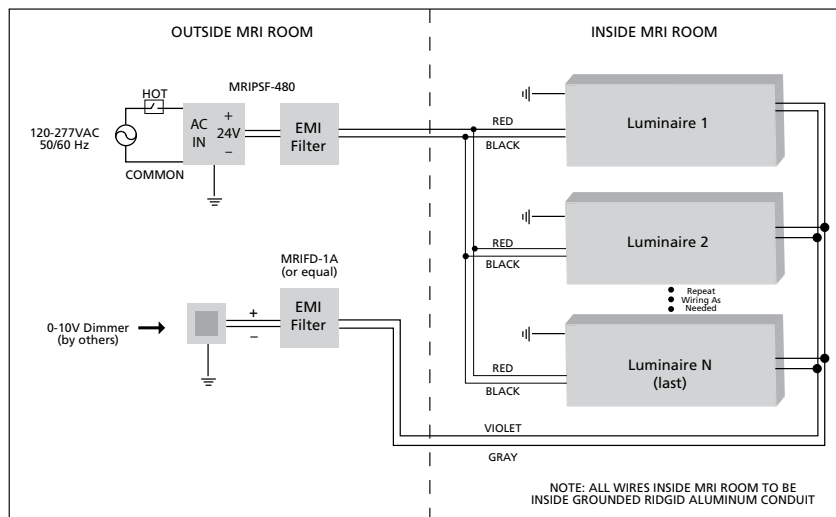


FIGURE 4

- Run DC supply wiring, equal in size and temperature rating to the filter input wiring, between the filter output cables and the first luminaire within the shielded room. Follow recommended wiring layout described within Figure 4. All wiring must be within completely-enclosed, grounded conduit suitable for an MRI environment. Any gaps, regardless of size, must be closed or wrapped in copper foil tape. Special attention should be paid to the wiring entry point into the shielded space. Class 1 wiring methods are required.
- Run the dimming signal wiring, equal in specification to the filter input wiring, between the filter output cables and the first luminaire within the shielded room. Maintain polarity between input and output sides of the filter and follow wiring recommendation in Figure 4. All wiring must be within completely enclosed, grounded conduit suitable for an MRI environment. Any gaps, regardless of size, must be closed or wrapped in copper foil tape. Special attention should be paid to the wiring entry point into the shielded space. Cap gray and violet leads at luminaire(s) if dimming function is not implemented.



SEE SUPPLEMENTAL SHEET FOR RECOMMENDED WIRING INSTALLATION

- 6. Using at least an 18 AWG wire, ground the last housing in the sequence to the shielded ceiling. This can be done by fastening the wire to the copper ground wire in the luminaire's junction box..
- 7. Make DC supply and (optional) dimmer control connections within each luminaire.
- 8. Replace junction box cover and seal both covers using supplied copper foil tape.

TRIM CONNECTION AND INSTALLATION

To clean reflector use only a soft micro fiber lens cloth or alcohol wipe.

- 1. With finished ceiling or tile in place, loosen adjustment screws (see Figure 5) and position ring even with ceiling. Re-tighten screws securely.
- 2. Fasten conduit adapter to trim housing using the screw provided (see Figure 6).
- 3. Install trim and press firmly to ceiling.
- 4. Check to ensure the gasket between the trim ring and ceiling is compressed.

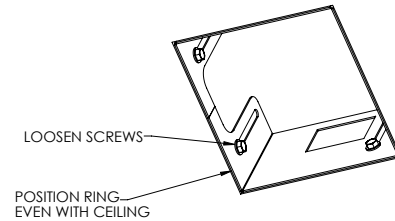


FIGURE 5

TRIM REMOVAL

- 1. To remove trim, pull downward firmly on flange.

SERVICE

CAUTION- BEFORE BEGINNING ANY SERVICE, DISCONNECT POWER TO THE FIXTURE.

DRIVER REPLACEMENT

- 1. For room side access, pull downward firmly on flange to remove. See Trim Removal Section above.
- 2. Disconnect conduit adapter by loosening screw. (See Figure 6)
- 3. Disconnect connectors and remove trim housing and move to a safe location.
- 4. Remove (4) screws and remove adjustment ring.
- 5. Lift spring to remove LED driver/cover assembly.
- 6. Disconnect leads and reconnect to new driver.
- 7. Install new driver/cover place cover tab into slot in frame and pivot until snapped under spring.
- 8. Re-install adjustment ring and adjust flush to ceiling.
- 9. Re-install trim housing following instructions in Trim Connection And Installation section.

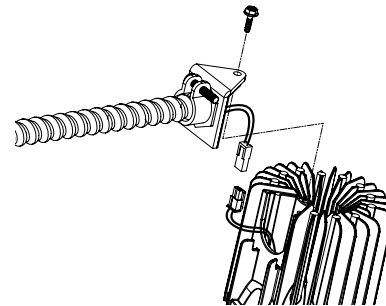


FIGURE 6



MODULE REPLACEMENT

1. For room side access, pull downward firmly on flange. See Trim Removal Section above.
2. Disconnect conduit adapter by loosening screw. (See Figure 6)
3. Disconnect electrical connectors and remove trim housing.
4. Remove heatsink from lower housing by removing (3) screws and lifting off.
5. Remove (3) screws, reflector plate and insulator as shown in Figure 7. LED module may then be removed and replaced.
6. Apply heatsink paste to back of new LED module.
 1. Feed the connector through the opening in the housing and position the insulator and reflector plate.
 2. Secure the LED module, insulator and reflector plate to the housing by re-installing the (3) screws. See Figure 7.
 3. Re-assemble the heatsink to the lower housing by replacing the (3) screws.
 4. Re-install trim housing following instructions in "Trim Connection And Installation" section.

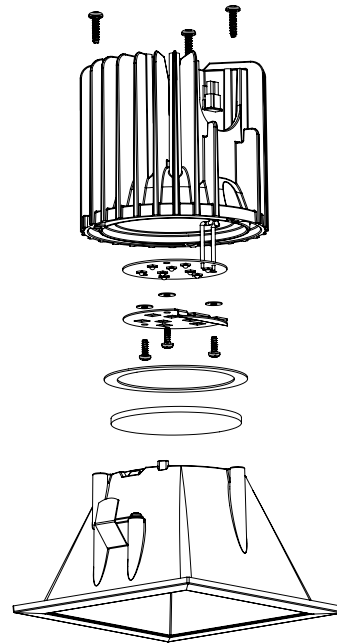
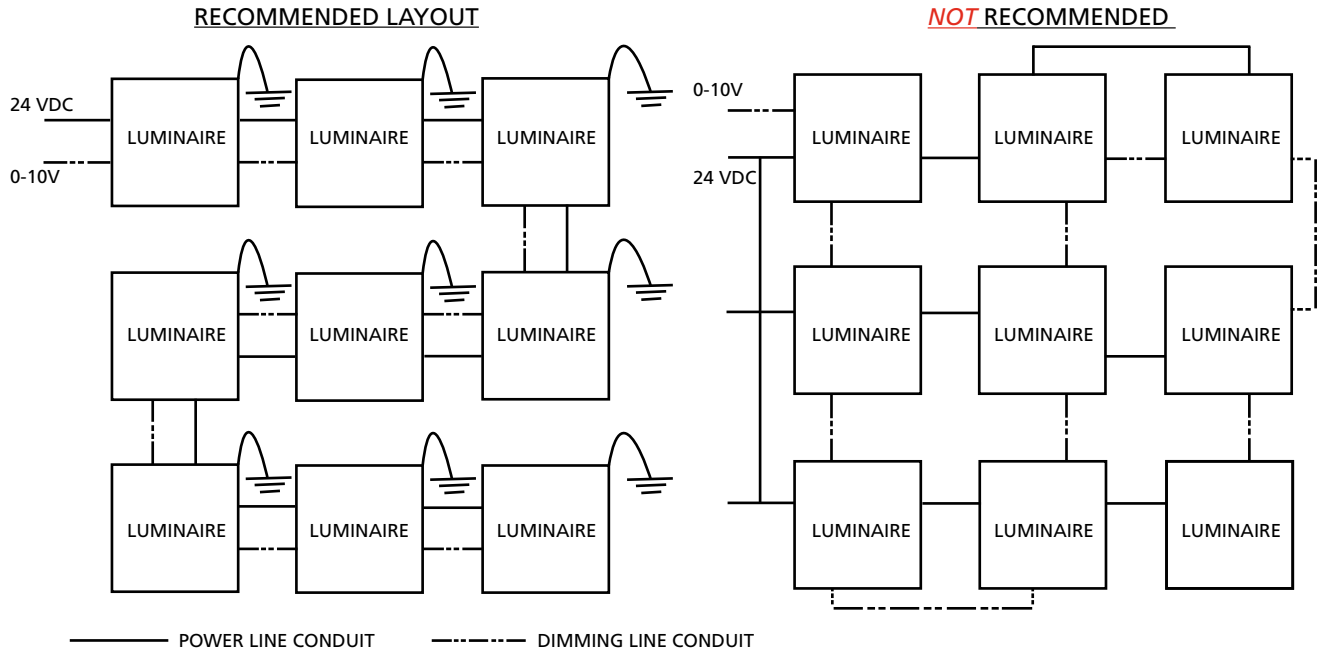


FIGURE 7



Wiring from fixture to fixture and grounding the final fixture is recommended.

CUSTOMER SERVICE

For technical assistance, call 1-800-4KENALL (1-800-453-6255).

WARRANTY

For warranty information visit www.kenall.com/Resources/Certified-Performance-Warranties

