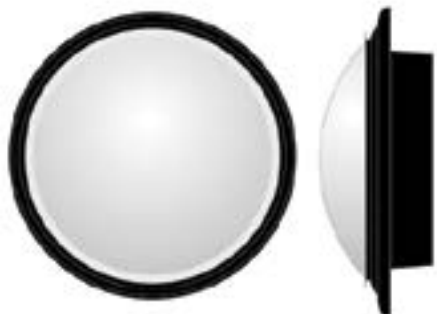


**SEMI-RECESSED PROFILE SERIES**



**IMPORTANT SAFEGUARDS**

**When using electrical equipment, basic safety precautions should always be followed, including the following:**

THIS PRODUCT MUST BE INSTALLED IN ACCORDANCE WITH THE APPLICABLE INSTALLATION CODE BY A PERSON FAMILIAR WITH THE CONSTRUCTION AND OPERATION OF THE PRODUCT AND THE HAZARDS INVOLVED. DISCONNECT POWER TO ALL CIRCUITS BEFORE WIRING FIXTURE. INSTALL IN ACCORDANCE WITH ALL NATIONAL, STATE, AND LOCAL CODES. DO NOT CONNECT TO AN UNGROUNDED SUPPLY. READ ALL FIXTURE MARKINGS AND LABELS TO ENSURE CORRECT INSTALLATION OF FIXTURE. SUPPLEMENTAL INSTRUCTIONS MAY BE LOCATED ON THE FIXTURE, IN ADDITION TO THIS INSTRUCTION SHEET, REGARDING ORIENTATION, OR MOUNTING RESTRICTIONS.

**SAVE THESE INSTRUCTIONS**

**INSTALLATION INSTRUCTIONS**

The enclosed instructions are to install Millennium™ Round MR17 Semi-Recessed Profile series. The installation instructions differ based on which mounting type is being used. The different mounting type options include Pour-in-Place or Masonry (PP), Non IC Deep Profile (ND), Non IC Low Profile (NL), Canopy Covered Top (CC), and Canopy Open Top (CO). CC and CO are both ceiling mountings only and are not available with the MR17ESR. Refer to the product specification sheet enclosed with the shipped product to find the appropriate mounting type.



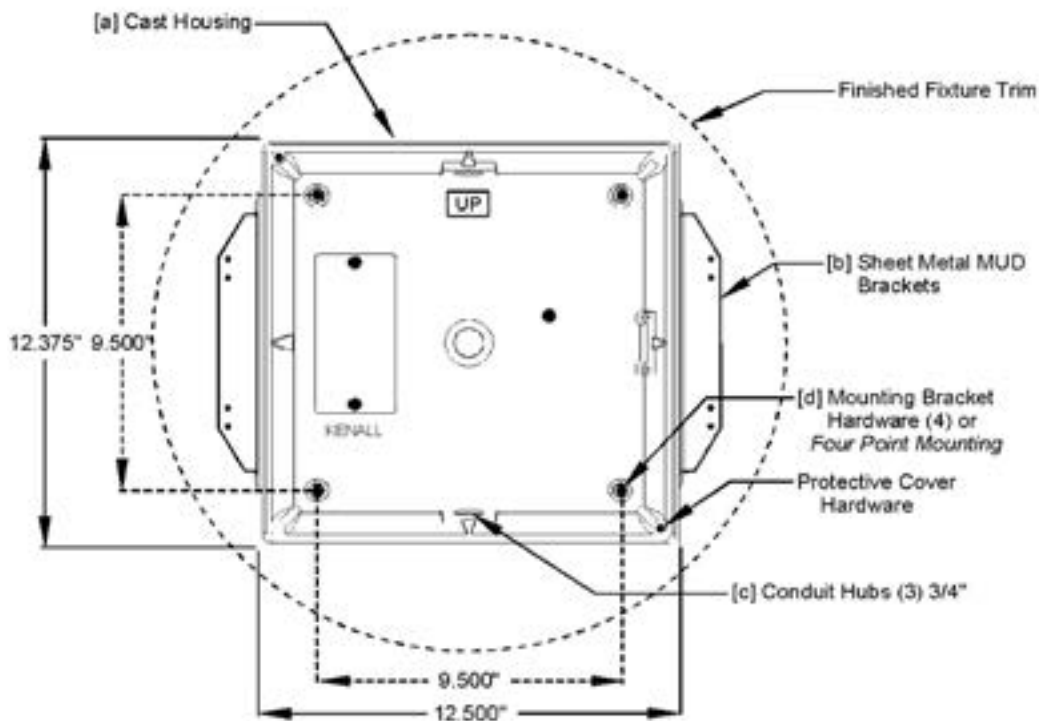
## ROUGH-IN SECTION FOR PP MOUNTING

### WALL MOUNTING (PP)

1. To ensure proper orientation of fixture optical assembly, mount cast housing [a] with sheet metal MUD brackets [b] mounted on left and right side, "KENALL" nameplate on bottom left, and conduit hubs [c] on top and bottom. See illustration below.

### WALL AND CEILING MOUNTING (PP)

2. Mount sheet metal MUD brackets [b] to cast housing [a] by punching out the four bracket mounting holes using a 0.25" punch. Mount MUD brackets [b] using hardware [d] provided in poly bag. When finished, reinstall the protective cover and fasten. OPTIONAL: Installing cast housing [a] without sheet metal MUD brackets [b] is done by punching out the four point mounting.
3. Rough opening not to exceed 12.625" x 12.625". Finished fixture trim measures 18" DIA. NOTE: Rough opening will be visible in four corner locations if maximum R.O. is exceeded.
4. IMPORTANT: Front edge of cast housing [a] must be flush with wall/ceiling surface. To ensure this, sheet metal MUD brackets [b] should rest ON wall/ceiling surface.
5. If fasteners are used with sheet metal MUD brackets [b], use flat head fasteners. Do not exceed 0.062" above sheet metal surface.



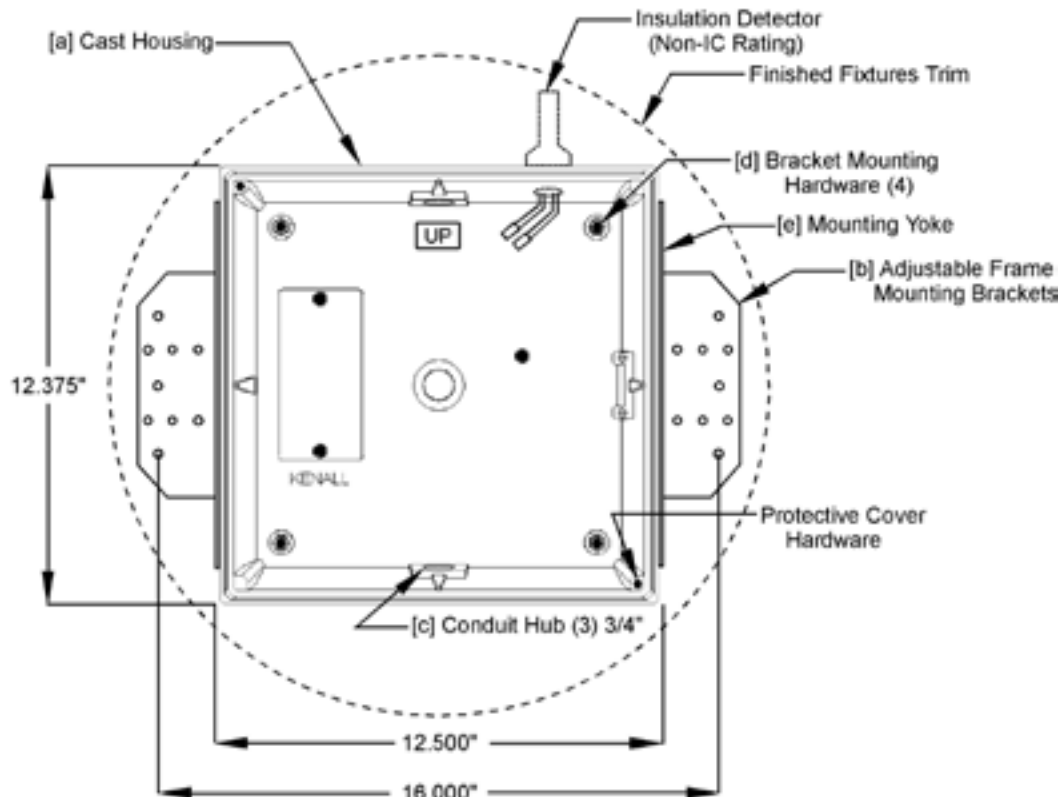
## ROUGH-IN SECTION FOR ND & CO MOUNTING

### WALL MOUNTING (ND)

1. To ensure proper orientation of fixture optical assembly, mount cast housing [a] with adjustable frame mounting brackets [b] mounted on left and right side, "KENALL" nameplate on bottom left, and conduit hub [c] on top and bottom. For MS15DSR, rotate cast housing 45° counterclockwise. See illustration below.

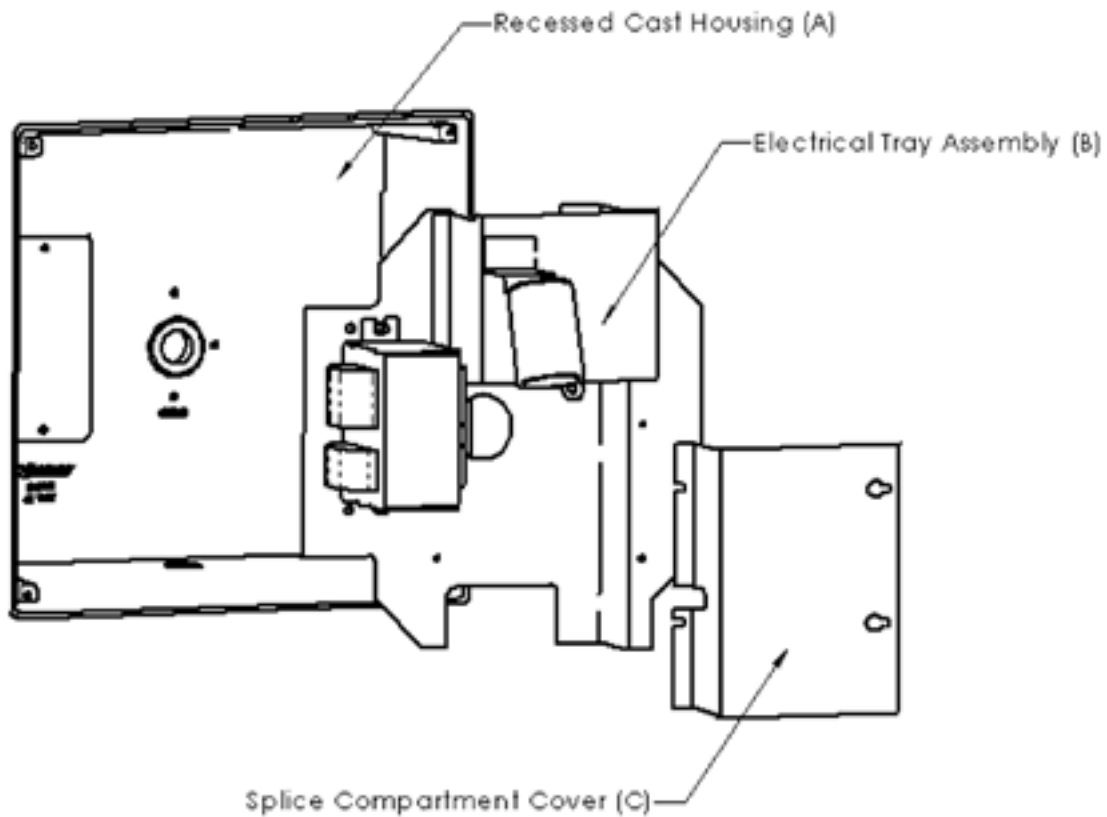
### WALL AND CEILING MOUNTING (ND) & (CO)

2. Assemble adjustable frame mounting brackets [b] to mounting yoke [e] using the #8 screws in poly bag. Adjust mounting yoke [e] so the quick reference cut outs on the sides of the mounting yoke [e] at 0.50" and 0.625" lines up according to the finished surface. Take the cast housing [a] and punch out the four mounting holes using a 0.25" punch and secure using remaining hardware in poly bag. Install module into nonconcrete construction. When finished, re-install the protective cover and fasten.
3. Finished wall/ceiling surface rough opening not to exceed 12.625" × 12.625". Finished fixtures trim measures 18" DIA. NOTE: Rough opening will be visible in four corner locations if maximum R.O. is exceeded.
4. IMPORTANT: Front edge of cast housing [a] must be flush with wall/ceiling surface. If the quick reference cut outs on the side of the mounting yoke [e] do not match the finished surface adjust the yokes position.
5. NOTE (ND ONLY): The insulation detector is taped to the top side wall of housing and must be snap fitted into opening provided in the orientation position as illustrated.



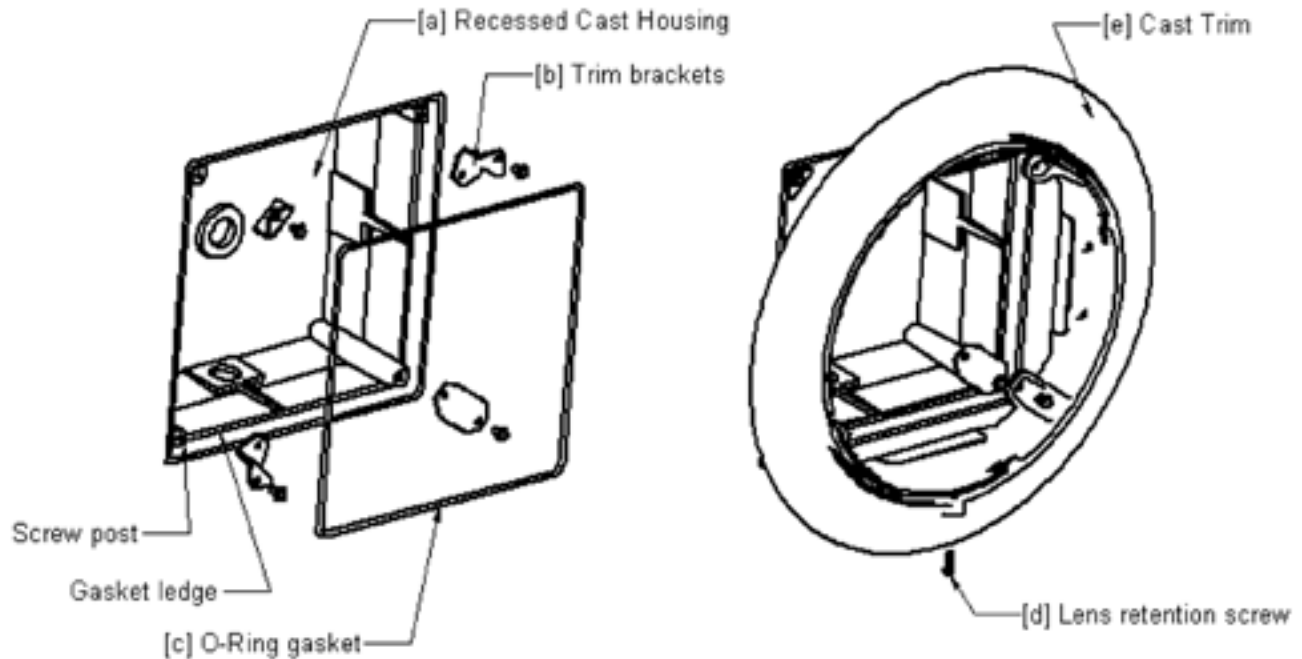
## WIRED ELECTRICAL TRAY FOR PP, ND & CO

1. Before installing electrical tray assembly, make sure recessed cast housing (A) is clean, dry, and free of debris.
2. Unpack electrical tray assembly (B). NOTE: Appearance will vary depending on model ordered. Remove splice compartment cover (C).
3. Mount electrical tray assembly into recessed cast housing using the #10-32 screws supplied in poly bag.
4. Make electrical connections. Install in compliance with the National Electrical Code, any applicable local codes and any specific instructions given on the luminaire labels. Supply wire must be rated for 90° C.
5. Replace splice compartment cover making sure all supply wire connections are inside splice compartment.



## HOUSING TRIM ASSEMBLY FOR PP, ND & CO

1. Discard any screws installed in the corner screw posts (screws were used to secure debris shield). Attach (4) trim brackets [b] to recessed cast housing [a] using #8-32 screws supplied in poly bag.
2. Install O-ring gasket [c] into recessed cast housing. Make sure gasket ledge is free of debris. Stretch gasket around four corner screw posts and seat onto gasket ledge.
3. Remove lens or lens/eyelid assembly by loosening lens retention screw [d] using #9500 screwdriver (ordered separately) and rotating lens counterclockwise. Remove reflector assembly and set aside.
4. Prepare cast trim [e] for mounting to recessed cast housing. For wet locations, caulk backside of cast trim perimeter. NOTE: This step is necessary to ensure wet location listing. Place into position, and fasten with four #10-32 screws supplied in poly bag. IMPORTANT: When wall mounting, attach so that lens retention screw is in down position.
5. Mount reflector assembly. Install lamp and lens or lens/eyelid assembly. Tighten lens retention screw.



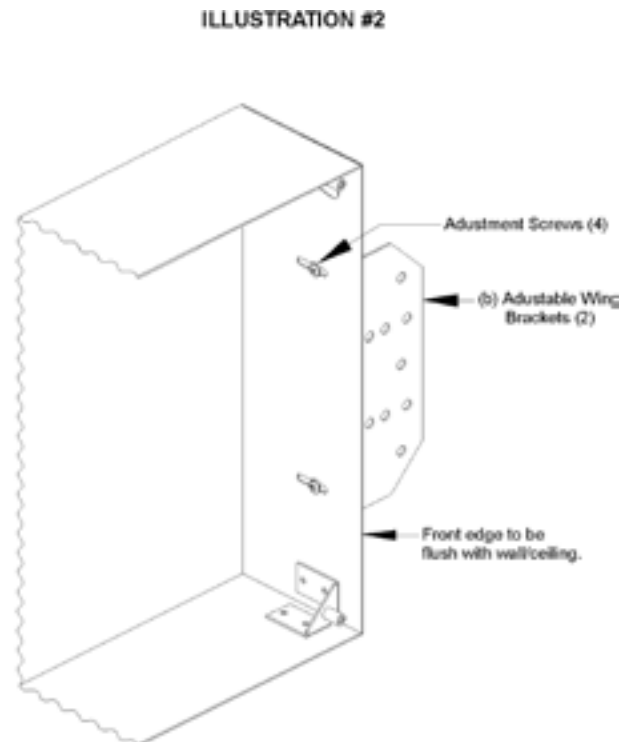
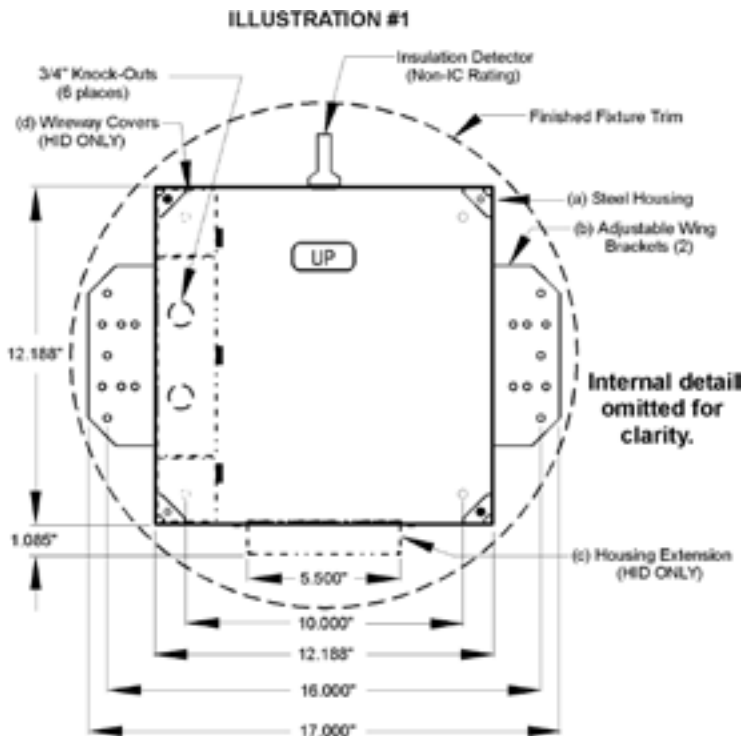
## WIRED ELECTRICAL SECTION FOR NL & CC MOUNTING

### WALL MOUNTING (NL)

1. To ensure proper orientation of fixture optical assembly, mount steel housing [a] with adjustable wing brackets [b] mounted on left and right side and "UP" label on top. See illustration #1 below.

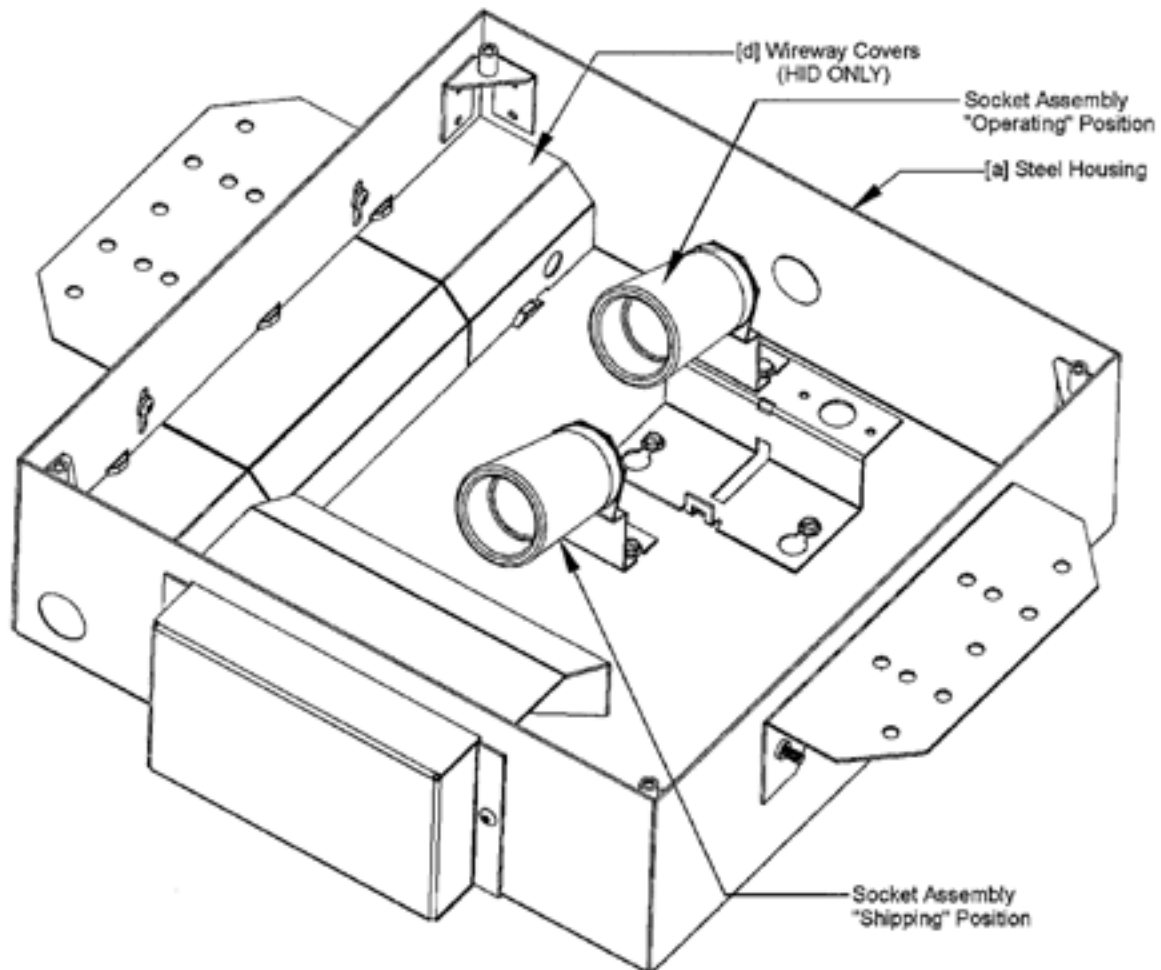
### WALL AND CEILING MOUNTING (NL) & (CC)

2. Mount adjustable wing brackets [b] to steel housing [a] with four #8 screws (in poly bag). See illustration #2 below.
3. IMPORTANT: Front edge of steel housing [a] must be flush with finished wall/ceiling surface. Adjust wing brackets [b] after securing to framing.
4. Rough opening not to exceed 12.625" × 12.625". Finished fixture trim measures 18" DIA. NOTE: Rough opening will be visible in four corner locations if maximum R.O. is exceeded.
5. NOTE HID ONLY: For applications where sheathing exceeds 0.625", a notch is recommended for clearance of the housing extension (c).
6. When finished, re-install the protective cover until ready for final assembly of Reflector/Trim.
7. NOTE: (NL) ONLY: The insulation detector is taped to the top side wall of housing and must be snap fitted into knockout opening provided in the orientation position as illustrated.



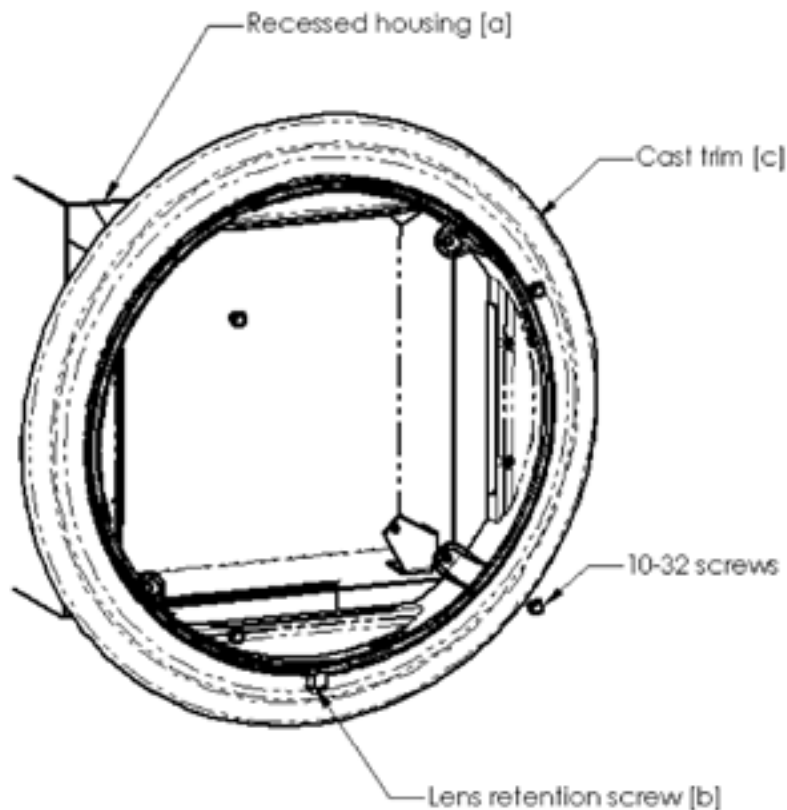
## LAMP SOCKET ORIENTATION FOR NL AND CC

1. Remove the protective cardboard cover (if installed).
2. Before final install of Reflector/Trim assembly. Reposition socket assembly in steel housing [a]. NOTE: Depending on lamp type (HID or CFL) and quantity ordered, socket assembly may be mounted in the "shipping" position (see example below). Relocate socket assembly to "operating" position (see reflector opening for reference).
3. Remove wireway covers. Make electrical connections. Install in compliance with the National Electrical Code, any applicable local codes and any specific instructions given on the luminaire labels. Supply wire must be rated for 90° C.
4. Replace wireway covers [d], making sure all supply wire connections are inside wiring compartment.



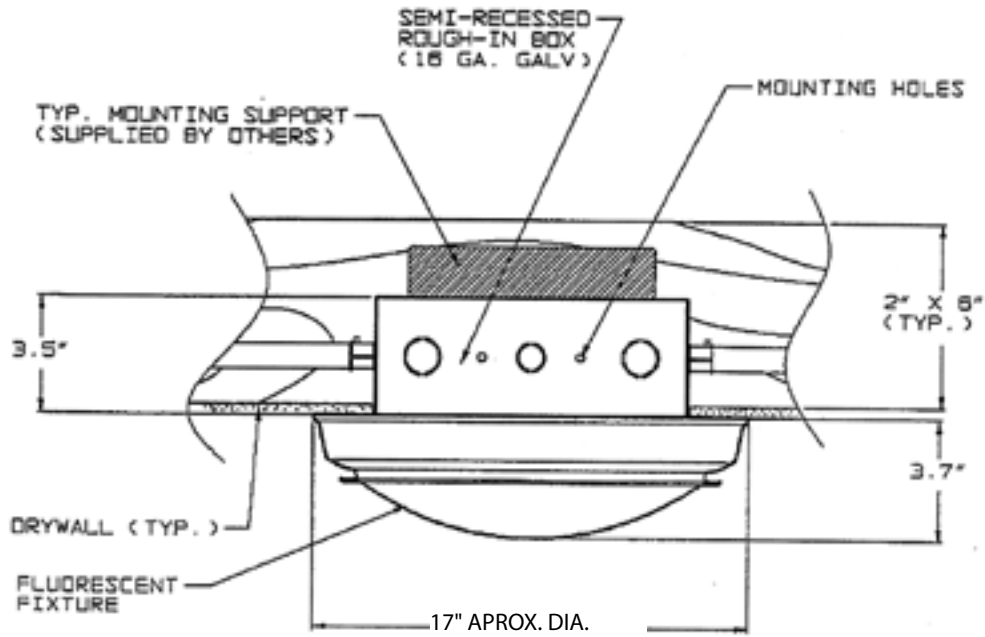
## HOUSING TRIM ASSEMBLY FOR NL AND CC

1. Discard any screws installed in the corner screw posts of recessed housing [a] (screws were used to secure protective cover).
2. Remove lens or lens/eyelid assembly by loosening lens retention screw [b] using #9500 screwdriver (ordered separately) and rotating lens counterclockwise. Remove reflector assembly and set aside.
3. Prepare cast trim [c] for mounting to recessed steel housing. For wet locations, caulk backside of cast trim perimeter. NOTE: This step is necessary to ensure wet location listing. Place into position, and fasten with four #10-32 screws supplied in poly bag. IMPORTANT: When wall mounting, attach so that lens retention screw is in down position.
4. Mount reflector assembly. Install lamp and lens or lens/eyelid assembly. Tighten lens retention screw.

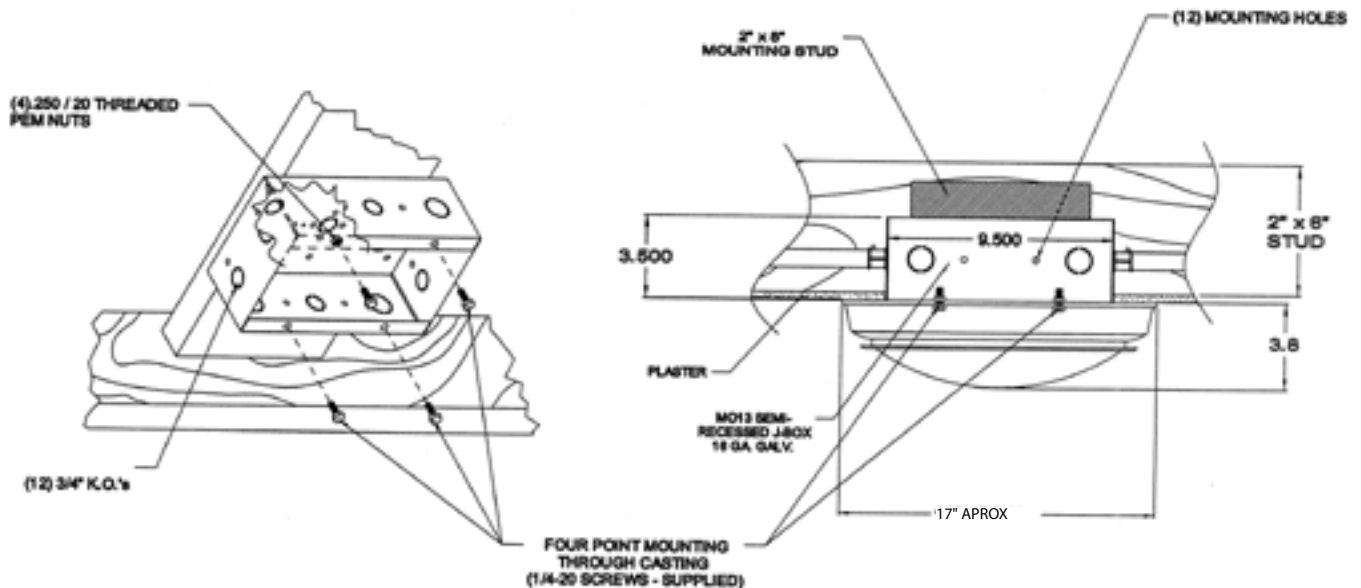




**EL/SR OPTION MOUNTING INSTRUCTIONS**



1. Carefully unpack. Remove diffuser by unscrewing Torx™ tamper resistant screw. Remove reflector by unscrewing two (2) #8 screws.
2. If rough-in box is not shipped separately, remove rough-in box from fixture by unscrewing four (4) 1/4-20 screws. Do not remove screws connecting plastic mounting feet to cast baseplate.
3. Mount rough-in box (4 point mounting is recommended) using suitable mounting supports (supplied by others). Mount so open end of rough-in box is flush with outside of drywall, plaster, etc. NOTE: If wall mounting, mount rough-in box vertically, to ensure proper orientation of lamp.
4. Refer to supplemental instructions for proper electrical connections to battery pack.
5. Mount fixture to rough-in box using four (4) screws provided.



www.kenall.com | P: 800-4-Kenall | F: 262-891-9701 | 10200 55th Street Kenosha, Wisconsin 53144, USA

A brand of **legrand**

This product complies with the Buy American Act: manufactured in the United States with more than 50% of the component cost of US origin. It may be covered by patents found at www.kenall.com/patents. Content of specification sheets is subject to change; please consult www.kenall.com for current product details. ©2019 Kenall Mfg. Co.

## CUSTOMER SERVICE

---

For technical assistance, call 1-800-4KENALL (1-800-453-6255).

## WARRANTY

---

For warranty information visit [www.kenall.com/Resources/Certified-Performance-Warranties](http://www.kenall.com/Resources/Certified-Performance-Warranties)



[www.kenall.com](http://www.kenall.com) | P: 800-4-Kenall | F: 262-891-9701 | 10200 55th Street Kenosha, Wisconsin 53144, USA

A brand of  **legrand**

This product complies with the Buy American Act: manufactured in the United States with more than 50% of the component cost of US origin. It may be covered by patents found at [www.kenall.com/patents](http://www.kenall.com/patents). Content of specification sheets is subject to change; please consult [www.kenall.com](http://www.kenall.com) for current product details. ©2019 Kenall Mfg. Co.