

## IMPORTANT SAFEGUARDS

When using electrical equipment, basic safety precautions should always be followed, including the following:

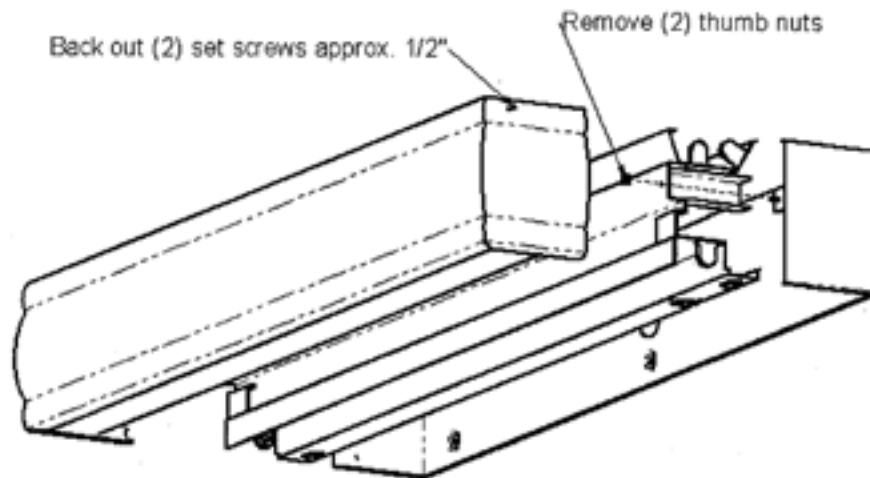
THIS PRODUCT MUST BE INSTALLED IN ACCORDANCE WITH THE APPLICABLE INSTALLATION CODE BY A PERSON FAMILIAR WITH THE CONSTRUCTION AND OPERATION OF THE PRODUCT AND THE HAZARDS INVOLVED. DISCONNECT POWER TO ALL CIRCUITS BEFORE WIRING FIXTURE. INSTALL IN ACCORDANCE WITH ALL NATIONAL, STATE, AND LOCAL CODES. DO NOT CONNECT TO AN UNGROUNDED SUPPLY. READ ALL FIXTURE MARKINGS AND LABELS TO ENSURE CORRECT INSTALLATION OF FIXTURE. SUPPLEMENTAL INSTRUCTIONS MAY BE LOCATED ON THE FIXTURE, IN ADDITION TO THIS INSTRUCTION SHEET, REGARDING ORIENTATION, OR MOUNTING RESTRICTIONS.

## SAVE THESE INSTRUCTIONS



## INSTALLATION INSTRUCTIONS

Disconnect power to all circuits before wiring fixture.

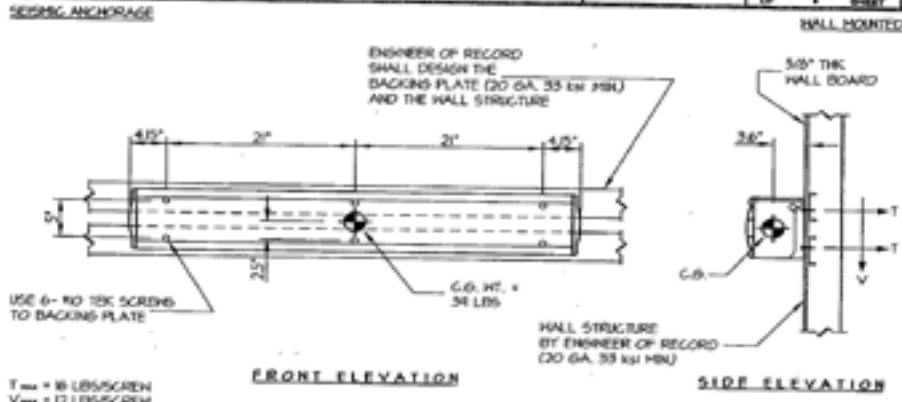


1. Remove valance cover from fixture by backing out two (2) set screws (one at each end) of valance approximately 1/2" and carefully slide valance from baseplate.
2. Remove two thumb nuts and carefully remove electrical assembly.



3. Locate and drill pilot holes in mounting surface using baseplate as template. Note that baseplate is not universal and should be mounted with lens brackets up. Using six (6) #10 screws (supplied), mount baseplate to surface. Fixture should be mounted to surface with 6-point mounting. Do not mount fixture from electrical junction box. NOTE: to comply with OSHPD certification for this fixture, see wall structure and mounting specifications at the end of this document. When installed according to those instructions, the product will meet California Building Code requirements for seismic anchorage, as required by OSHPD (California 's Office of Statewide Health Planning and Development).
4. If low voltage controller option was ordered, refer to included supplemental wiring instructions.
5. In all cases, grounding wire(s) must be connected to a suitable ground.
6. Connect quick connect leads to power supply leads using connectors suitable for the gage and number of wires being used (not included). Black and/or other colored leads connect to the supply conductor and white lead(s) connect to the neutral supply conductor. Connections are to be made in the junction box, not the fixture. Connect quick connect(s). Install electrical assembly and secure using two thumb nuts. Install lamps (supplied by others). Slide valance over baseplate and secure with two set screws.

<b>EASE EQUIPMENT ANCHORAGE &amp; SEISMIC ENGINEERING</b> <small>www.equipmentanchorage.com</small>		
<b>KENALL MANUFACTURING CO. INC.</b>	DES. <b>R. LA BRIE</b>	SHEET <b>1</b>
<b>RESIDENCE MPWV SERIES</b>	JOB NO. <b>II-0783</b>	OF <b>1</b> SHEET
	DATE <b>1/1/08</b>	



LOADS PER 2007 CALIFORNIA BUILDING CODE SECTION 1614 AND ASCE 7-05 SECTIONS 12 AND 13.  
 WEIGHT = 39 LBS  
 HORIZONTAL FORCE (E<sub>h</sub>) = 0.70 W<sub>h</sub> = 27 LBS  
 VERTICAL FORCE (E<sub>v</sub>) = 0.19 W<sub>h</sub> = 7 LBS  
 #12 SM SCREWS TO 20 GAGE, 33 HSI  
 T<sub>SM</sub> = 95 LBS  
 V<sub>SM</sub> = 188 LBS

TENSION (T)  
 $T_{TOTAL} = \frac{27 * 4.5}{2 * \sin(67)} = 11 \text{ LBS}$   
 $T_{WALL} = \frac{27 * 4.5}{2 * \sin(42)} = 1 \text{ LBS}$   
 $T_{TREN} = \frac{27 * 4.5}{6 * \sin(42)} = 5 \text{ LBS}$   
 $T_{MAX} = 18 = \sqrt{7^2 + 5^2} = 16 \text{ LBS/SCREW (MAX)}$

Shear (V)  
 $V_{MAX} = \frac{20 * 4.5 + 7 * 4.5 + 27 * 4.5}{6 * \sin(42)} = 12 \text{ LBS/SCREW (MAX)}$

ARCHITECT OR STRUCTURAL ENGINEER OF RECORD SHALL PROVIDE SUPPORT STRUCTURE TO SUPPORT WEIGHTS AND FORCES SHOWN.



When installed according to these instructions, the product will meet California Building Code required for seismic anchorage, as required by OSHPD (California's Office of Statewide Health Planning and Development). The goal of these requirements is to ensure that California hospitals and nursing homes are safe in the event of an earthquake, and remain functional after such and event, to serve the needs of the community.

### **CUSTOMER SERVICE**

---

For technical assistance, call 1-800-4KENALL (1-800-453-6255).

### **WARRANTY**

---

For warranty information visit [www.kenall.com/Resources/Certified-Performance-Warranties](http://www.kenall.com/Resources/Certified-Performance-Warranties)

