

IMPORTANT SAFEGUARDS

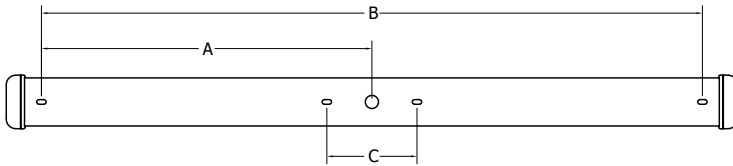
When using electrical equipment, basic safety precautions should always be followed, including the following:

THIS PRODUCT MUST BE INSTALLED IN ACCORDANCE WITH THE APPLICABLE INSTALLATION CODE BY A PERSON FAMILIAR WITH THE CONSTRUCTION AND OPERATION OF THE PRODUCT AND THE HAZARDS INVOLVED. DISCONNECT POWER TO ALL CIRCUITS BEFORE WIRING FIXTURE. INSTALL IN ACCORDANCE WITH ALL NATIONAL, STATE, AND LOCAL CODES. DO NOT CONNECT TO AN UNGROUNDED SUPPLY. READ ALL FIXTURE MARKINGS AND LABELS TO ENSURE CORRECT INSTALLATION OF FIXTURE. SUPPLEMENTAL INSTRUCTIONS MAY BE LOCATED ON THE FIXTURE, IN ADDITION TO THIS INSTRUCTION SHEET, REGARDING ORIENTATION, OR MOUNTING RESTRICTIONS.

SAVE THESE INSTRUCTIONS

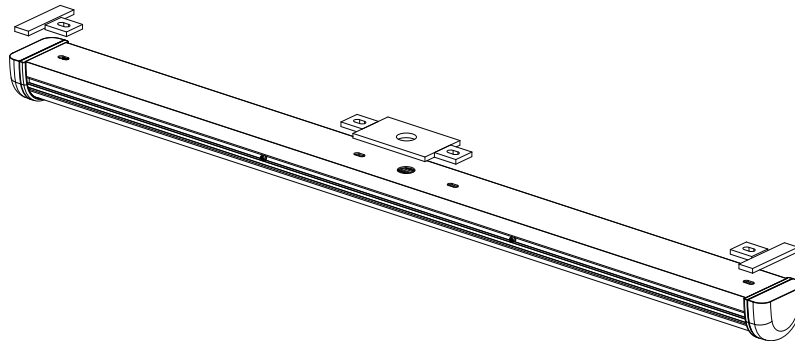
WALL OR CEILING SURFACE MOUNT INSTRUCTIONS

1. Prepare surface by locating and drilling mounting pilot holes in surface as well as installing j-box(es) as needed. Fixture(s) can be wired via conduit (using liquid-tight 1/2-inch conduit fitting, not supplied) so the use of j-box(es) is not a requirement.



Nominal Length	A	B	C
2-Foot	17.500	20.000	-
3-Foot	16.000	32.000	-
4-Foot	22.000	44.000	6.000
6-Foot	30.000	60.000	8.000
8-Foot	42.000	84.000	20.000

2. Prepare fixture for mounting by installing supplied pad gaskets (not included if Damp Location option ordered): small gaskets over mounting oblongs & smaller rectangular gaskets at ends of fixture.
3. If wiring to fixture is to be direct from installed j-box, install large rectangular gasket over 7/8-inch diameter wiring feed hole.
4. If wiring to fixture is to be via conduit, a 1/2-inch liquid-tight fitting should be used.
If conduit feed is to hole in top of fixture, large gasket can be omitted.
If conduit feed is to endcaps (removed from inside of endcap and using appropriate tools), large gasket should



be installed over hole in top of fixture to ensure fixture ratings.

5. Remove diffuser and LED module wireway (see page DIFFUSER/WIREWAY REMOVAL INSTRUCTIONS).
6. Secure fixture to mounting surface using 1/4-20 hardware and anchors suitable for the mounting surface (supplied by others).



www.kenall.com | P: 800-4-Kenall | F: 262-891-9701 | 10200 55th Street Kenosha, Wisconsin 53144, USA

This product complies with the Buy American Act: manufactured in the United States with more than 50% of the component cost of US origin. It may be covered by patents found at www.kenall.com/patents. Content of specification sheets is subject to change; please consult www.kenall.com for current product details. ©2019 Kenall Mfg. Co.

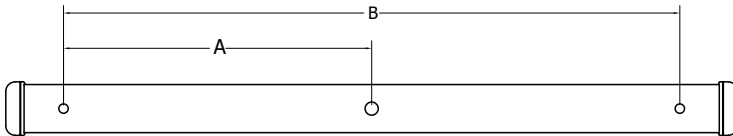
A brand of Legrand

7. Connect fixture leads to power supply leads using connectors (supplied by others) suitable for the gauge and number of wires being used. Use the appropriate temperature rated wire if supply connections are made in the fixture – see product label. Black fixture lead connects to the supply conductor, white fixture lead connects to neutral supply conductor, and the grounding wire must be connected to a suitable ground. If used, purple and pink fixture leads connect to suitable 0-10V dimmer (DIM1) or purple and purple/white leads connect to suitable DALI system (DALI). Use Class 1 wiring, rated 600VAC, for connections to 0-10V dimming leads.
8. Reconnect LED module wires and install LED module wireway. Make sure all wires are tucked back into wireway before fastening into place.
9. Reinstall diffuser.

PENDANT MOUNT INSTRUCTIONS

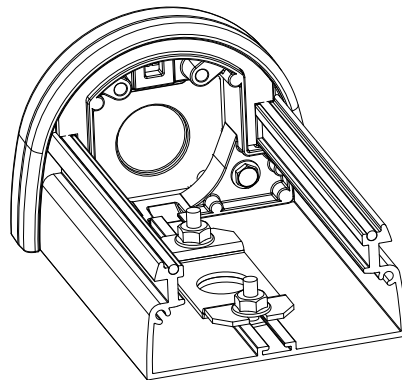
Do not mount fixture from pendant supports unless -PM option has been ordered.

1. Lay out and install appropriate pendant/cable system (supplied by others) per manufacturer’s instructions. Fixture(s) supplied with (2) 5/8-in diameter pendant/cable mounting holes.



Nominal Length	A	B
2-Foot	17.500	20.000
3-Foot	16.000	32.000
4-Foot	20.500	41.000
6-Foot	32.500	65.000
8-Foot	42.000	84.000

2. Remove diffuser and LED module wireway (see page DIFFUSER/WIREWAY REMOVAL INSTRUCTIONS).
3. Secure fixture to pendant/cable system per manufacturer’s instructions.
4. Connect wiring conduit to fixture using 1/2-inch conduit fitting. (1) feed hole is supplied in top of fixture; optional feed locations are in fixture endcaps (7/8-inch diameter knockouts). If using end feed location, remove



knockout(s) from inside endcaps using appropriate tools and plug feed hole in top of fixture (supplied by others).

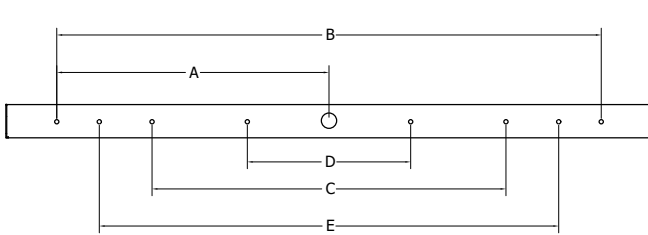


5. Connect fixture leads to power supply leads using connectors (supplied by others) suitable for the gauge and number of wires being used. Use the appropriate temperature rated wire if supply connections are made in the fixture – see product label. Black fixture lead connects to the supply conductor, white fixture lead connects to neutral supply conductor, and the grounding wire must be connected to a suitable ground. If used, purple and pink fixture leads connect to suitable 0-10V dimmer (DIM1) or purple and purple/white leads connect to suitable DALI system (DALI). Use Class 1 wiring, rated 600VAC, for connections to 0-10V dimming leads.
6. Reconnect LED module wires and install LED module wireway. Make sure all wires are tucked back into wireway before fastening into place.
7. Reinstall diffuser.

CORNER MOUNT BRACKET INSTRUCTIONS

1. Prepare surface by locating and drilling CORNER MOUNT BRACKET mounting pilot holes in surface as well as installing j-box(es) as needed. CORNER MOUNT BRACKET has (2) 1-1/2inch diameter knockouts for wire-thru: one located on mounting surface, and one located on opposite surface for flexibility in j-box location.
2. Secure CORNER MOUNT BRACKET to wall or ceiling surface using appropriate 1/4-20 hardware and anchors suitable for the mounting surface (supplied by others).

NOTE: CORNER MOUNT BRACKET is universal and mounting holes can be used to secure BRACKET to wall or ceiling surface.



Nominal Length	A	B	C	D	E
2-Foot	11.50	23.00	--	7.00	--
3-Foot	13.00	26.00	--	10.00	--
4-Foot	20.00	40.00	26.00	12.00	--
6-Foot	34.00	68.00	36.00	12.00	--
8-Foot	44.00	88.00	36.00	12.00	60.00

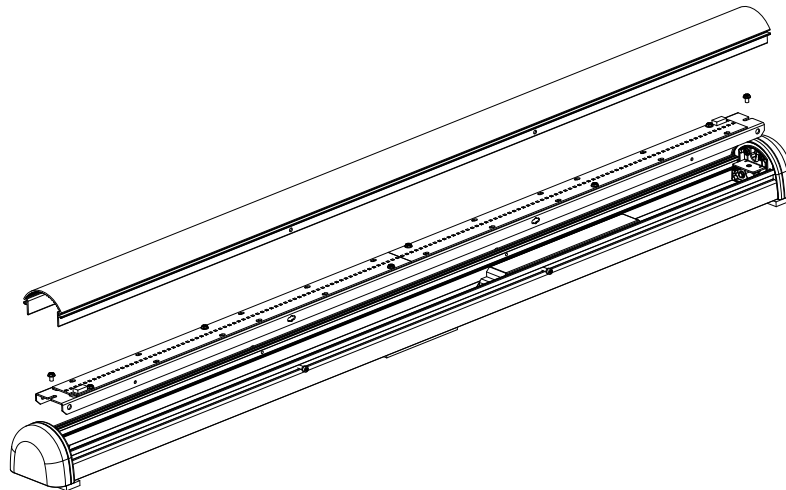
3. Remove fixture diffuser and LED module wireway (see page DIFFUSER/WIREWAY REMOVAL INSTRUCTIONS).
4. Secure fixture to CORNER MOUNT BRACKET using supplied 1/4-20 hardware.
5. If wiring to fixture is to be direct from installed j-box, connections to be made in fixture or j-box, not in CORNER MOUNT BRACKET.
6. If wiring to fixture is to be via conduit, a 1/2-inch fitting should be used. Fitting to be connected to fixture, not to CORNER MOUNT BRACKET. Fixture is supplied with (3) feed locations: feed hole in back of fixture; optional feed locations are in fixture endcaps (7/8-inch diameter knockouts). If conduit feed is to hole in back of fixture, ensure that fitting will fit inside CORNER MOUNT BRACKET. If using end feed location, remove knockout(s) from inside fixture using appropriate tools and plug feed hole in back of fixture to minimize debris entering fixture (supplied by others).



7. Connect fixture leads to power supply leads using connectors (supplied by others) suitable for the gauge and number of wires being used. Connections to be made in fixture or in j-box, not in CORNER MOUNT BRACKET. Use the appropriate temperature rated wire if supply connections are made in the fixture – see product label. Black fixture lead connects to the supply conductor, white fixture lead connects to neutral supply conductor, and the grounding wire must be connected to a suitable ground. If used, purple and pink fixture leads connect to suitable 0-10V dimmer (DIM1) or purple and purple/white leads connect to suitable DALI system (DALI). Use Class 1 wiring, rated 600VAC, for connections to 0-10V dimming leads.
8. Reconnect LED module wires and install LED module wireway. Make sure all wires are tucked back into wireway before fastening into place.
9. Reinstall diffuser.

DIFFUSER/WIREWAY REMOVAL INSTRUCTIONS

1. Remove diffuser by backing out diffuser screws approximately 3/8-inch. Slide diffuser toward one end and lift out. Remove screws from LED module wireway. Disconnect wire connectors from LED module assembly. Set diffuser and LED module assembly in a location they will be safe from accidental damage and debris.
2. If ordered with CDF option: **DO NOT USE POWER TOOLS TO LOOSEN FASTENERS.** Loosen fasteners by hand and when resistance is felt, stop. **DO NOT FORCE.** Additional turning of fasteners will cause the hardened fastener to enlarge the thread in the aluminum housing. The captive screws should not be removed.



CUSTOMER SERVICE

For technical assistance, call 1-800-4KENALL (1-800-453-6255). For additional instructions, go to www.kenall.com/Installs

WARRANTY

For warranty information visit www.kenall.com/Resources/Certified-Performance-Warranties



www.kenall.com | P: 800-4-Kenall | F: 262-891-9701 | 10200 55th Street Kenosha, Wisconsin 53144, USA

This product complies with the Buy American Act: manufactured in the United States with more than 50% of the component cost of US origin. It may be covered by patents found at www.kenall.com/patents. Content of specification sheets is subject to change; please consult www.kenall.com for current product details. ©2019 Kenall Mfg. Co.

A brand of  **legrand**