

**MEIC SERIES**

**IMPORTANT SAFEGUARDS**

**When using electrical equipment, basic safety precautions should always be followed, including the following:**

THIS PRODUCT MUST BE INSTALLED IN ACCORDANCE WITH THE APPLICABLE INSTALLATION CODE BY A PERSON FAMILIAR WITH THE CONSTRUCTION AND OPERATION OF THE PRODUCT AND THE HAZARDS INVOLVED. DISCONNECT POWER TO ALL CIRCUITS BEFORE WIRING FIXTURE. INSTALL IN ACCORDANCE WITH ALL NATIONAL, STATE, AND LOCAL CODES. DO NOT CONNECT TO AN UNGROUNDED SUPPLY. READ ALL FIXTURE MARKINGS AND LABELS TO ENSURE CORRECT INSTALLATION OF FIXTURE. SUPPLEMENTAL INSTRUCTIONS MAY BE LOCATED ON THE FIXTURE, IN ADDITION TO THIS INSTRUCTION SHEET, REGARDING ORIENTATION, OR MOUNTING RESTRICTIONS.

**SAVE THESE INSTRUCTIONS**

**CAUTION:** Ensure line power is disconnected before servicing fixture.

1. Pull on lens assembly end where indicated by "Pull Here" label, lower one end of the lens assembly then repeat on opposite end.
3. Optional: Remove torsion springs from one side to allow reflector to swing open for complete access to lamping and wiring compartment.



2. Both sides of the lens assembly should be on the down position (as shown) before beginning service.

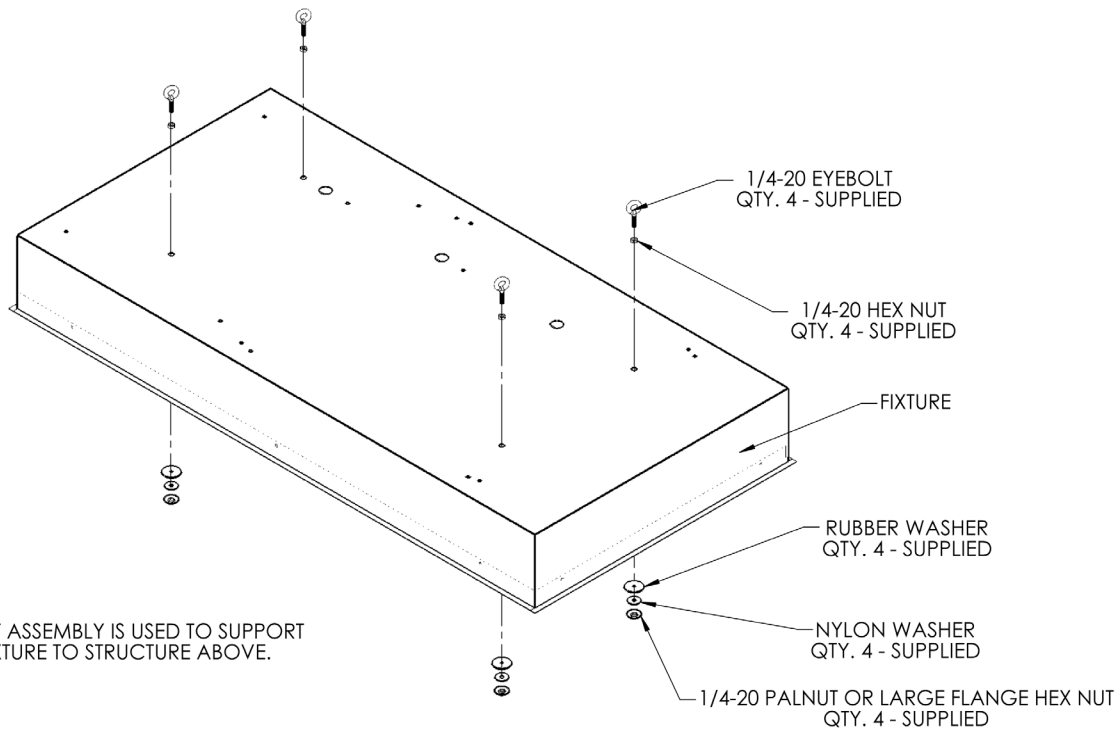




4. To return lens assembly back to closed position, push one long side lens assembly back into the housing, then holding on to the lens repeat on the other side.

### GRID FIXTURE SUSPENSION - EYEBOLT

1. Thread standard 1/4" hex nut onto eyebolt.
2. Slip eyebolt/nut assembly through housing (4 places).
3. From inside housing, install rubber washer, nylon washer, and palnut or large flange hex nut and tighten (4 places).



## CUSTOMER SERVICE

---

For technical assistance, call 1-800-4KENALL (1-800-453-6255).

## WARRANTY

---

For warranty information visit [www.kenall.com/Resources/Certified-Performance-Warranties](http://www.kenall.com/Resources/Certified-Performance-Warranties)



[www.kenall.com](http://www.kenall.com) | P: 800-4-Kenall | F: 262-891-9701 | 10200 55th Street Kenosha, Wisconsin 53144, USA

A brand of  **legrand**

This product complies with the Buy American Act: manufactured in the United States with more than 50% of the component cost of US origin. It may be covered by patents found at [www.kenall.com/patents](http://www.kenall.com/patents). Content of specification sheets is subject to change; please consult [www.kenall.com](http://www.kenall.com) for current product details. ©2019 Kenall Mfg. Co.