

MDLIC6 SERIES – ROUGH-IN

IMPORTANT SAFEGUARDS

When using electrical equipment, basic safety precautions should always be followed, including the following:

THIS PRODUCT MUST BE INSTALLED IN ACCORDANCE WITH THE APPLICABLE INSTALLATION CODE BY A PERSON FAMILIAR WITH THE CONSTRUCTION AND OPERATION OF THE PRODUCT AND THE HAZARDS INVOLVED. DISCONNECT POWER TO ALL CIRCUITS BEFORE WIRING FIXTURE. INSTALL IN ACCORDANCE WITH ALL NATIONAL, STATE, AND LOCAL CODES. DO NOT CONNECT TO AN UNGROUNDED SUPPLY. READ ALL FIXTURE MARKINGS AND LABELS TO ENSURE CORRECT INSTALLATION OF FIXTURE. SUPPLEMENTAL INSTRUCTIONS MAY BE LOCATED ON THE FIXTURE, IN ADDITION TO THIS INSTRUCTION SHEET, REGARDING ORIENTATION, OR MOUNTING RESTRICTIONS.

CE PRODUIT DOIT ÊTRE INSTALLÉ SELON LE CODE D'INSTALLATION PERTINENT, PAR UNE PERSONNE QUI CONNAÎT BIEN LE PRODUIT ET SON FONCTIONNEMENT AINSI QUE LES RISQUES INHÉRENTS.

THE DOWNLIGHT CONTAINS SENSITIVE ELECTRONICS. TAKE CARE TO AVOID DAMAGE BY IMPROPER HANDLING OR STATIC ELECTRICITY DISCHARGE (ESD). EITHER TYPE OF DAMAGE COULD RENDER THE SYSTEM INOPERABLE OR CAUSE LATENT FAILURE.

SAVE THESE INSTRUCTIONS

Recommended ceiling opening for trims with torsion springs (R or NF trim style): 7.125" Dia.

Recommended ceiling opening for trims secured with screws (FF trim style): 7.375" Dia

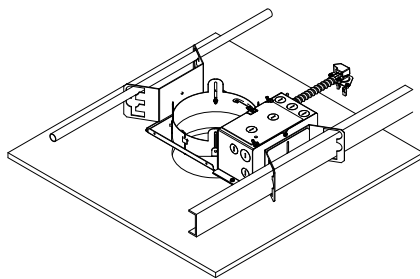
1. Insert 1/2" conduit or C channels, by others, into mounting brackets. Fig. 1
2. Secure the channels or conduit to framing members or grid.
3. Loosen two (2) screws in mounting brackets to adjust the height of the Rough-In frame to level with the bottom of the joists. Re-tighten when in position.
4. Remove an appropriate knockout and remove top cover by loosening wing nuts.
5. Install conduit and connectors to junction box.
6. Connect electrical service.

Main Power: Black- Line 120-277VAC
White- Neutral
Green- Ground

Power to Switching Relay: Black- Labeled RELAY CONTROL HOT 120-277VAC
White- Labeled RELAY CONTROL NEUTRAL 120-277VAC

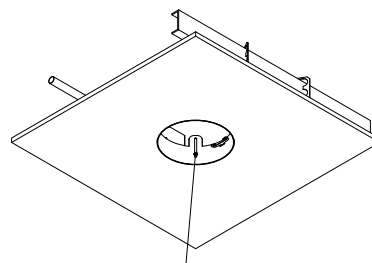
7. Replace cover and secure tightening wing nuts.
8. Adjust plaster ring flush to finished ceiling by loosening (4) screws. Fig. 2. Slide ring to proper position and re-tighten screws.
9. Complete installation steps provided within "Installation Instructions: Trim Section" document.
10. Complete installation and wiring to IC75 system control components per associated installation instructions. Refer to page 2 for basic schematic and operational logic table.

Figure 1



CONDUIT OR CHANNELS
SUPPLIED BY OTHERS

Figure 2



LOOSEN SCREWS TO ADJUST PLASTER RING



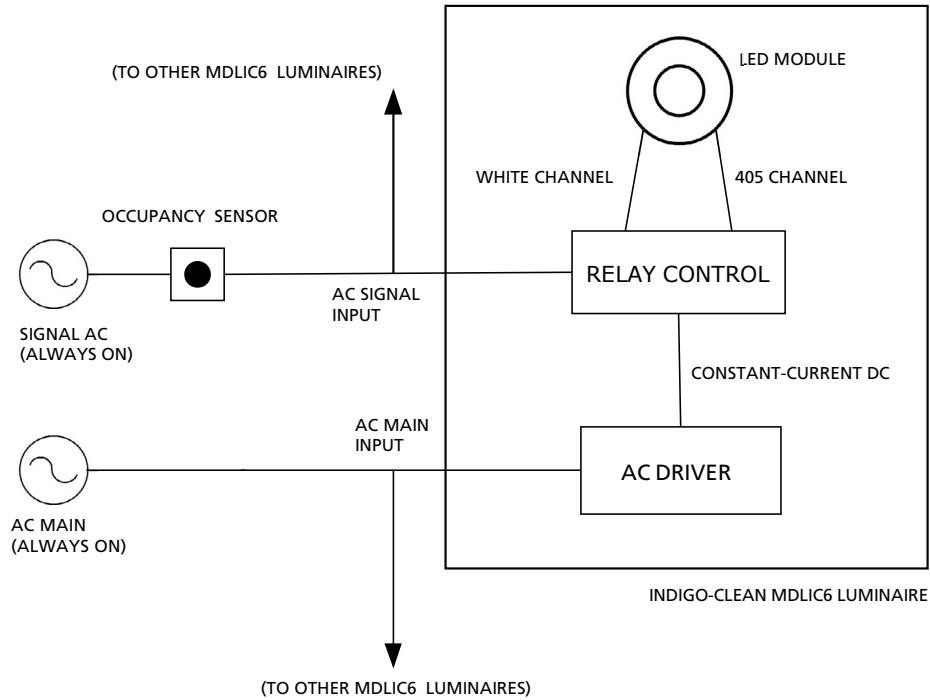
www.kenall.com

P: 800-4-Kenall

F: 262-891-9701

10200 55th Street Kenosha, Wisconsin 53144

When you see this image, you will know the Kenall product shown or described is designed and manufactured in the USA with components purchased from US suppliers, and meets the Buy American requirements under the ARRA. Kenall has not determined the origin of its domestically purchased components or the subcomponents thereof. May be covered by patents found at www.kenall.com/patents. Content of specification sheets is subject to change; please consult www.kenall.com for current product details. © 2015 Kenall Mfg. Co. All rights reserved.



CONTROL LOGIC DIAGRAM

AC MAIN INPUT	AC SIGNAL INPUT	LIGHTING OUTPUT MODE
OFF	OFF	OFF
OFF	ON	OFF
ON	OFF	405 MODE
ON	ON	WHITE MODE

CUSTOMER SERVICE

For technical assistance, call 1-800-4KENALL (1-800-453-6255). For additional instructions, go to www.kenall.com/Installs

WARRANTY

For warranty information visit www.kenall.com/Resources/Certified-Performance-Warranties



www.kenall.com

P: 800-4-Kenall

F: 262-891-9701

10200 55th Street Kenosha, Wisconsin 53144

When you see this image, you will know the Kenall product shown or described is designed and manufactured in the USA with components purchased from US suppliers, and meets the Buy American requirements under the ARRA. Kenall has not determined the origin of its domestically purchased components or the subcomponents thereof. May be covered by patents found at www.kenall.com/patents. Content of specification sheets is subject to change; please consult www.kenall.com for current product details. © 2015 Kenall Mfg. Co. All rights reserved.