

M4SEDIC/CSEDOIC SERIES

IMPORTANT SAFEGUARDS

When using electrical equipment, basic safety precautions should always be followed, including the following:

THIS PRODUCT MUST BE INSTALLED IN ACCORDANCE WITH THE APPLICABLE INSTALLATION CODE BY A PERSON FAMILIAR WITH THE CONSTRUCTION AND OPERATION OF THE PRODUCT AND THE HAZARDS INVOLVED. DISCONNECT POWER TO ALL CIRCUITS BEFORE WIRING FIXTURE. INSTALL IN ACCORDANCE WITH ALL NATIONAL, STATE, AND LOCAL CODES. DO NOT CONNECT TO AN UNGROUNDED SUPPLY. READ ALL FIXTURE MARKINGS AND LABELS TO ENSURE CORRECT INSTALLATION OF FIXTURE. SUPPLEMENTAL INSTRUCTIONS MAY BE LOCATED ON THE FIXTURE, IN ADDITION TO THIS INSTRUCTION SHEET, REGARDING ORIENTATION, OR MOUNTING RESTRICTIONS.

SAVE THESE INSTRUCTIONS

INSTALLATION INSTRUCTIONS

Install in compliance with the National Electric Code, any applicable local codes and any specific instructions given on the luminaire labels. If installing in conjunction with any additional options and/or accessories, also refer to the respective instruction sheets. For installation only by a qualified electrician.

NOTE: To maintain the ratings and approvals noted on the fixture nameplate, any fittings or mounting hardware supplied with this fixture, must be used with this fixture. The sealed wireway (if option selected) shipped with the fixture must also be used with the wiring method selected to maintain the integrity of the fixture.

RECESSED FLANGE

NOTE: If the Install Frame option (IF) is specified, see supplemental instructions provided with the Install Frame.

1. Disconnect facility power to the electric supply leads.
2. To ensure an adequate seal between the flange and the ceiling system, it is important to have a square opening and a flat ceiling surface. When gypsum is used as the base material it should have adequate thickness to resist bowing. See appropriate specification sheet or contact Kenall directly for recommended ceiling cutout dimension. The cutout opening should be accurate to within a 1/16 of an inch.
3. Swing arm brackets are used to mount fixture to ceiling structure. After creating the ceiling cutout, frame the opening on the plenum side of the ceiling. See Figure 1.
4. Framing around the entire opening is recommended and should start at the rough opening. The minimum thickness of the ceiling material plus the frame material is 1-½ inches. The maximum thickness of the ceiling and framing material is 3 inches. Typically, 1-5/8 Unistrut® is used to frame the opening because of its straightness, but straight lumber can also be used (framing material by others).
5. Gypsum board shall be secured to the framing material around the opening. The ceiling surface around the opening shall be flat and smooth and not run (deviate from a straight edge) more than 1/32 inch over 2 feet. The opening should always be cut into whole pieces of gypsum. Ceiling seams and joints shall be outside of fixture cutouts. Structural members running under the gypsum shall be whole pieces around the cutouts and run the length of the cutout, not just under the swing arm bracket.
6. Fully remove door assembly from housing (including aircraft cable support) to gain access to swing-out arm screws during install. Set door aside in safe location.
7. Remove rear wiring access plate and prepare for connection to flexible raceway system. Wire access plate provided with one 7/8" hole and one 7/8" knock-out.
8. Place a continuous bead of approved* caulk on the back side of the housing flange.
9. With luminaire in range of flexible conduit and attached access plate, complete all wiring connections. Attach Hot to black lead, neutral to white lead and ground to green lead. Connect recommended dimmer (Lutron Diva Series, DVSTV and Lutron Nova T, NTSTV-DV) to purple (+) lead and pink (-) lead. Connect leads from Kenall IC100 (M4SEDIC) or IC150 (CSEDOIC) controller to yellow (+) lead and brown (-) lead. See additional wiring instructions if an integral emergency battery backup (LEL) system is included.
10. Close wire access plate and fasten all retention screws to fully seat integrated gasket.
11. Raise luminaire into ceiling opening and turn each of the four (4) swing arm screws approximately ½ turn to swing the arm away from the housing and then lower the fixture, letting the swing arm brackets come to rest on framing.

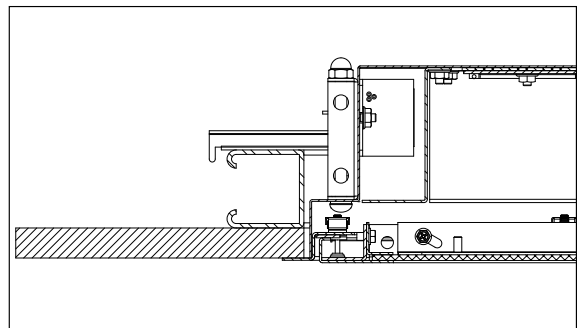


Figure 1

* RTV-108 room temperature vulcanizing silicone, or a type approved by the building owner or consulting engineer for the application



12. Continue tightening swing arm screws evenly until the fixture is firmly and uniformly seated against the ceiling surface.
13. Suspend door assembly and reinstall aircraft cable supports. Position door frame into housing opening and start all screws by hand. Evenly tighten all screws to seal door frame to housing.
14. Complete remaining luminaire installations, connect power to system and test for functionality.

RECESSED GRID

1. Fixture is designed for use with 1.00"/1.50" T bar grid systems with vertical grid T thickness of less than ¼ inch with a maximum height of 1.50" inches. Grid systems can be installed with standard 12, 24 or 48 inch centerline spacing of grid.

NOTE: For all typical installations, the door assembly is to remain installed during installation procedure.

2. Fixture housing lays into grid. Verify four (4) swing arms in the stowed position as shown in Figure 2 (required to maintain fixture IP rating). If securing fixture to the superstructure with hanger wire (by others), loop wire through holes on swing arm attach bracket.
3. Loosen screws from the wire access plate on top of the luminaire and open cover.
4. Connect the appropriate flexible raceway system to the wiring access hole. An additional 7/8" KO is provided, to be used as needed.
5. Complete wiring. Attach Hot to black lead, neutral to white lead and ground to green lead. Connect recommended dimmer (Lutron Diva Series, DVSTV and Lutron Nova T, NTSTV-DV) to purple (+) lead and pink (-) lead. Connect leads from Kenall IC100 (M4SEDIC) or IC150 (CSEDOIC) controller to yellow (+) lead and brown (-) lead. See additional wiring instructions if an integral emergency battery backup (LEL) system is included.
6. Close wire access plate and fasten all retention screws to fully seat integrated gasket.
7. Complete remaining luminaire installations, connect power to system and test for functionality.

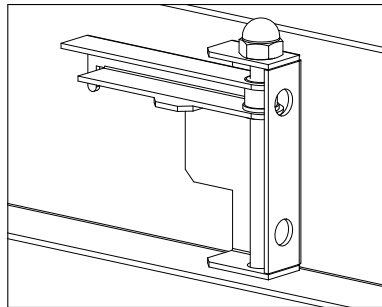


Figure 2

CUSTOMER SERVICE

For technical assistance, call 1-800-4KENALL (1-800-453-6255).

WARRANTY

For warranty information visit www.kenall.com/Resources/Certified-Performance-Warranties



www.kenall.com | P: 800-4-Kenall | F: 262-891-9701 | 10200 55th Street Kenosha, Wisconsin 53144, USA

This product complies with the Buy American Act: manufactured in the United States with more than 50% of the component cost of US origin. It may be covered by patents found at www.kenall.com/patents. Content of specification sheets is subject to change; please consult www.kenall.com for current product details. ©2019 Kenall Mfg. Co.

A brand of Legrand