

LTSIU SERIES

IMPORTANT SAFEGUARDS

When using electrical equipment, basic safety precautions should always be followed, including the following:

THIS PRODUCT MUST BE INSTALLED IN ACCORDANCE WITH THE APPLICABLE INSTALLATION CODE BY A PERSON FAMILIAR WITH THE CONSTRUCTION AND OPERATION OF THE PRODUCT AND THE HAZARDS INVOLVED. CE PRODUIT DOIT ÊTRE INSTALLÉ SELON LE CODE D'INSTALLATION PERTINENT, PAR UNE PERSONNE QUI CONNAÎT BIEN LE PRODUIT ET SON FONCTIONNEMENT AINSI QUE LES RISQUES INHÉRENTS. DISCONNECT POWER TO ALL CIRCUITS BEFORE WIRING FIXTURE. INSTALL IN ACCORDANCE WITH ALL NATIONAL, STATE, AND LOCAL CODES. DO NOT CONNECT TO AN UNGROUNDED SUPPLY. READ ALL FIXTURE MARKINGS AND LABELS TO ENSURE CORRECT INSTALLATION OF FIXTURE. SUPPLEMENTAL INSTRUCTIONS MAY BE LOCATED ON THE FIXTURE, IN ADDITION TO THIS INSTRUCTION SHEET, REGARDING ORIENTATION, OR MOUNTING RESTRICTIONS.



SAVE THESE INSTRUCTIONS

The LuxTran LTSIU series luminaires contains sensitive electronics. Take care to avoid damage by improper handling or static electricity discharge (ESD). Either type of damage could render the system inoperable or cause latent failure.

INSTALLATION INSTRUCTIONS

1. Secure fixture to wall or ceiling using user supplied hardware. Slots for 3/8 bolts are provided in the mounting brackets. See Figure 1.

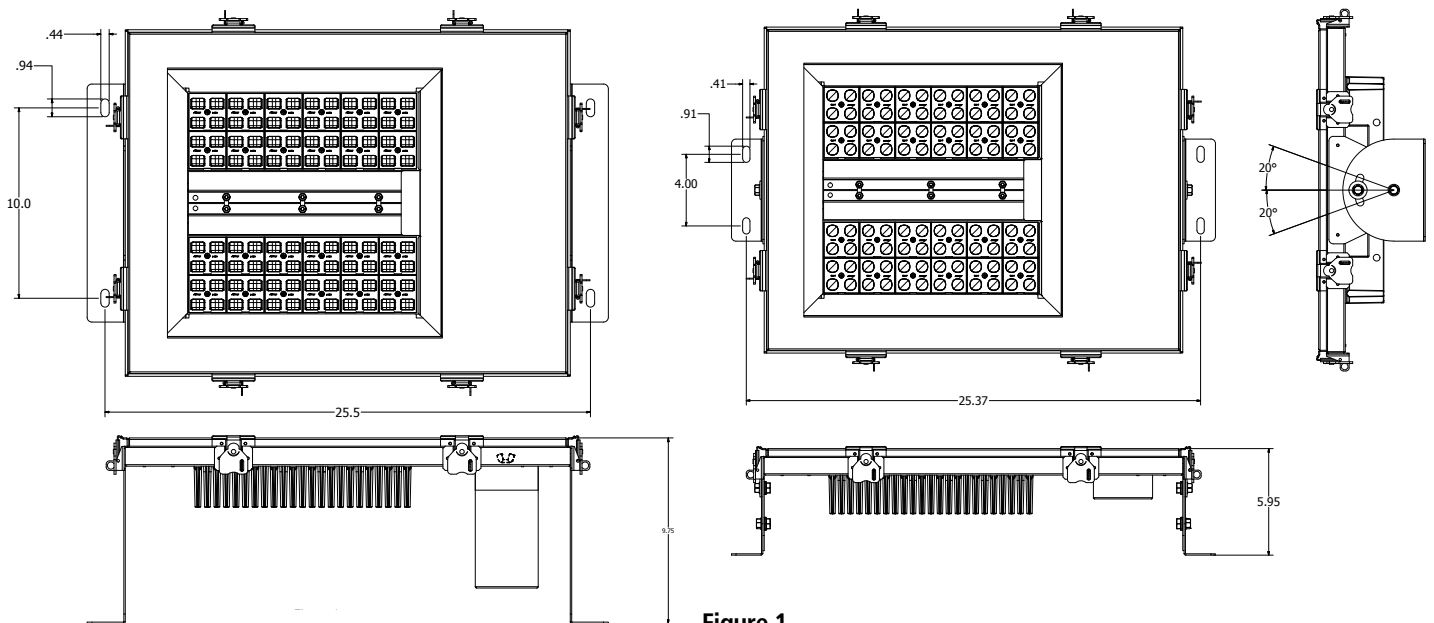
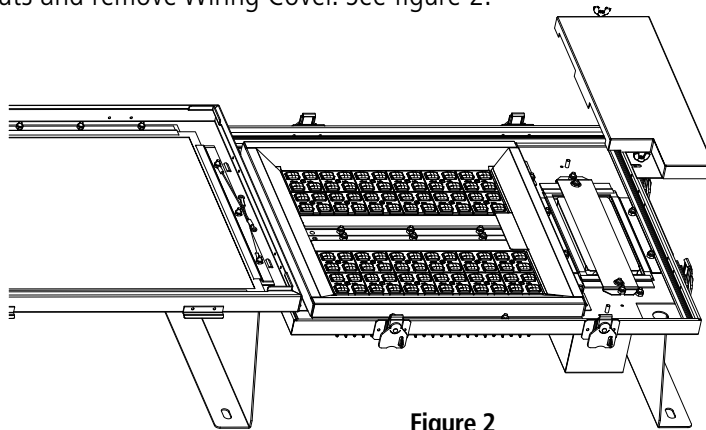


Figure 1

NOTE: If the fixture has directional optics, note the label indicating the direction of light and install appropriately.



2. Rotate latches and open door, which is retained by stainless steel cables.
3. Loosen wing nuts and remove Wiring Cover. See figure 2.



**Figure 2**

4. Connect weather tight electrical service to 7/8 dia. opening provided.
5. Connect electrical service:
  - Black- input line, 120-277VAC or 277-480VAC (refer to label for correct input voltage)
  - White- Neutral
  - Copper- ground
6. Replace Wiring Cover and secure with wing nuts.
7. Close door and secure rotating latches.

## **SERVICE INSTRUCTIONS**

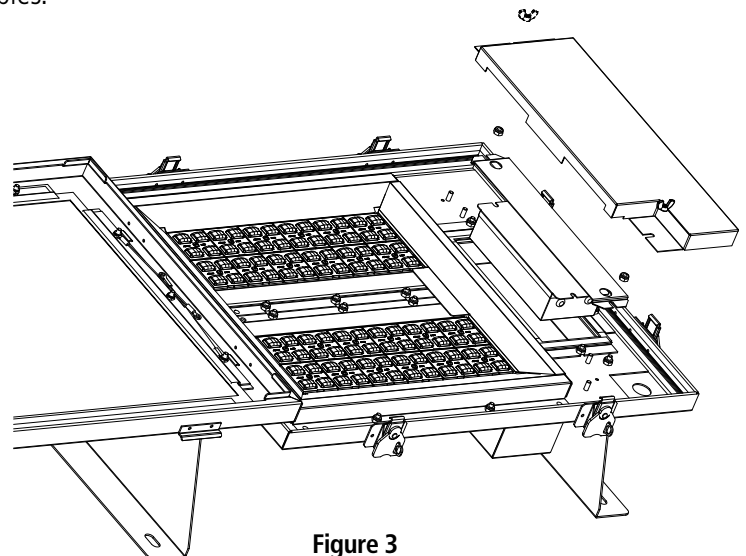
LTSIU series LED modules are not field replacable.

LED module replacement may be done after the fixture is removed from service.

**Before beginning any service operation, be sure the power to the fixture is off.**

### **To replace an LED driver-**

1. Open door, which is retained by stainless steel cables.
2. Loosen wing nuts and remove Wiring Cover. See Figure 3.
3. Disconnect the driver to be replaced.
4. Remove the retaining strap which secures the driver. See figure 3.
5. Install new driver and secure using restraining strap.
6. Connect to LED modules following the wiring diagram for the particular fixture.



**Figure 3**



**To replace LED modules-**

1. Open door, which is retained by stainless steel cables.
2. Loosen wing nuts and remove Wiring Cover. See Figure 2.
3. Remove reflectors and disconnect LED module leads. See Figure 4.
4. Remove screws securing LED module.

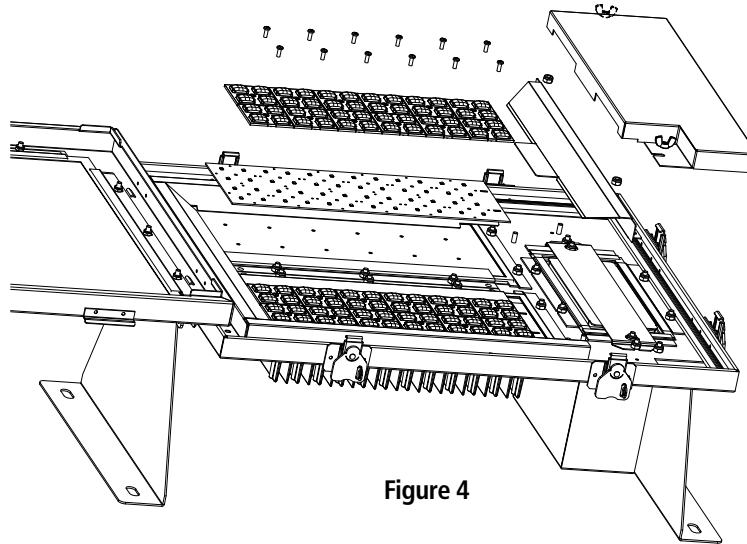
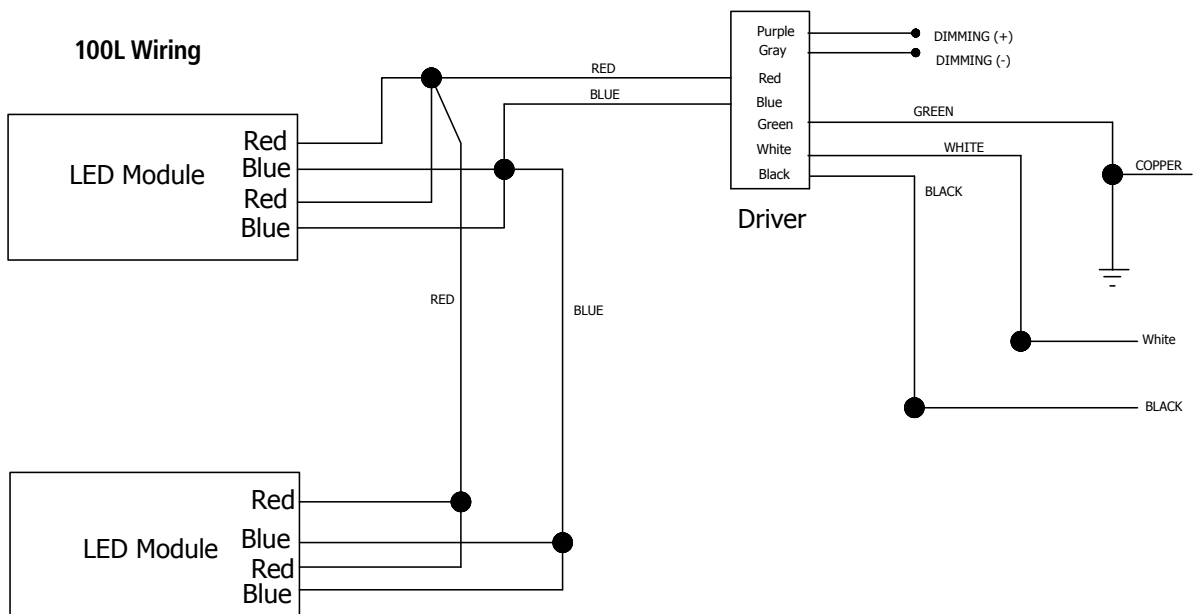


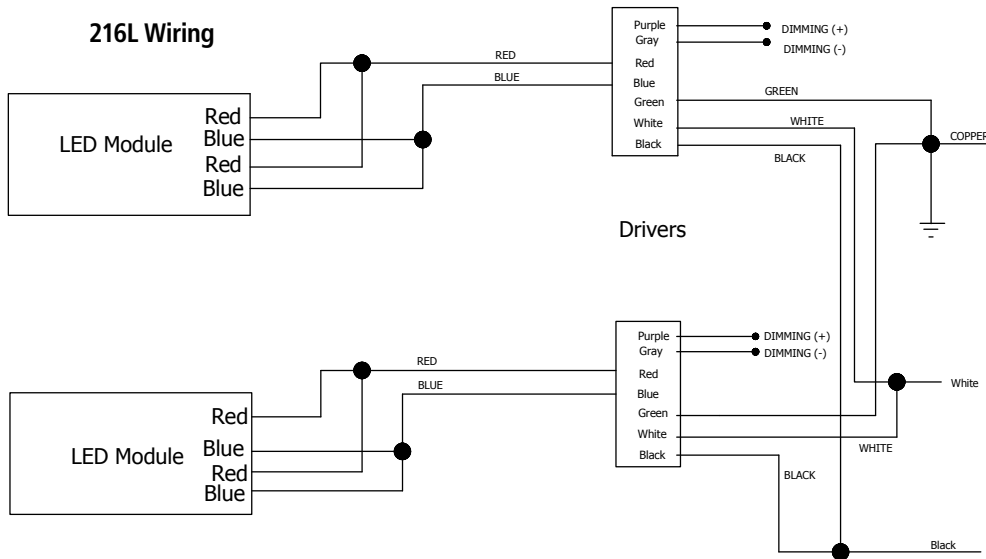
Figure 4

5. Secure new LED module by re-installing removed screws.
6. Attach leads and secure reflectors.
7. Re-install wiring cover and door.

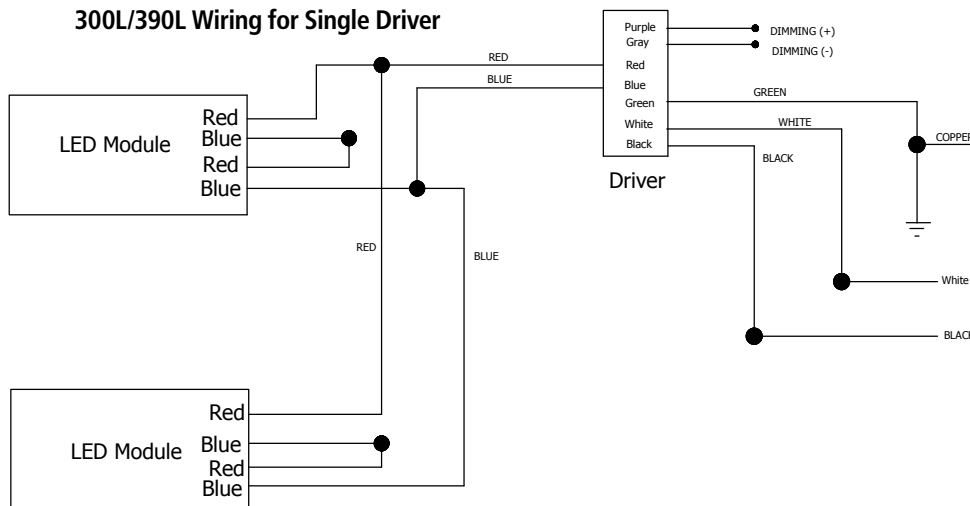
**Wiring Diagrams**



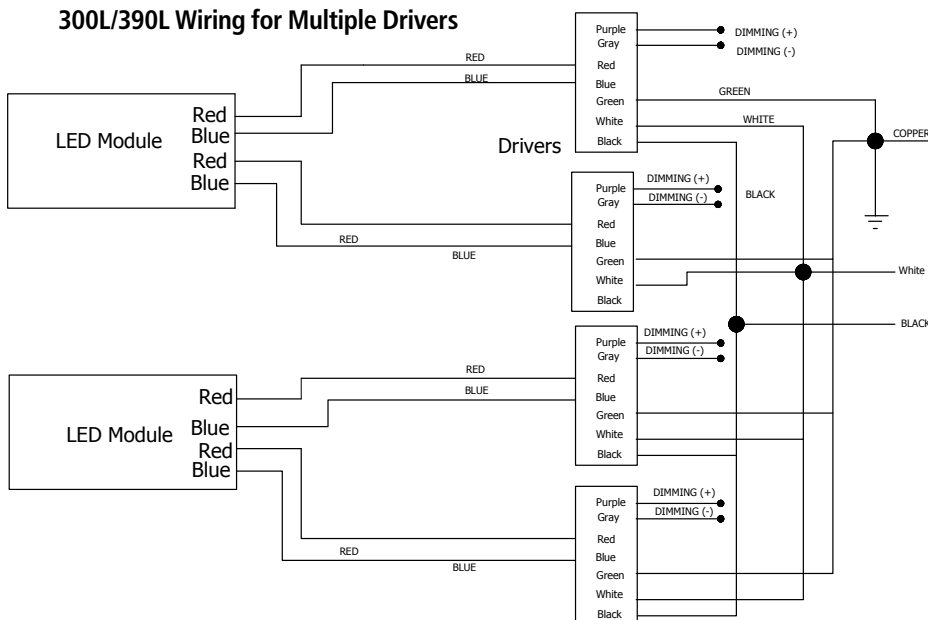
**216L Wiring**



**300L/390L Wiring for Single Driver**



**300L/390L Wiring for Multiple Drivers**



www.kenall.com | P: 800-4-Kenall | F: 262-891-9701 | 10200 55th Street Kenosha, Wisconsin 53144, USA

A brand of **legrand**

This product complies with the Buy American Act: manufactured in the United States with more than 50% of the component cost of US origin. It may be covered by patents found at [www.kenall.com/patents](http://www.kenall.com/patents). Content of specification sheets is subject to change; please consult [www.kenall.com](http://www.kenall.com) for current product details. ©2019 Kenall Mfg. Co.

## CUSTOMER SERVICE

---

For technical assistance, call 1-800-4KENALL (1-800-453-6255).

## WARRANTY

---

For warranty information visit [www.kenall.com/Resources/Certified-Performance-Warranties](http://www.kenall.com/Resources/Certified-Performance-Warranties)

