

**LTL SERIES**

**IMPORTANT SAFEGUARDS**

When using electrical equipment, basic safety precautions should always be followed, including the following:

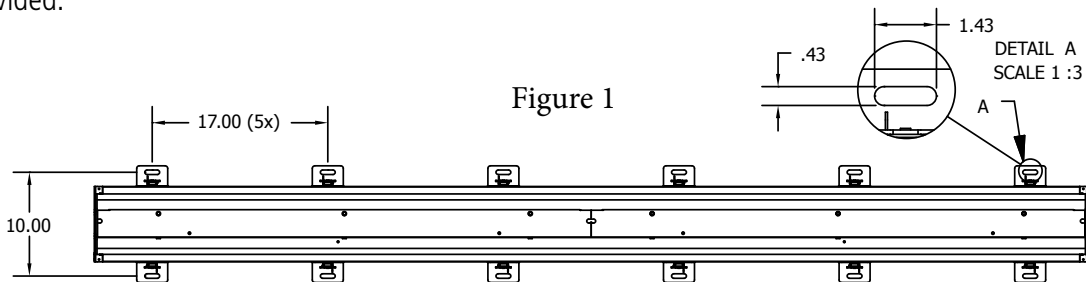
THIS PRODUCT MUST BE INSTALLED IN ACCORDANCE WITH THE APPLICABLE INSTALLATION CODE BY A PERSON FAMILIAR WITH THE CONSTRUCTION AND OPERATION OF THE PRODUCT AND THE HAZARDS INVOLVED. CE PRODUIT DOIT ÊTRE INSTALLÉ SELON LE CODE D'INSTALLATION PERTINENT, PAR UNE PERSONNE QUI CONNAÎT BIEN LE PRODUIT ET SON FONCTIONNEMENT AINSI QUE LES RISQUES INHÉRENTS. DISCONNECT POWER TO ALL CIRCUITS BEFORE WIRING FIXTURE. INSTALL IN ACCORDANCE WITH ALL NATIONAL, STATE, AND LOCAL CODES. DO NOT CONNECT TO AN UNGROUNDED SUPPLY. READ ALL FIXTURE MARKINGS AND LABELS TO ENSURE CORRECT INSTALLATION OF FIXTURE. SUPPLEMENTAL INSTRUCTIONS MAY BE LOCATED ON THE FIXTURE, IN ADDITION TO THIS INSTRUCTIONS SHEET, REGARDING ORIENTATION, OR MOUNTING RESTRICTIONS.

**SAVE THESE INSTRUCTIONS**

The LuxTran LTL series luminaires contains sensitive electronics. Take care to avoid damage by improper handling or static electricity discharge (ESD). Either type of damage could render the system inoperable or cause latent failure. LuxTran LTL Series Luminaires are powered by RD700 distributed DC driver system; remotely-located for servicing convenience.

**INSTALLATION INSTRUCTIONS**

1. Rotate latches and open door.
2. Remove air-craft cables and remove door(s) completely.
3. Secure fixtures to wall or ceiling using user supplied hardware. 1.43" x .43" slots in mounting brackets are provided.



Row Mount View

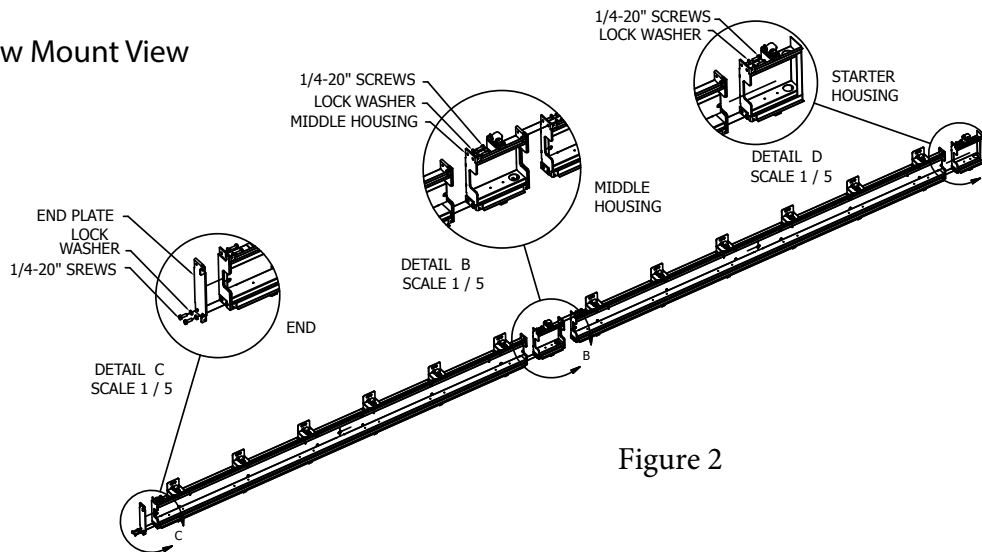


Figure 2



4. Loosen screws and remove raceway cover.

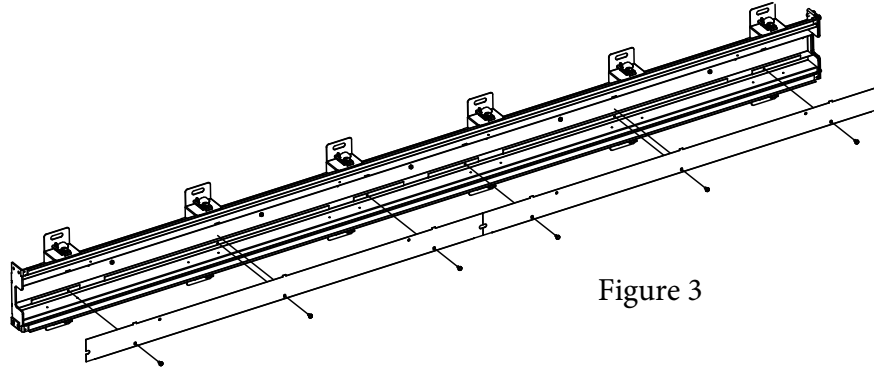


Figure 3

5. Make connections to remote driver output leads

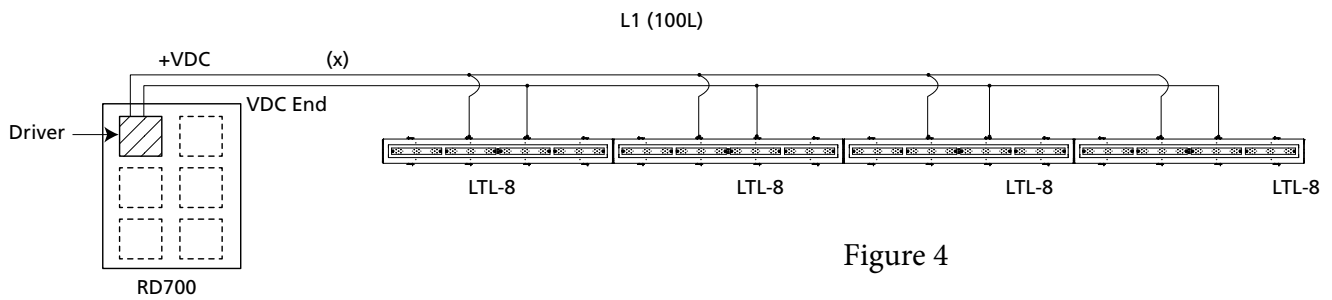


Figure 4

6. Install raceway cover and secure with screws.

7. Install joiner brackets.

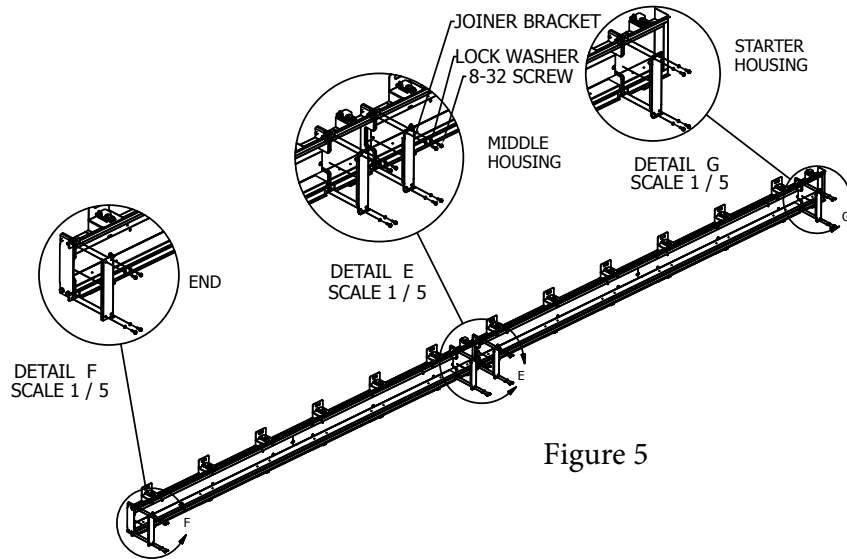


Figure 5

8. Attach door(s) to housing with air-craft cables.
9. Close door (s) and secure rotating latches.

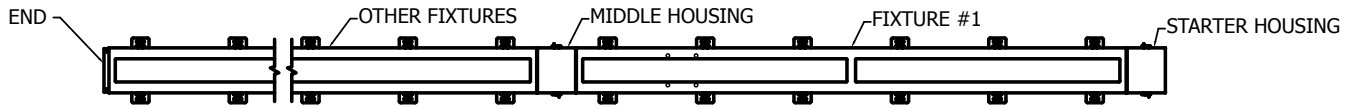


Figure 6

## CUSTOMER SERVICE

For technical assistance, call 1-800-4KENALL (1-800-453-6255).

## WARRANTY

For warranty information visit [www.kenall.com/Resources/Certified-Performance-Warranties](http://www.kenall.com/Resources/Certified-Performance-Warranties)

