

LPS SERIES – SEMI-RECESSED MOUNT – REMODEL CONSTRUCTION

IMPORTANT SAFEGUARDS

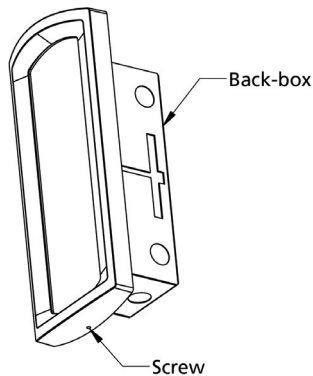
When using electrical equipment, basic safety precautions should always be followed, including the following:

THIS PRODUCT MUST BE INSTALLED IN ACCORDANCE WITH THE APPLICABLE INSTALLATION CODE BY A PERSON FAMILIAR WITH THE CONSTRUCTION AND OPERATION OF THE PRODUCT AND THE HAZARDS INVOLVED. DISCONNECT POWER TO ALL CIRCUITS BEFORE WIRING FIXTURE. INSTALL IN ACCORDANCE WITH ALL NATIONAL, STATE, AND LOCAL CODES. DO NOT CONNECT TO AN UNGROUNDED SUPPLY. READ ALL FIXTURE MARKINGS AND LABELS TO ENSURE CORRECT INSTALLATION OF FIXTURE. SUPPLEMENTAL INSTRUCTIONS MAY BE LOCATED ON THE FIXTURE, IN ADDITION TO THIS INSTRUCTION SHEET, REGARDING ORIENTATION, OR MOUNTING RESTRICTIONS.

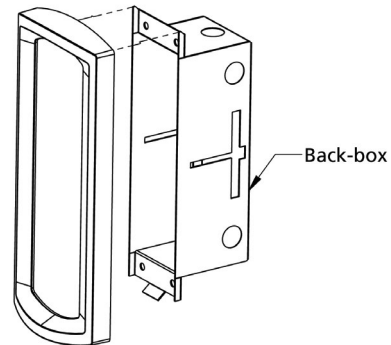
SAVE THESE INSTRUCTIONS

INSTALLATION INSTRUCTIONS

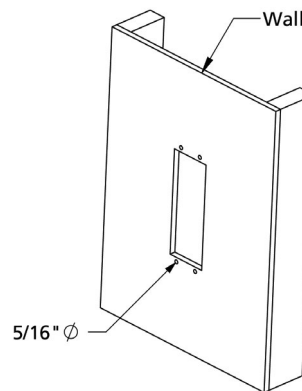
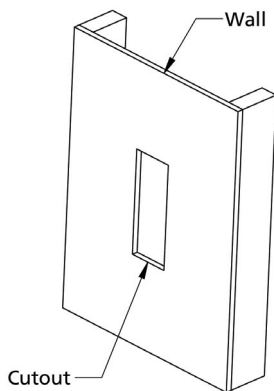
1. Back out screw(s) at bottom of housing until back-box can be easily removed.



2. Remove back-box.

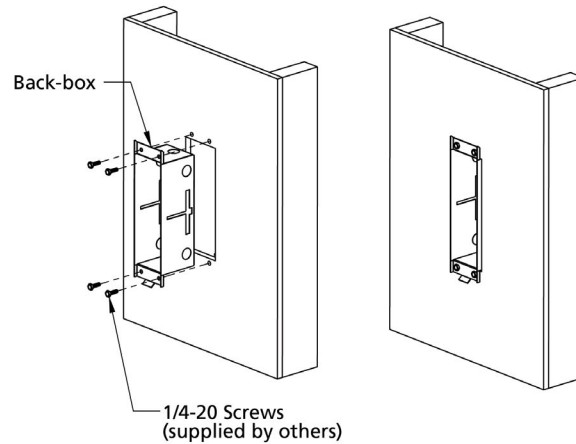


3. Cut a rectangular hole in the wall and drill four (4) 5/16" holes. Use the back-box as a template or see Spec Sheet for dimensions.

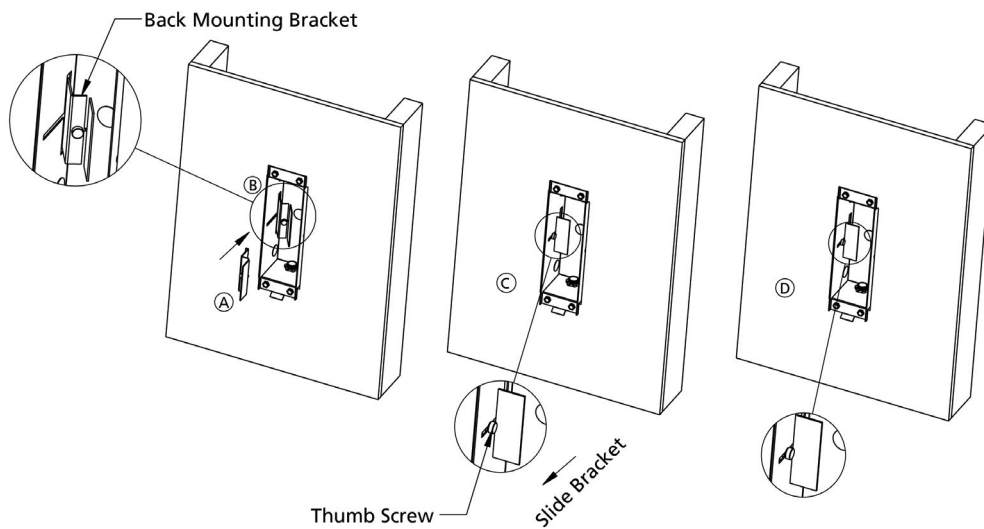


4. Mount Back-box. Insert the back-box into the cutout making sure that the hooks are pointing up. Attach back-box using anchors appropriate for surface, 1/4-20 screws and nuts (supplied by others). Remove knockouts as needed.

Note: Remember to use non-ferrous hardware when installing MRI fixtures.



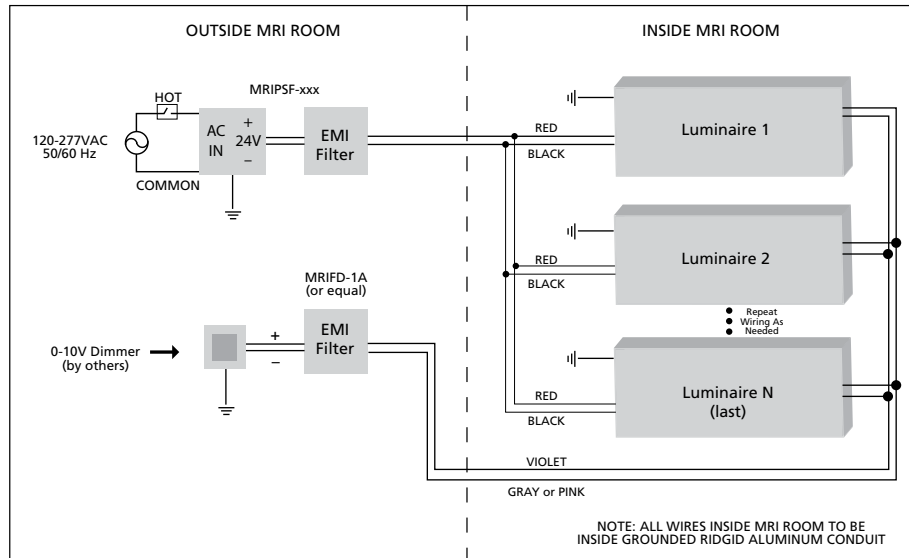
5. Install back mounting brackets.
 - a-b. Insert back mounting bracket as shown below.
 - c. Slide bracket towards the wall and tight thumb screw.
 - d. Break metal tab by twisting it back-and-forth. Repeat these steps to install the second bracket.



7. Make electrical connections. Disconnect facility power to the electric power supply leads. Connect fixture leads to power supply leads using connectors suitable for the gage and number of wires being used (not included).

MRI Fixtures:

- Install the MRIPSF remote power supply and EMI filter in accordance with the supplied installation instructions.
- If a 0-10V dimming circuit is to be connected, install at this time. The 0-10V dimmer must be installed outside the shielded MRI environment with the Kenall MRIFD-1A dimming line filter (or equivalent) installed in accordance with the supplied installation instructions. Kenall recommends the Lutron Diva (DVSTV) and Lutron Nova T (NTSTV-DV) series to ensure full range of dimming can be achieved.

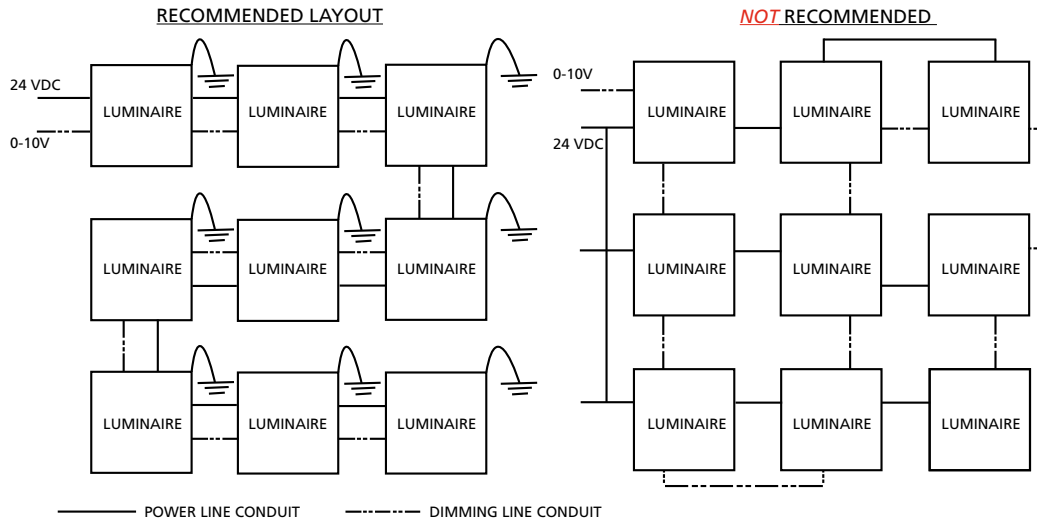


Single-Supply System Schematic

- Run DC wiring, equal in size and temperature rating to the filter input wiring, between the filter output cables and the first luminaire within the shielded room. Follow recommended wiring layout described within Single-Supply System Schematic. All wiring must be within completely-enclosed, grounded conduit suitable for an MRI environment. Any gaps, regardless of size, must be closed or wrapped in copper foil tape. Special attention should be paid to the wiring entry point into the shielded space. Class 1 wiring methods are required.
- Run the dimming signal wiring, equal in specification to the filter input wiring, between the filter output cables and the first luminaire within the shielded room. Maintain polarity between input and output sides of the filter and follow wiring recommendation in Multi-Fixture Wiring Schematic. All wiring must be within completely enclosed, grounded conduit suitable for an MRI environment. Any gaps, regardless of size, must be closed or wrapped in copper foil tape. Special attention should be paid to the wiring entry point into the shielded space. Cap gray (or pink) and violet leads at luminaire(s) if dimming function is not implemented.

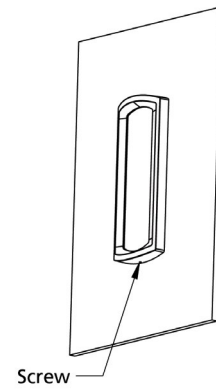
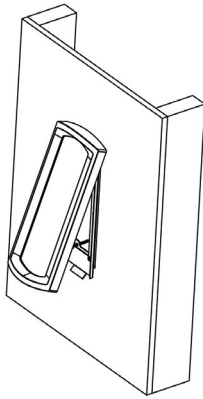


- Connect power on line voltage side and test system operation. Test operation of lighting system, including dimming functionality, during MRI machine idle mode and during scanning operations.



Multi-Fixture Wiring Schematic

- Fill out the Installation Registration Form and fax to Kenall at (262) 891-9701.
8. Top of housing bracket engages mounting hooks on back-box.
 9. Tighten screw at bottom of housing.



CUSTOMER SERVICE

For technical assistance, call 1-800-4KENALL (1-800-453-6255).

WARRANTY

For warranty information visit www.kenall.com/Resources/Certified-Performance-Warranties



www.kenall.com | P: 800-4-Kenall | F: 262-891-9701 | 10200 55th Street Kenosha, Wisconsin 53144, USA

This product complies with the Buy American Act: manufactured in the United States with more than 50% of the component cost of US origin. It may be covered by patents found at www.kenall.com/patents. Content of specification sheets is subject to change; please consult www.kenall.com for current product details. ©2019 Kenall Mfg. Co.

A brand of Legrand