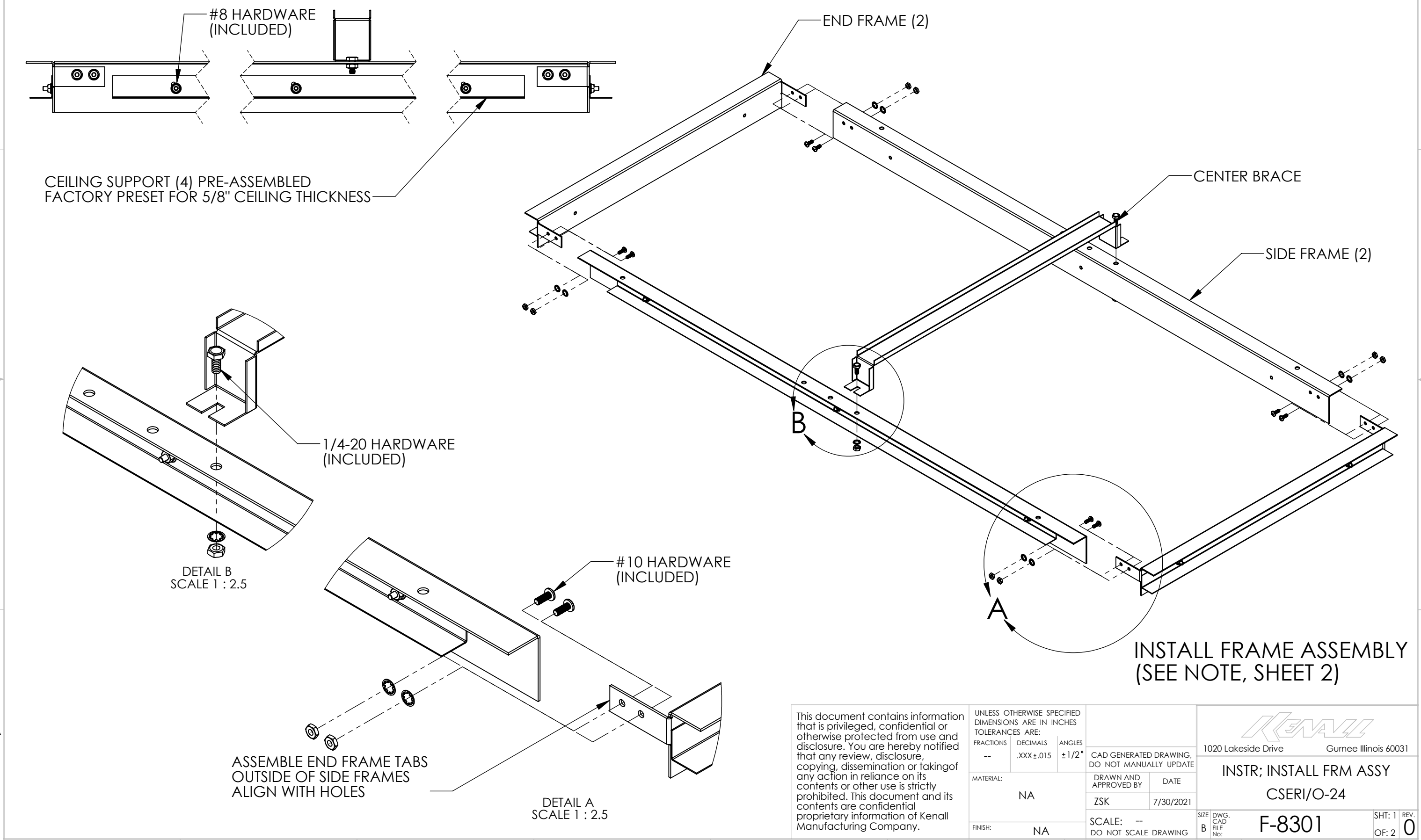


8 7 6 5 4 3 2 1

Existing Flat Part	S	I
---	No	No
Existing Form Part	S	I
---	No	No

REVISIONS				
REV.	ECN NO.	DESCRIPTION	BY	DATE



This document contains information that is privileged, confidential or otherwise protected from use and disclosure. You are hereby notified that any review, disclosure, copying, dissemination or taking of any action in reliance on its contents or other use is strictly prohibited. This document and its contents are confidential proprietary information of Kenall Manufacturing Company.

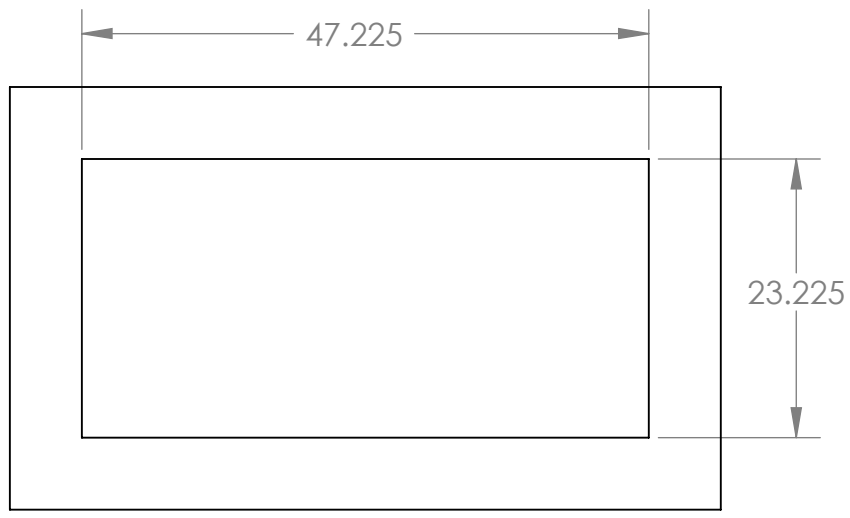
UNLESS OTHERWISE SPECIFIED DIMENSIONS ARE IN INCHES TOLERANCES ARE:		
FRACTIONS	DECIMALS	ANGLES
--	.XXX ± 0.15	± 1/2°
MATERIAL: NA		
FINISH: NA		
CAD GENERATED DRAWING, DO NOT MANUALLY UPDATE		
DRAWN AND APPROVED BY	DATE	
ZSK	7/30/2021	
SCALE: -- DO NOT SCALE DRAWING		

<b>KENALL</b>	
1020 Lakeside Drive	Gurnee Illinois 60031
<b>INSTR; INSTALL FRM ASSY</b>	
<b>CSERI/O-24</b>	
<b>F-8301</b>	SHT: 1 OF: 2
REV. <b>0</b>	

8 7 6 5 4 3 2 1

Existing Flat Part	S	I
---	No	No
Existing Form Part	S	I
---	No	No

**NOTE: INSTALL FRAME CAN BE PRE-ASSEMBLED AND INSERTED FROM ROOM SIDE IF SUFFICIENT OVERHEAD PLENUM CLEARANCE EXISTS.**

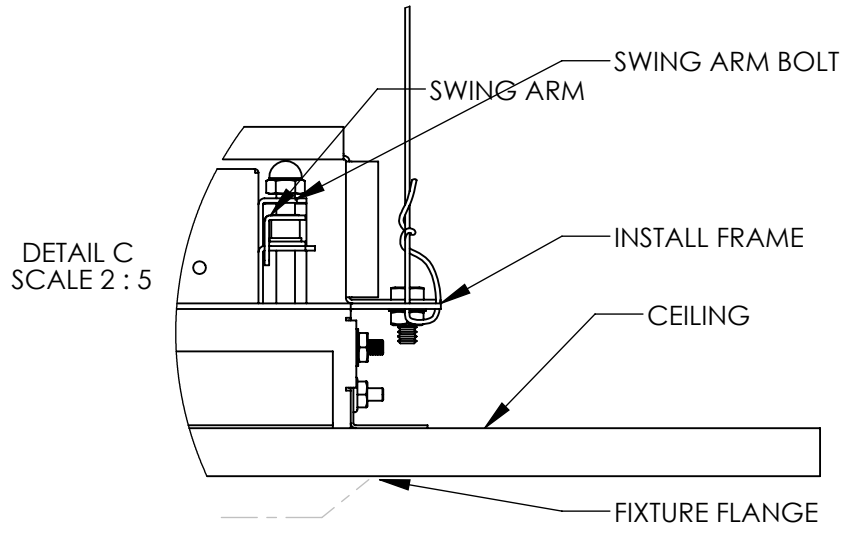
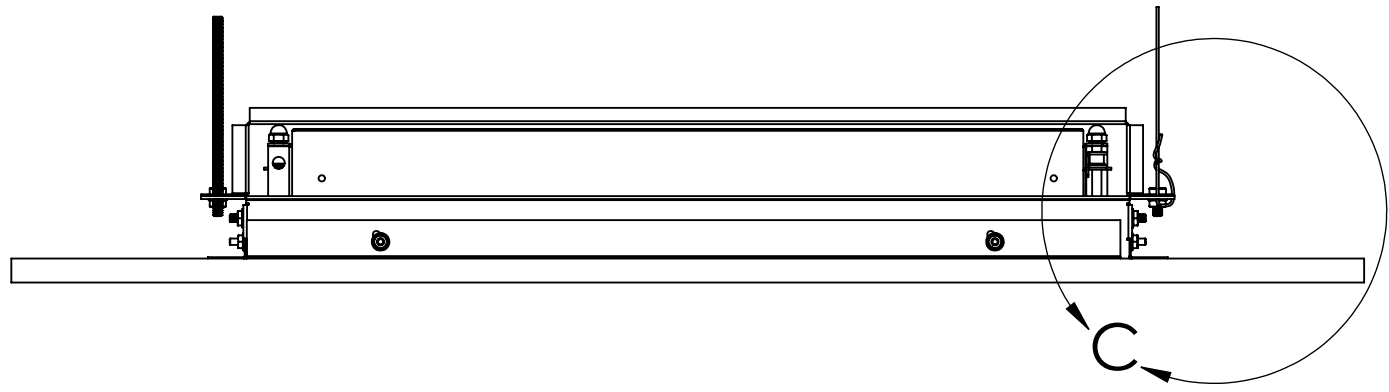
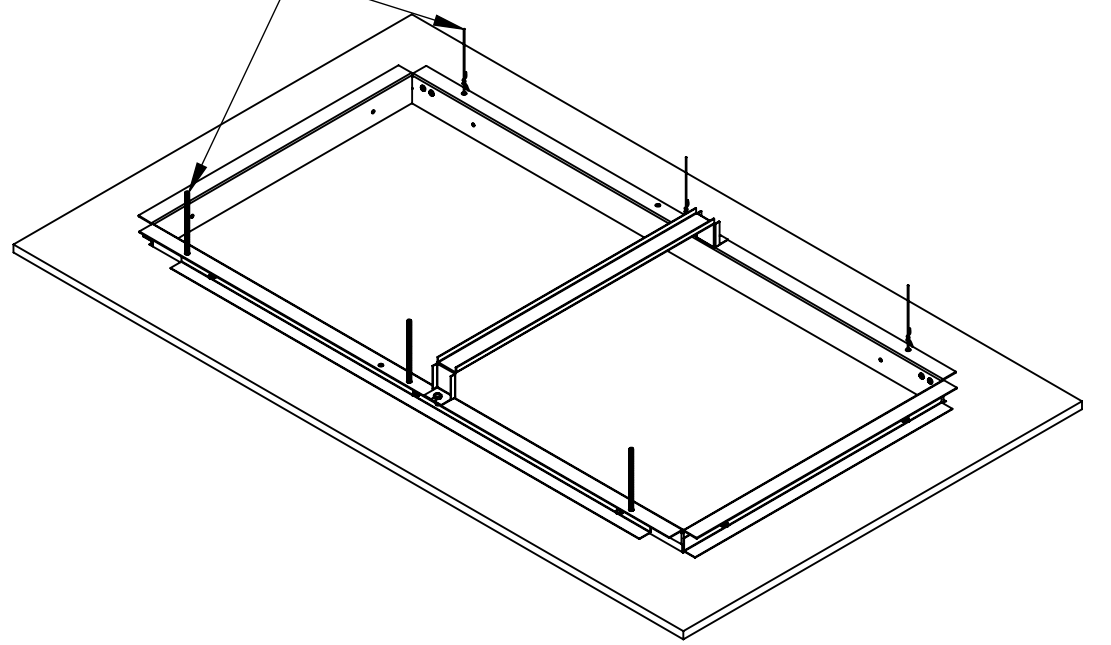
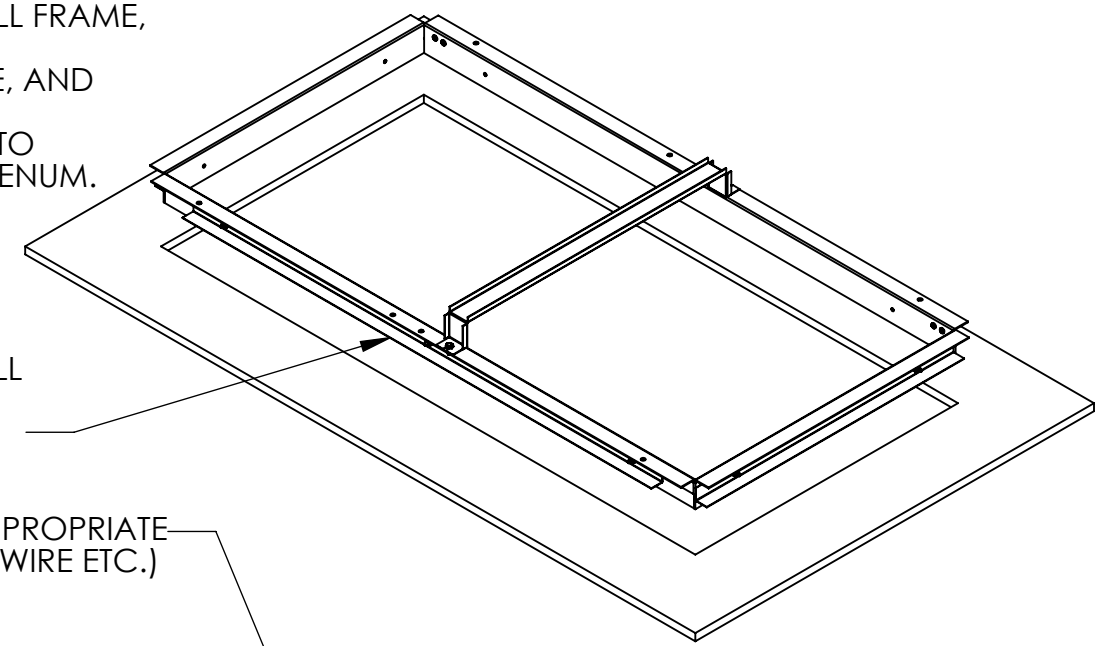


RECOMMENDED CEILING CUTOUT

IF PLENUM ACCESS IS AVAILABLE, PRE-ASSEMBLE INSTALL FRAME, AND LOWER INTO CEILING CUTOUT.  
 IF INSTALL FRAME IS TO BE INSTALLED FROM ROOM SIDE, AND INSUFFICIENT OVERHEAD PLENUM CLEARANCE EXISTS, LIFT END FRAMES, SIDE FRAMES AND CENTER BRACE INTO CEILING CUTOUT, AND ASSEMBLE TOGETHER WITHIN PLENUM.

ADJUST CEILING SUPPORTS (4) UNTIL BOTTOM OF INSTALL FRAME IS FLUSH WITH ROOM SIDE OF CEILING CUTOUT.  
 CEILING THICKNESS RANGE : 1/2" TO 3/4".

SECURE FRAME TO SUPERSTRUCTURE USING METHOD APPROPRIATE FOR THE INSTALLATION (E.G., THREADED ROD, HANGER WIRE ETC.) SUPPORTING METHOD AND HARDWARE BY OTHERS



DETAIL C  
SCALE 2 : 5

- RAISE FIXTURE INTO INSTALL FRAME
- TURN SWING ARM BOLTS (4) CLOCKWISE TO DEPLOY SWING ARMS AND ENGAGE INSTALL FRAME
- CONTINUE TURNING SWING ARM BOLTS CLOCKWISE UNTIL FIXTURE IS FIRMLY AND EVENLY SEATED AGAINST CEILING

This document contains information that is privileged, confidential or otherwise protected from use and disclosure. You are hereby notified that any review, disclosure, copying, dissemination or taking of any action in reliance on its contents or other use is strictly prohibited. This document and its contents are confidential proprietary information of Kenall Manufacturing Company.

UNLESS OTHERWISE SPECIFIED DIMENSIONS ARE IN INCHES TOLERANCES ARE:		
FRACTIONS	DECIMALS	ANGLES
--	.XXX±.015	±1/2°
MATERIAL:		CAD GENERATED DRAWING, DO NOT MANUALLY UPDATE
NA		DRAWN AND APPROVED BY
		DATE
		ZSK 7/30/2021
FINISH:		SCALE: -- DO NOT SCALE DRAWING
NA		

1020 Lakeside Drive Gurnee Illinois 60031	
<b>INSTR; INSTALL FRM ASSY</b>	
<b>CSERI/O-24</b>	
<b>F-8301</b>	SHT: 2 REV: 0