

IMPORTANT SAFEGUARDS

When using electrical equipment, basic safety precautions should always be followed, including the following:

THIS PRODUCT MUST BE INSTALLED IN ACCORDANCE WITH THE APPLICABLE INSTALLATION CODE BY A PERSON FAMILIAR WITH THE CONSTRUCTION AND OPERATION OF THE PRODUCT AND THE HAZARDS INVOLVED. DISCONNECT POWER TO ALL CIRCUITS BEFORE WIRING FIXTURE. INSTALL IN ACCORDANCE WITH ALL NATIONAL, STATE, AND LOCAL CODES. DO NOT CONNECT TO AN UNGROUNDED SUPPLY. READ ALL FIXTURE MARKINGS AND LABELS TO ENSURE CORRECT INSTALLATION OF FIXTURE. SUPPLEMENTAL INSTRUCTIONS MAY BE LOCATED ON THE FIXTURE, IN ADDITION TO THIS INSTRUCTION SHEET, REGARDING ORIENTATION, OR MOUNTING RESTRICTIONS.

CE PRODUIT DOIT ÊTRE INSTALLÉ SELON LE CODE D'INSTALLATION PERTINENT, PAR UNE PERSONNE QUI CONNAÎT BIEN LE PRODUIT ET SON FONCTIONNEMENT AINSI QUE LES RISQUES INHÉRENTS.

THE DOWNLIGHT CONTAINS SENSITIVE ELECTRONICS. TAKE CARE TO AVOID DAMAGE BY IMPROPER HANDLING OR STATIC ELECTRICITY DISCHARGE (ESD). EITHER TYPE OF DAMAGE COULD RENDER THE SYSTEM INOPERABLE OR CAUSE LATENT FAILURE.

SAVE THESE INSTRUCTIONS

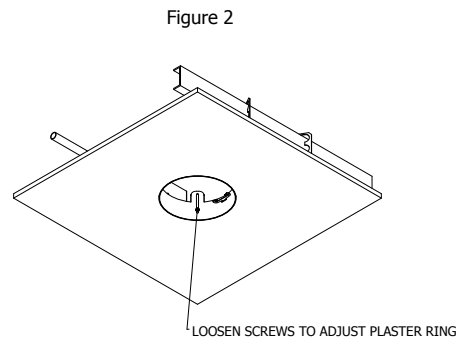
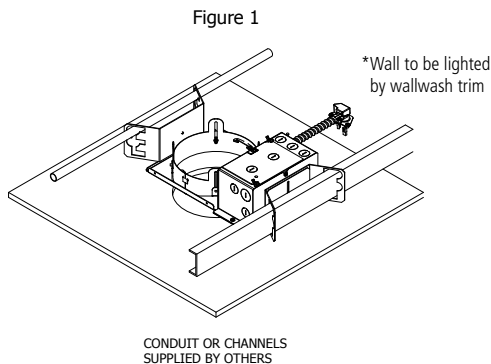
NOTE- If a wallwash trim is to be installed, the frame must be installed with the BX side parallel to the wall to be lighted. See Figure 1.

Note- 55L and 38C fixtures must be installed minimum 24" center to center, 12" from wall and have 3" clearance above the trim.

Recommended ceiling opening for trims with torsion springs (R or NF trim style): 7.125" Dia.

Recommended ceiling opening for trims secured with screws (FF trim style): 7.375" Dia

1. Insert ½" conduit or C channels, by others, into mounting brackets. Fig. 1
2. Secure the channels or conduit to framing members or grid.
3. Loosen two (2) screws in mounting brackets to adjust the height of the Rough-In frame to level with the bottom of the joists. Re-tighten when in position.
4. Remove an appropriate knockout and remove top cover by loosening wing nuts.
5. Install conduit and connectors to junction box.
6. Connect electrical service.
 - Black- line
 - White- Neutral
 - Green- Ground
7. Replace cover and secure tightening wing nuts.
8. Adjust plaster ring flush to finished ceiling by loosening (4) screws. Fig. 2. Slide ring to proper position and re-tighten screws.



www.kenall.com | P: 800-4-Kenall | F: 262-891-9701 | 10200 55th Street Kenosha, Wisconsin 53144, USA

A brand of **legrand**

This product complies with the Buy American Act: manufactured in the United States with more than 50% of the component cost of US origin. It may be covered by patents found at www.kenall.com/patents. Content of specification sheets is subject to change; please consult www.kenall.com for current product details. ©2019 Kenall Mfg. Co.

CUSTOMER SERVICE

For technical assistance, call 1-800-4KENALL (1-800-453-6255). For additional instructions, go to www.kenall.com/Installs

WARRANTY

For warranty information visit www.kenall.com/Resources/Certified-Performance-Warranties

