

**DLD SERIES**



**DLD1220**



**DLD1622**

**IMPORTANT SAFEGUARDS**

**When using electrical equipment, basic safety precautions should always be followed, including the following:**

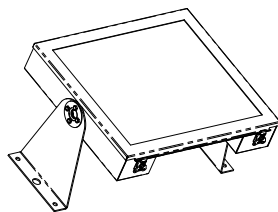
THIS PRODUCT MUST BE INSTALLED IN ACCORDANCE WITH THE APPLICABLE INSTALLATION CODE BY A PERSON FAMILIAR WITH THE CONSTRUCTION AND OPERATION OF THE PRODUCT AND THE HAZARDS INVOLVED. DISCONNECT POWER TO ALL CIRCUITS BEFORE WIRING FIXTURE. INSTALL IN ACCORDANCE WITH ALL NATIONAL, STATE, AND LOCAL CODES. DO NOT CONNECT TO AN UNGROUNDED SUPPLY. READ ALL FIXTURE MARKINGS AND LABELS TO ENSURE CORRECT INSTALLATION OF FIXTURE. SUPPLEMENTAL INSTRUCTIONS MAY BE LOCATED ON THE FIXTURE, IN ADDITION TO THIS INSTRUCTION SHEET, REGARDING ORIENTATION, OR MOUNTING RESTRICTIONS.

**SAVE THESE INSTRUCTIONS**

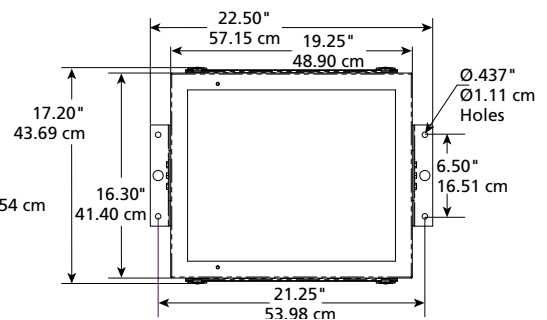
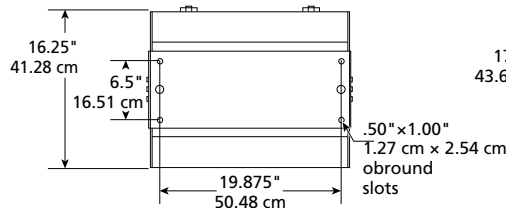
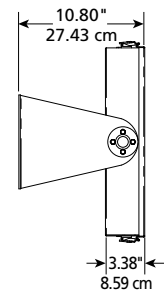
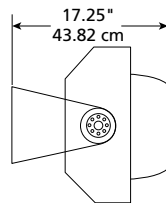
**INSTRUCTIONS**

**See Fixture Label for Restrictions**

1. Mount (2) brackets to mounting surface using 1/4-20 screws and appropriate anchors.
2. Assemble housing to brackets using four screws and one locking plate on each end. Aim luminaire between nadir (directly down) and horizontal as required.
3. Open door.
4. Remove electrical assembly.
5. Connect liquid tight fittings to threaded hole. Plug any unused hole. Make electrical connections.
6. Replace electrical assembly and install lamp.
7. Close and secure door.



**FIGURE 1**



**FIGURE 2**



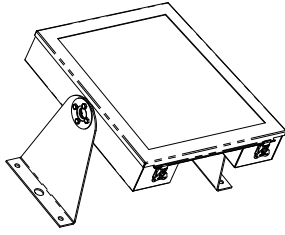


FIGURE 3

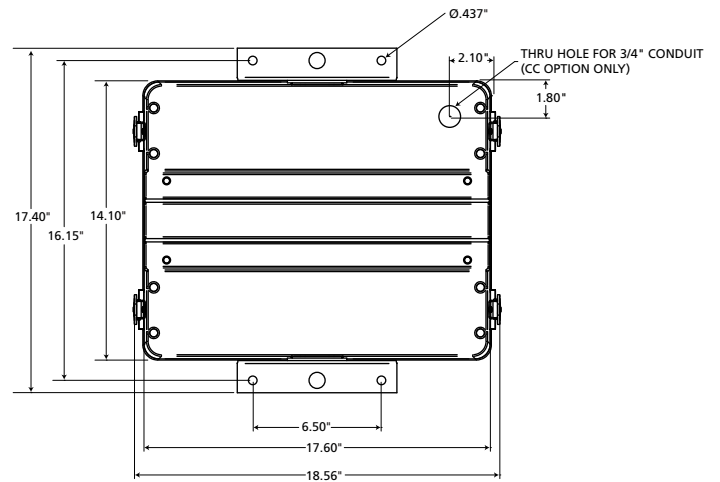
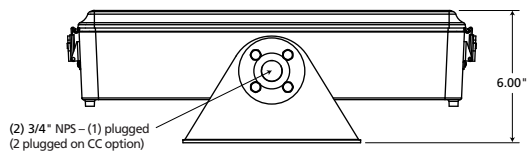
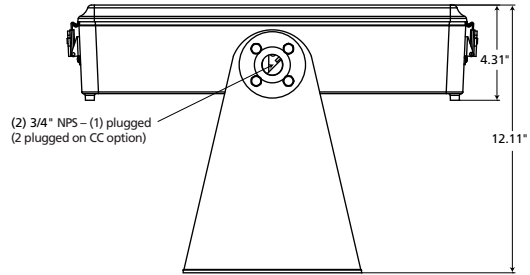


FIGURE 4

## CUSTOMER SERVICE

For technical assistance, call 1-800-4KENALL (1-800-453-6255).

## WARRANTY

For warranty information visit [www.kenall.com/Resources/Certified-Performance-Warranties](http://www.kenall.com/Resources/Certified-Performance-Warranties)



www.kenall.com | P: 800-4-Kenall | F: 262-891-9701 | 10200 55th Street Kenosha, Wisconsin 53144, USA

A brand of **legrand**

This product complies with the Buy American Act: manufactured in the United States with more than 50% of the component cost of US origin. It may be covered by patents found at [www.kenall.com/patents](http://www.kenall.com/patents). Content of specification sheets is subject to change; please consult [www.kenall.com](http://www.kenall.com) for current product details. ©2019 Kenall Mfg. Co.