

**IMPORTANT SAFEGUARDS**

When using electrical equipment, basic safety precautions should always be followed, including the following:

**THIS PRODUCT MUST BE INSTALLED IN ACCORDANCE WITH THE APPLICABLE INSTALLATION CODE BY A PERSON FAMILIAR WITH THE CONSTRUCTION AND OPERATION OF THE PRODUCT AND THE HAZARDS INVOLVED.**

**CE PRODUIT DOIT ÊTRE INSTALLÉ SELON LE CODE D'INSTALLATION PERTINENT, PAR UNE PERSONNE QUI CONNAÎT BIEN LE PRODUIT ET SON FONCTIONNEMENT AINSI QUE LES RISQUES INHÉRENTS.**

DISCONNECT POWER TO ALL CIRCUITS BEFORE WIRING FIXTURE. INSTALL IN ACCORDANCE WITH ALL NATIONAL, STATE, AND LOCAL CODES. DO NOT CONNECT TO AN UNGROUNDED SUPPLY. READ ALL FIXTURE MARKINGS AND LABELS TO ENSURE CORRECT INSTALLATION OF FIXTURE. SUPPLEMENTAL INSTRUCTIONS MAY BE LOCATED ON THE FIXTURE, IN ADDITION TO THIS INSTRUCTION SHEET, REGARDING ORIENTATION, OR MOUNTING RESTRICTIONS.

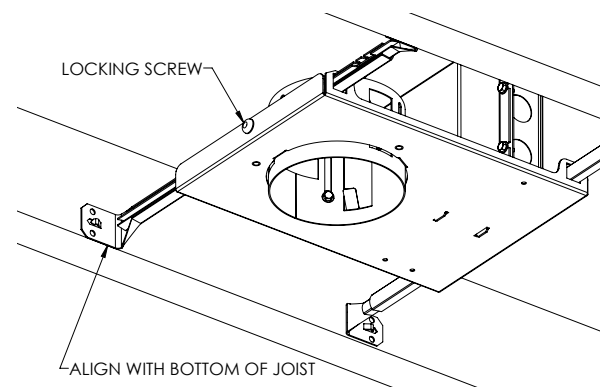
**SAVE THESE INSTRUCTIONS**

THE ENVELA DOWNLIGHT CONTAINS SENSITIVE ELECTRONICS. TAKE CARE TO AVOID DAMAGE BY IMPROPER HANDLING OR STATIC ELECTRICITY DISCHARGE (SED). EITHER TYPE OF DAMAGE COULD RENDER THE SYSTEM INOPERABLE OR CAUSE LATENT FAILURE.

**NEW CONSTRUCTION- DRYWALL CEILING** – RECOMMENDED CEILING CUTOUT – 4.125" DIAMETER

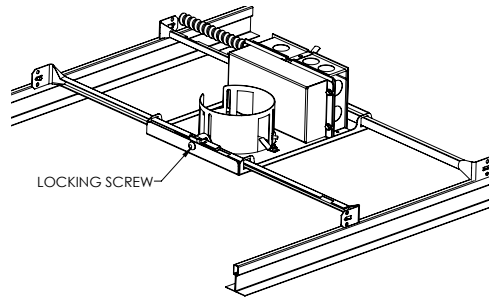
Note- 28L or 28T fixtures must be installed minimum 24" center to center, 12" from wall and have 1/2" clearance above the trim.

1. Loosen locking screws to extend hanger bars. See Figure 1.
2. Align bottom of hanger bar tabs to bottom of joist.
3. Secure luminaire hanger bars using nails or screws.
4. Position luminaire as required and lock position by tightening locking screws.
5. Remove junction box cover.
6. Remove appropriate 1/2" knockout(s) and connect to electrical service using approved wire connectors. Black to HOT supply, white to COMMON supply, green/copper to suitable GROUND. If dimming is to be utilized, violet to 10V+ supply, grey to 10V- supply.
7. Replace junction box cover.

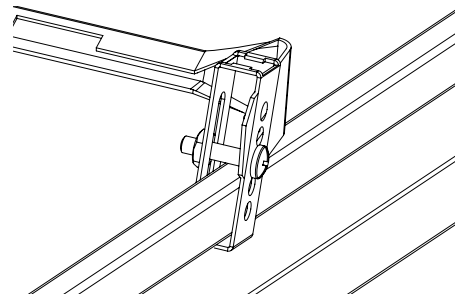
**FIGURE 1**

**GRID CEILING** – RECOMMENDED CEILING CUTOUT- 4.125" DIAMETER

1. Loosen locking screws to extend hanger bars. "See Figure 3.
2. Position luminaire as required and lock position by tightening locking screws.
3. Attach luminaire securely to grid using brackets, screws and nuts provided or wiring to grid members. See Figure 4
4. Remove junction box cover.
5. Remove appropriate 1/2" knockout(s) and connect to electrical service using approved wire connectors. Black to HOT supply, white to COMMON supply, green/copper to suitable GROUND. If dimming is to be utilized, violet to 10V+ supply, grey to 10V- supply.
6. Replace junction box cover.



**FIGURE 2**



**FIGURE 3**

**TRIM CONNECTION AND INSTALLATION**

1. With finished ceiling or tile in place, check position of locking springs attached to frame. Rotate springs if necessary so that they are against wall as shown in Figure 5.
2. Fasten conduit adapter to trim housing using the screw provided (see Figure 6).

NOTE- POSITION TRIM SO THAT SPRINGS ARE NOT ALIGNED WITH STEEL BRACKETS.

3. Install trim and press firmly to ceiling.
4. Check to ensure the gasket between the trim ring and ceiling is compressed.

**TRIM REMOVAL**

1. To remove trim, turn counter clockwise (left) until the locking springs rotate, freeing the trim.
2. Before re-installing the trim, rotate the locking springs back against the slot wall in the adjustment ring (See Figure 5).

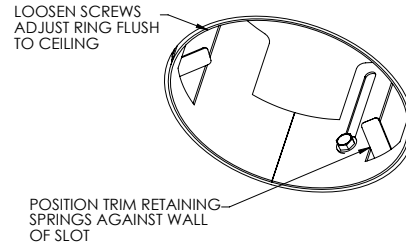


**SERVICE**

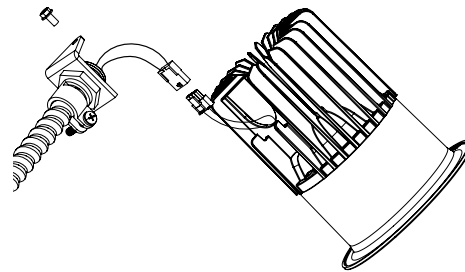
CAUTION- BEFORE BEGINNING ANY SERVICE, DISCONNECT POWER TO THE FIXTURE.

**DRIVER REPLACEMENT**

1. For room side access, rotate the trim to remove from ceiling. See Trim Removal Section above.
2. Disconnect conduit adapter by loosening screw. (See Figure 6)
3. Disconnect connectors and remove trim housing and move to a safe location.
4. Lift spring to remove LED driver/cover assembly.
5. Disconnect leads and reconnect to new driver.
6. Install new driver/cover plate tab into slot in frame and pivot until snapped under spring.
7. Re-install trim housing following instructions in "Trim Connection and Installation" section.



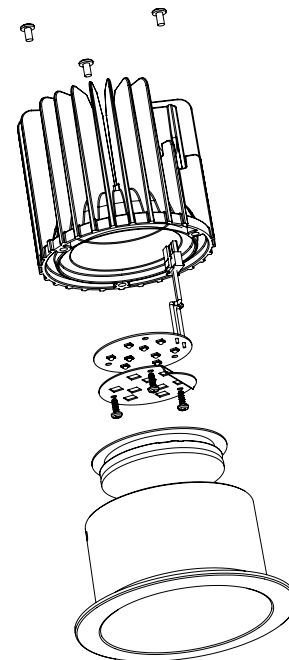
**FIGURE 4**



**FIGURE 5**

**MODULE REPLACEMENT**

1. For room side access, rotate the trim to remove from ceiling. See Trim Removal Section above.
2. Disconnect conduit adapter by loosening screw. (See Figure 6)
3. Disconnect electrical connectors and remove trim housing.
4. Remove heatsink from lower housing by removing (3) screws and lifting off.
5. Remove (3) screws, reflector plate and insulator as shown in Figure 7. LED module may then be removed and replaced.
6. Apply heatsink paste to back of new module.
7. Feed the connector through the opening in the housing and position the insulator and reflector plate.
8. Secure the LED module, insulator and reflector plate to the housing by re-installing the (2) or (3) screws. See Figure 7.
9. Re-assemble the heatsink to the lower housing by replacing the (2) or (3) screws.
10. Re-install trim housing following instructions in "Trim Connection and Installation" section.



**FIGURE 6**



## CUSTOMER SERVICE

---

For technical assistance, call 1-800-4KENALL (1-800-453-6255).

## WARRANTY

---

For warranty information visit [www.kenall.com/Resources/Certified-Performance-Warranties](http://www.kenall.com/Resources/Certified-Performance-Warranties)

