

CTD SERIES

IMPORTANT SAFEGUARDS

When using electrical equipment, basic safety precautions should always be followed, including the following:

THIS PRODUCT MUST BE INSTALLED IN ACCORDANCE WITH THE APPLICABLE INSTALLATION CODE BY A PERSON FAMILIAR WITH THE CONSTRUCTION AND OPERATION OF THE PRODUCT AND THE HAZARDS INVOLVED. DISCONNECT POWER TO ALL CIRCUITS BEFORE WIRING FIXTURE. INSTALL IN ACCORDANCE WITH ALL NATIONAL, STATE, AND LOCAL CODES. DO NOT CONNECT TO AN UNGROUNDED SUPPLY. READ ALL FIXTURE MARKINGS AND LABELS TO ENSURE CORRECT INSTALLATION OF FIXTURE. SUPPLEMENTAL INSTRUCTIONS MAY BE LOCATED ON THE FIXTURE, IN ADDITION TO THIS INSTRUCTION SHEET, REGARDING ORIENTATION, OR MOUNTING RESTRICTIONS.

SAVE THESE INSTRUCTIONS

INSTALLATION

1. To remove lens compress sides together as shown. See Figure 1.
2. Remove the screws that secure the LED bracket. See Figure 2.
3. Remove the LED assembly and disconnect the plug to the driver.
4. Store the LED assembly in a safe secure location.
5. Remove knock out from center of fixture or end plate.
6. Locate the housing on the grid and mark the mounting hole locations. See Figure 3.
7. Secure the fixture using user supplied hardware.
8. Connect the electrical service as indicated-
Black Wire - 120-277VAC or 347VAC
White Wire- Neutral
Copper Wire- Ground
9. Connect plug from LED assembly to driver.
10. Re-position LED assembly bracket and secure with screws previously removed.
11. Compress lens and secure to housing.

SERVICE

Driver Replacement

1. Confirm that AC power for all circuits is disconnected before proceeding. Making LED connections on energized circuits will damage LEDs.
2. To remove lens compress sides together as shown. See Figure 1.
3. Remove the screws that secure the LED bracket. See Figure 2.
4. Remove the LED assembly and disconnect the plug to the driver.
5. Store the LED assembly in a safe secure location.
6. Remove the nuts securing the driver and replace. See Figure 4.
7. Reinstall LED assembly and lens.



LED Module Replacement

1. To remove lens compress sides together as shown. See Figure 1.
2. Remove the red and blue wires by pressing the connector at the depressed spot. See Figure 5.
3. Remove the screws securing the LED module and replace by securing with the removed screws.
4. Push the wires into the connector-
 - Red wire – (+) connector
 - Blue wire- (-) connector
5. Replace lens by compressing sides and inserting into housing.

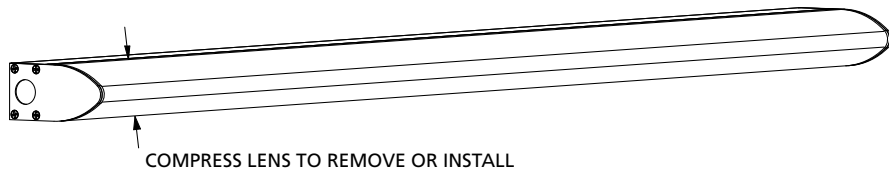


Figure 1

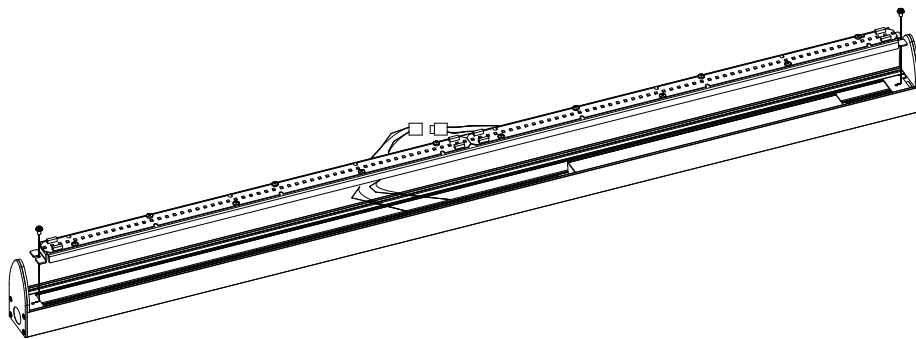


Figure 2

4' MOUNTING HOLES/WIRE-FEED

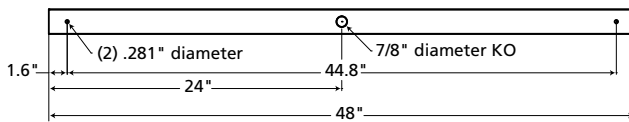
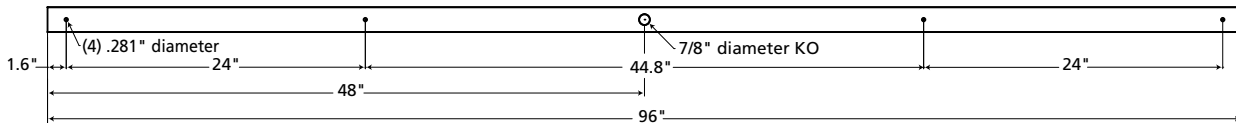


Figure 3

8' MOUNTING HOLES/WIRE-FEED



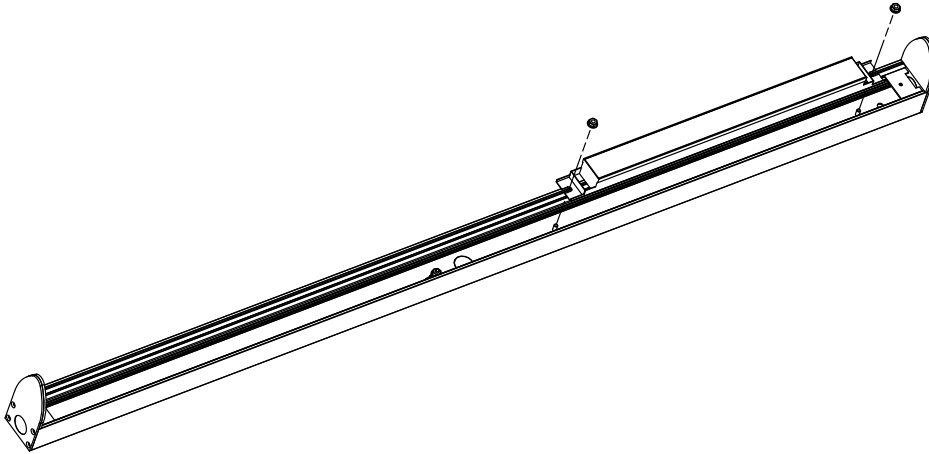


Figure 4

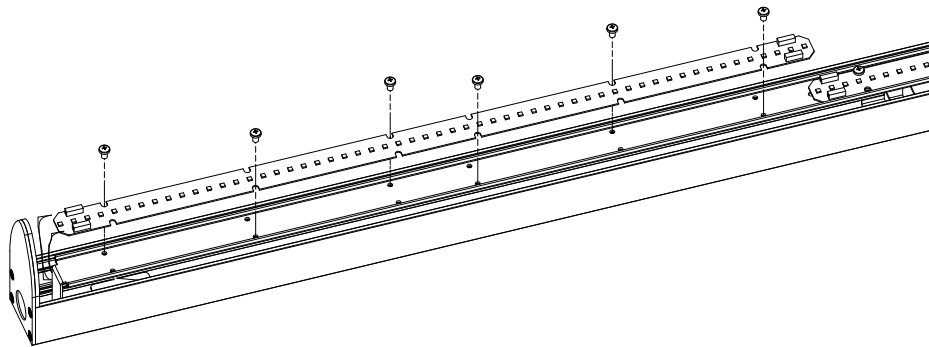


Figure 5

CUSTOMER SERVICE

For technical assistance, call 1-800-4KENALL (1-800-453-6255).

WARRANTY

For warranty information visit www.kenall.com/Resources/Certified-Performance-Warranties

