

CSETO SERIES

IMPORTANT SAFEGUARDS

When using electrical equipment, basic safety precautions should always be followed, including the following:

THIS PRODUCT MUST BE INSTALLED IN ACCORDANCE WITH THE APPLICABLE INSTALLATION CODE BY A PERSON FAMILIAR WITH THE CONSTRUCTION AND OPERATION OF THE PRODUCT AND THE HAZARDS INVOLVED. DISCONNECT POWER TO ALL CIRCUITS BEFORE WIRING FIXTURE. INSTALL IN ACCORDANCE WITH ALL NATIONAL, STATE, AND LOCAL CODES. DO NOT CONNECT TO AN UNGROUNDED SUPPLY. READ ALL FIXTURE MARKINGS AND LABELS TO ENSURE CORRECT INSTALLATION OF FIXTURE. SUPPLEMENTAL INSTRUCTIONS MAY BE LOCATED ON THE FIXTURE, IN ADDITION TO THIS INSTRUCTION SHEET, REGARDING ORIENTATION, OR MOUNTING RESTRICTIONS.

SAVE THESE INSTRUCTIONS

THIS FIXTURE CONTAINS SENSITIVE ELECTRONICS. TAKE CARE TO AVOID DAMAGE BY IMPROPER HANDLING OR STATIC ELECTRICITY DISCHARGE (SED). EITHER TYPE OF DAMAGE COULD RENDER THE SYSTEM INOPERABLE OR CAUSE LATENT FAILURE.

CSETO FIXTURES REQUIRE TOP ACCESS AND ARE DESIGNED TO BE INSTALLED IN 4" METAL PANEL (IMP) CEILINGS.

FOR PROPER ACCESS DOOR SWING CLEARANCE, ALLOW (FROM CEILING) 24" FOR 1X4 FIXTURES AND 36" FOR 2X2 AND 2X4 FIXTURES.

1. Cut appropriate opening in the ceiling.
2x4 22.25" x 46.25"
2x2 22.25" x 22.25"
1x4 10.25" x 46.25"
2. Release latches and open fixture cover.
3. Remove (4) nuts that are securing the top housing to the lower housing and store the nuts in a safe place to be used to re-secure the housings. See Figure 1.

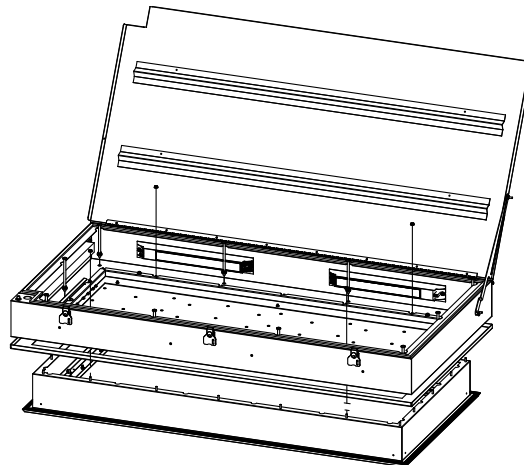


Figure 1



4. Lift off the entire top housing assembly and set aside being carefully not to not damage the LED modules.
5. Remove the clamping plate.
6. From the room side, insert the lower housing and door.
7. Place the clamping plate and upper housing over the lower housing and secure using the (4) nuts removed in step 3 and the additional ones provided. See Figure 2. IT MAY BE NECESSARY TO FIRST BACK OUT THE LONG CLAMPING SCREWS TO SECURE THE HOUSINGS.

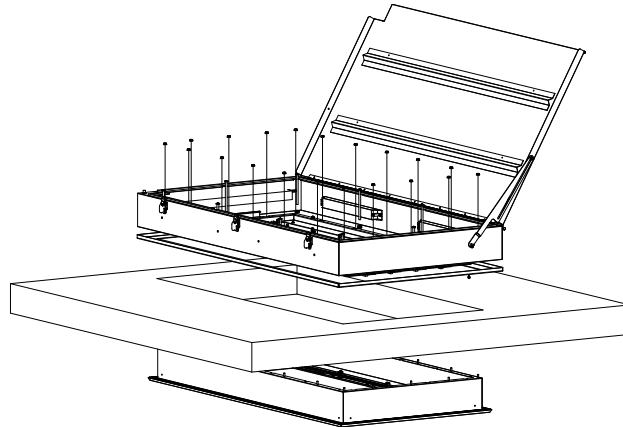


Figure 2

8. Tighten the ¼-20 clamping screws to pull the door to the room ceiling. Tighten jam nuts to lock screws.
9. Attach appropriate electrical connector to .875 dia. hole provided.
10. Connect wires-
 - 120-277V input to black
 - Neutral to white
 - Ground to copper ground wire
11. Close cover and secure latches.

SERVICE

1. Rotate latches to open cover.
2. Disconnect driver to be replaced and install new driver. See Figure 3.

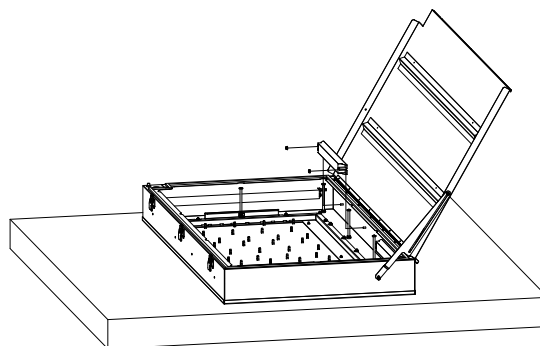


Figure 3



3. For LED module replacement, remove (4) nuts that secure the module frame and lift out. See Figure 4.

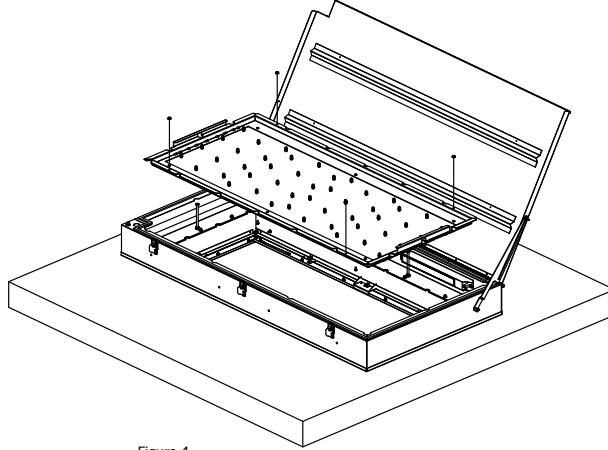


Figure 4

4. Disconnect the wires to the module and remove the screws or plastic retainers.
5. Install the new module and insert the wires- RED to + and BLUE to -.
6. Replace module frame and secure by replacing nuts.
7. Close cover and secure latches.

CUSTOMER SERVICE

For technical assistance, call 1-800-4KENALL (1-800-453-6255).

WARRANTY

For warranty information visit www.kenall.com/Resources/Certified-Performance-Warranties

