

**CSEDI SERIES**

**IMPORTANT SAFEGUARDS**

**When using electrical equipment, basic safety precautions should always be followed, including the following:**

THIS PRODUCT MUST BE INSTALLED IN ACCORDANCE WITH THE APPLICABLE INSTALLATION CODE BY A PERSON FAMILIAR WITH THE CONSTRUCTION AND OPERATION OF THE PRODUCT AND THE HAZARDS INVOLVED. DISCONNECT POWER TO ALL CIRCUITS BEFORE WIRING FIXTURE. INSTALL IN ACCORDANCE WITH ALL NATIONAL, STATE, AND LOCAL CODES. DO NOT CONNECT TO AN UNGROUNDED SUPPLY. READ ALL FIXTURE MARKINGS AND LABELS TO ENSURE CORRECT INSTALLATION OF FIXTURE. SUPPLEMENTAL INSTRUCTIONS MAY BE LOCATED ON THE FIXTURE, IN ADDITION TO THIS INSTRUCTION SHEET, REGARDING ORIENTATION, OR MOUNTING RESTRICTIONS.

**SAVE THESE INSTRUCTIONS**

**INSTALLATION INSTRUCTIONS**

Install in compliance with the National Electric Code, any applicable local codes and any specific instructions given on the luminaire labels. If installing in conjunction with any additional options and/or accessories, also refer to the respective instruction sheets. For installation only by a qualified electrician.

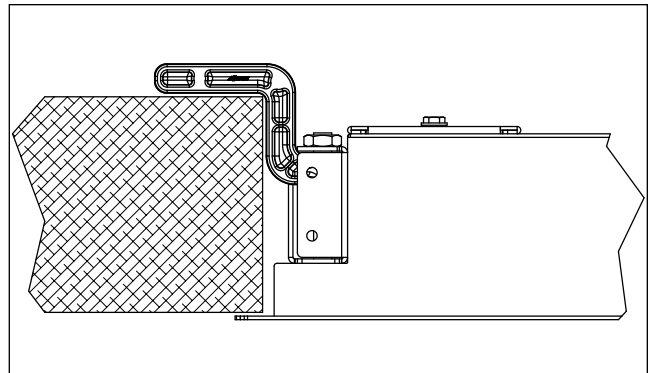
NOTE: To maintain the ratings and approvals noted on the fixture nameplate, any fittings or mounting hardware supplied with this fixture, must be used with this fixture. The sealed wireway (if option selected) shipped with the fixture must also be used with the wiring method selected to maintain the integrity of the fixture.

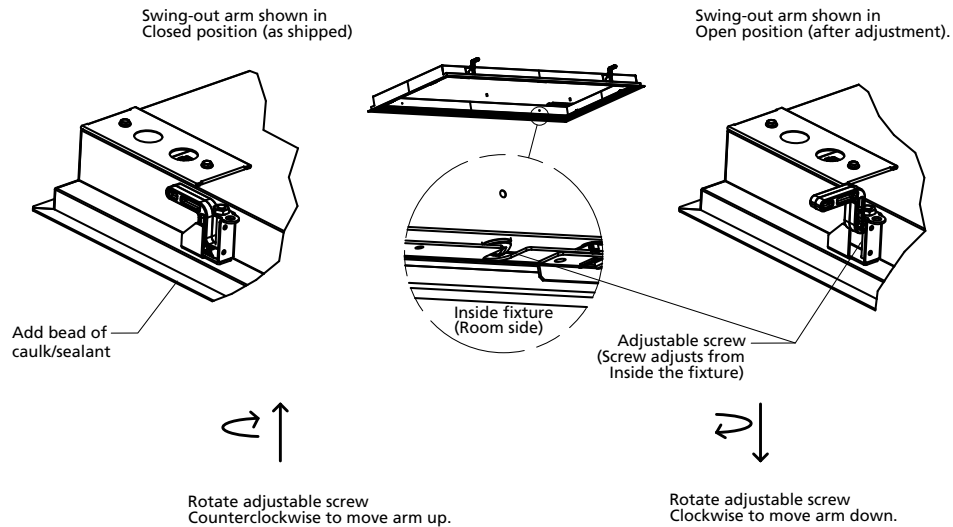
**RECESSED FLANGE (F1 OR F2 CEILING TYPE)**

NOTE: If the Install Frame option (IF) is specified, see supplemental instructions provided with Install Frame.

1. To ensure an adequate seal between the flange and the ceiling system, it is important to have square corners and a flat ceiling surface. When gypsum is used as the base material it should have adequate thickness to resist bowing. See appropriate specification sheet or contact Kenall directly for recommended ceiling cutout dimension. The cutout opening should be accurate to within a 1/8 of an inch.
2. Swing arm brackets are used to mount fixture to ceiling structure. After creating the ceiling cutout, frame the opening on the plenum side of the ceiling.
3. Framing around the entire opening is recommended and should start at the rough opening. Products constructed with the F1 Ceiling Type are suitable for ceiling and framing total thicknesses between 1.30" and 2.20". F2 Ceiling Type products are suitable for total ceiling thicknesses between 2.10" and 3.00". Typically, 1-5/8 Unistrut® is used to frame the opening because of its straightness, but straight lumber can also be used (framing material by others).
4. Gypsum board shall be secured to the framing material around the opening. The ceiling surface around the opening shall be flat and smooth and not run (deviate from a straight edge) more than 1/32 inch over 2 feet. The opening should always be cut into whole pieces of gypsum. Ceiling seams and joints shall be outside of fixture cutouts. Structural members running above the gypsum shall be whole pieces around the cutouts and run the length of the cutout, not just under the swing arm bracket.
5. Place a continuous bead of approved\* caulk on the back side of the housing flange.
6. Connect the appropriate flexible conduit system to the fixture and raise the fixture into the opening.

\*Use a caulk/sealant that is approved by the owner/consulting engineer or Momentive/GE RTV-108 (a room temperature vulcanizing silicone sealant with NSF/ANSI 51 certification)





7. Initial swing out arm adjustment procedure: this procedure adjusts the swing out arms from the as shipped position to the installed position.
  - a. Turn the adjustable screw counterclockwise until the arm bottoms out.
  - b. Rotate the arm 90 degrees outward to the open position.
  - c. Turn the adjustable screw clockwise until the arm rests on top of the ceiling framing.
8. Continue tightening swing arm screws until the fixture is firmly seated in the cutout.
9. Position door frame into housing opening and start all screws by hand. Tighten all screws to seal door frame to fixture.
 

**CAUTION: Avoid overtightening fasteners when using drill/driver tools. Hand tightening is recommended.**

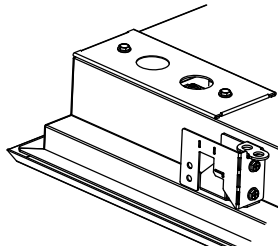
Although the unit is equipped with door support brackets to maintain sealing surface alignment, improper fastening may result in component distortion or reduced sealing performance. Tighten fasteners evenly and only to the extent necessary to secure components without inducing stress or deformation.

## RECESSED GRID (G CEILING TYPE)

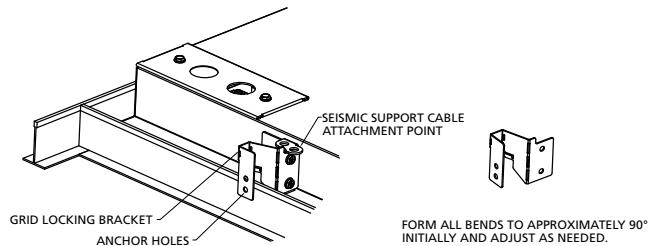
1. Fixture is designed for use with 1.00"/1.50" T bar grid systems with vertical grid T thickness of less than ¼ inch with a maximum height of 2.00" inches. Grid systems can be installed with standard 12, 24 or 48 inch centerline spacing of grid.
2. Bend grid locking brackets into approximate form for grid height (see images below).
3. Fixture housing lays into grid. When securing fixture to the superstructure with hanger wire (by others) loop wire through holes on the provided seismic support cable attachment point. Make sure fixture is laying centered in the grid, and on the cleanroom grid gasket that is provided by the cleanroom grid manufacturer.
4. Adjust as needed so that flat flange with anchor holes is flush to outside of grid members. (see figure below) Secure to grid using anchor holes and #10 screw/bolt (by others).
5. Position door frame into housing opening and start all screws by hand. Tighten all screws to seal door frame to fixture.  
**CAUTION: Avoid overtightening fasteners when using drill/driver tools. Hand tightening is recommended.**

Although the unit is equipped with door support brackets to maintain sealing surface alignment, improper fastening may result in component distortion or reduced sealing performance. Tighten fasteners evenly and only to the extent necessary to secure components without inducing stress or deformation.

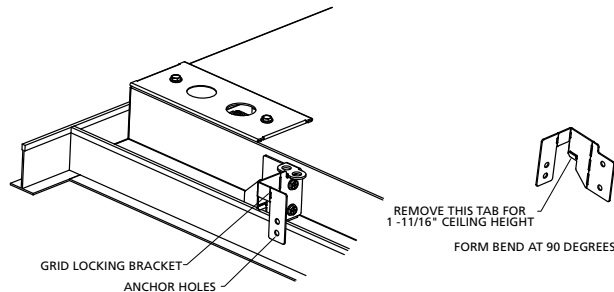
GRID LOCKING BRACKET: SHOWN AS SHIPPED



GRID LOCKING BRACKET FOR 2" GRID HEIGHT

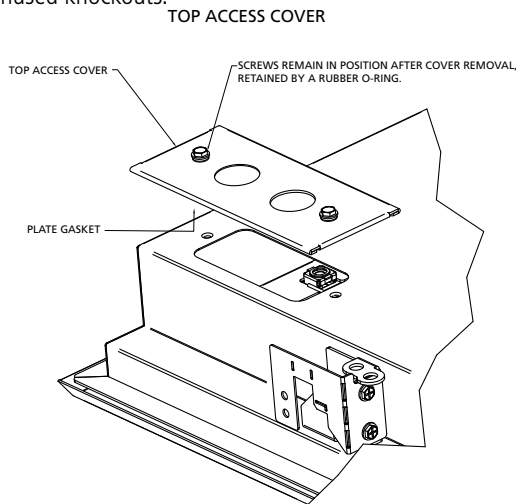


GRID LOCKING BRACKET FOR 1 - 1/2" and 1 - 11/16" GRID HEIGHTS



## WIRING INSTRUCTIONS

1. Locate fixture top access cover and loosen screws to remove it.
2. Remove appropriate knockout(s) only as necessary for power supply wiring. One hole and one knockout is provided (1/2" trade size, 0.875" dia.). Attach conduit connector from a grounded conduit system to wireway access cover.
3. If dimming is desired this fixture is equipped with 0-10VDC dimming control wiring. Violet is positive (+) and pink is negative (-). See wiring diagram below.
4. Reattach wireway access cover and secure with screws. Wireway access cover gasket should contact housing. Leave no open, unused knockouts.



SUPPLY (BY OTHERS)	KENALL FIXTURE
LINE VOLTAGE HOT	BLACK
LINE VOLTAGE NEUTRAL	WHITE
GROUND	GREEN
0-10VDC DIMMING (IF REQUIRED):	
0-10V DIMMING +	VIOLET
0-10V DIMMING -	PINK

NOTE: DALI SYSTEMS ARE SUPPLIED WITH VIOLET AND VIOLET/WHITE CONTROL WIRING

## MAINTENANCE

Fixture cleaning is to be performed with mild detergents and fully rinsed afterward. If unsure of compatibility, contact the factory for suitable chemical compatibility. Otherwise, use a small amount of water on a cloth and wipe the lens. Do not use chemicals on the lens as this could cause damage.

## CUSTOMER SERVICE

For technical assistance, call 1-800-4KENALL (1-800-453-6255).

## WARRANTY

For warranty information visit [www.kenall.com/Resources/Certified-Performance-Warranties](http://www.kenall.com/Resources/Certified-Performance-Warranties)