

Installation Instructions

IMPORTANT SAFEGUARDS

When using electrical equipment, basic safety precautions should always be followed, including the following:

READ AND FOLLOW ALL SAFETY INSTRUCTIONS

Do not mount near heaters or hot surfaces. Equipment should be mounted in locations and at heights where it will not be readily subject to tampering by unauthorized personnel. The use of accessory equipment not recommended by the manufacturer may cause an unsafe condition. Do not use this equipment for other than intended use. Servicing of this equipment should be performed by qualified personnel.

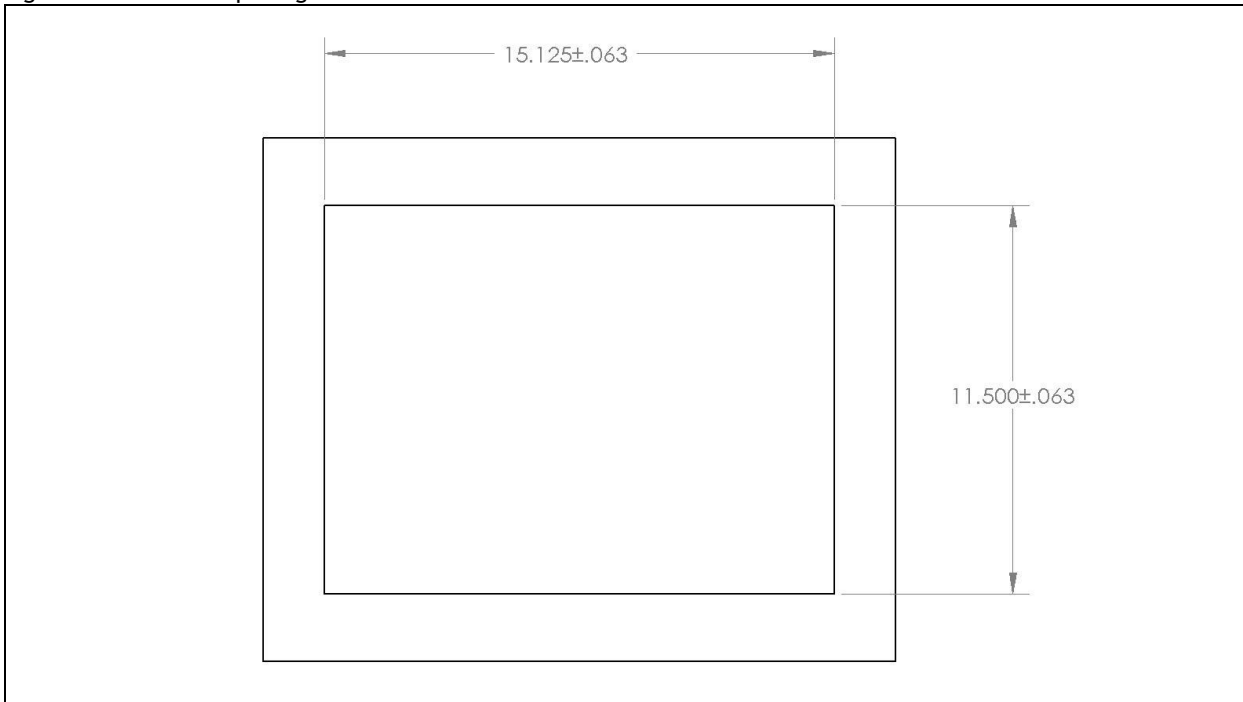
SAVE THESE INSTRUCTIONS

THIS PRODUCT MUST BE INSTALLED IN ACCORDANCE WITH THE APPLICABLE INSTALLATION CODE BY A PERSON FAMILIAR WITH THE CONSTRUCTION AND OPERATION OF THE PRODUCT AND THE HAZARDS INVOLVED. FOLLOW ANY SPECIFIC INSTRUCTIONS ON LUMINAIRE LABELS.

Preparation

- Read all fixture markings and labels to insure correct installation of the fixture. Additional information may be located on the fixture or in supplemental instructions sheets, separate from this instruction sheet, regarding orientation, mounting restrictions and optional equipment.
- Disconnect power to the circuit before wiring fixture.
- Minimum 12" supply wire pigtails must extend from electrical junction box for field connections within fixture enclosure.
- Prepare opening in wall for fixture mounting (figure 1).

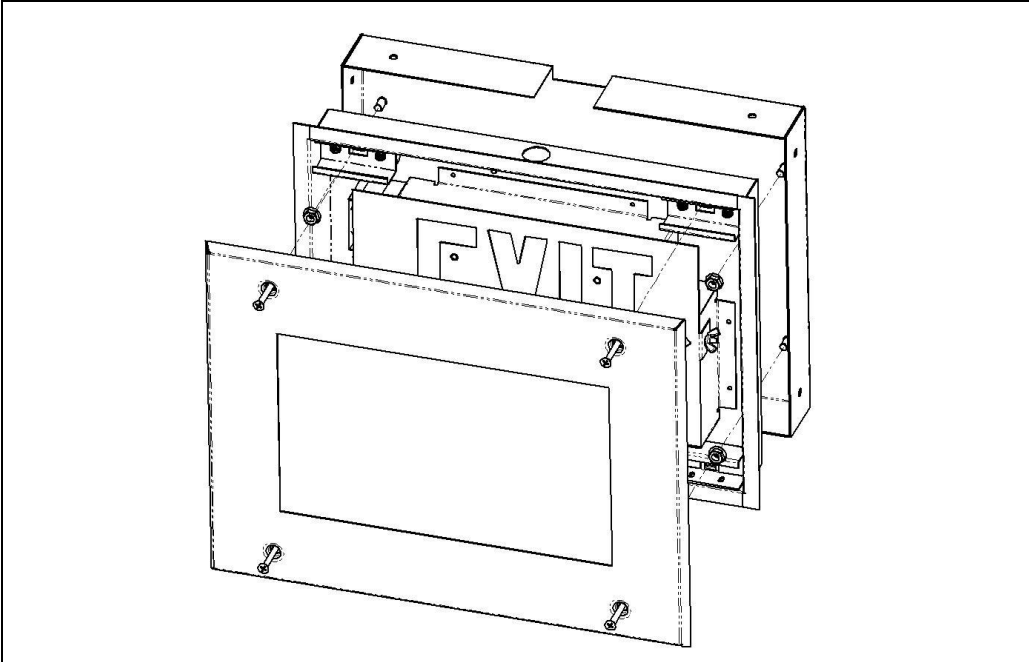
Figure 1 - Recessed Opening Cutout



Installation Instructions

- Remove door from fixture and fixture from mounting tray (figure 2). Store door and fixture where they will not be damaged, until ready for use.

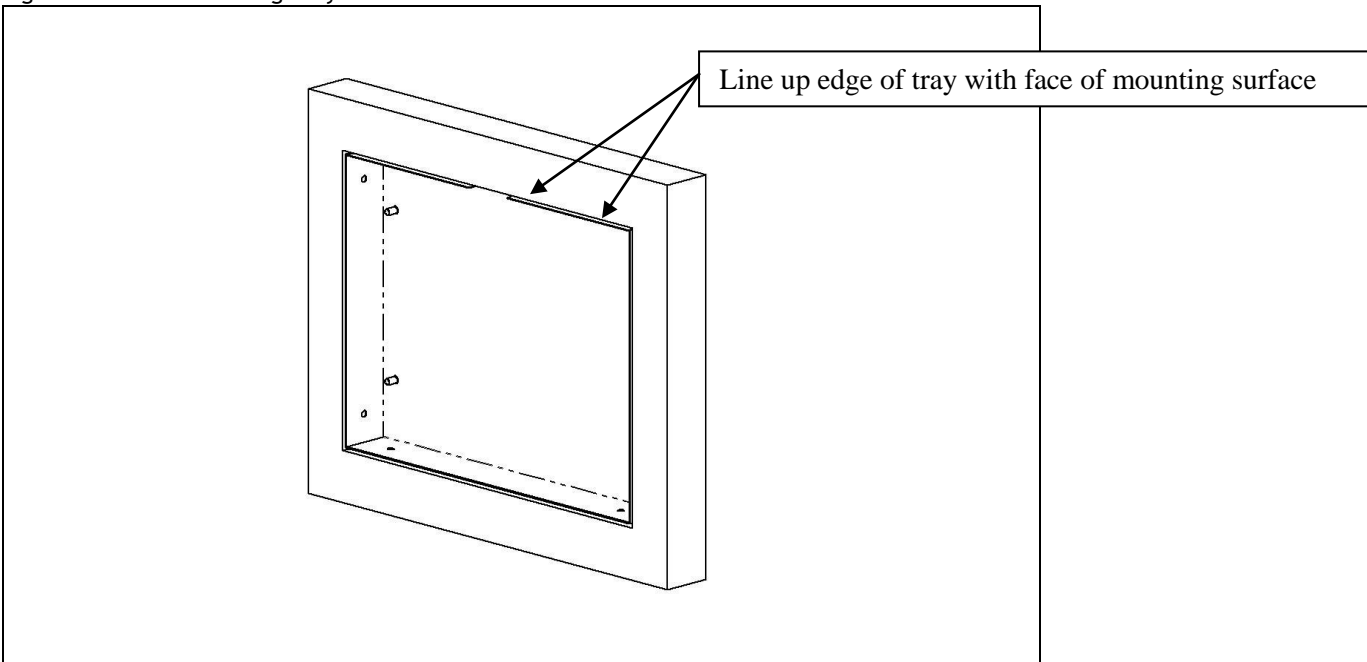
Figure 2 - Disassemble door / fixture / mounting tray



Install Mounting Tray

- Place the mounting tray in the wall opening as shown in figure 3. Locate and drill minimum (4) pilot holes in mounting surface using mounting tray as template. Secure with appropriate pan-head fasteners for the mounting surface (not supplied).

Figure 3 - Install Mounting Tray



Installation Instructions

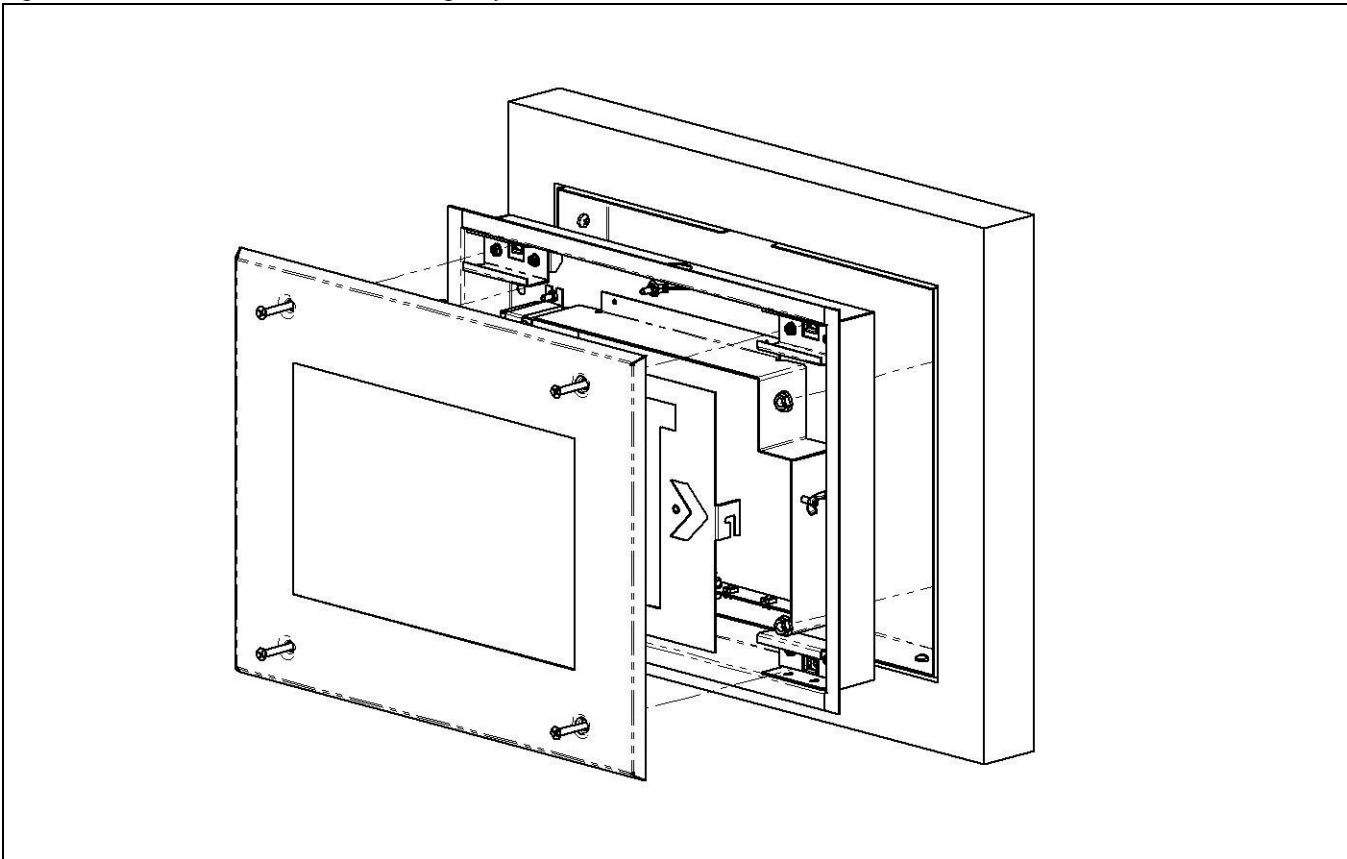
Configure 'Exit' Stencil

- If needed, reconfigure directional arrows by loosening (2) wing nuts and removing stencil assembly from fixture. Remove metal plate(s) covering chevrons. Reassemble to fixture.

Install Fixture and Door

- Place fixture over mounting tray and pull wires through 7/8" hole. Line-up (4) holes in fixture with studs from mounting tray and secure with hardware removed during preparation stage (figure 4). Attach conduit to fixture and connect supply wires. Lead color coding: White = Neutral, Black = 120V, Orange = 277V.
- Re-attach door to housing (figure 4).

Figure 4 - Reassemble fixture to mounting tray and door to fixture



Warranty

This product is warranted by Kenall to be free of defects in workmanship and materials for a period of one year from the date of invoice. LED lamps are warranted for a period of five years from the date of the invoice against defects in materials and workmanship. Kenall also guarantees a 50,000 hour LED life based upon 70% original lumen output.

Kenall reserves the right to issue credit, repair, or replace the defective merchandise, at its discretion, upon notification and confirmation by its local representative of the defect. Kenall also reserves the right to examine the defective product if the defect is questionable and to deny the warranty herein for any product altered, improperly installed, or installed in applications for which it is not intended.

Kenall assumes no responsibility for labor or freight costs incurred in connection with the installation, removal, or replacement of products determined to be defective or any other consequential or incidental damages arising from the use of the product. Kenall's entire liability on any claim of loss or damage resulting from a defective product is limited to the replacement price of the product.