

BHSS AND BHSD SERIES

IMPORTANT SAFEGUARDS

When using electrical equipment, basic safety precautions should always be followed, including the following:

THIS PRODUCT MUST BE INSTALLED IN ACCORDANCE WITH THE APPLICABLE INSTALLATION CODE BY A PERSON FAMILIAR WITH THE CONSTRUCTION AND OPERATION OF THE PRODUCT AND THE HAZARDS INVOLVED. DISCONNECT POWER TO ALL CIRCUITS BEFORE WIRING FIXTURE. INSTALL IN ACCORDANCE WITH ALL NATIONAL, STATE, AND LOCAL CODES. DO NOT CONNECT TO AN UNGROUNDED SUPPLY. READ ALL FIXTURE MARKINGS AND LABELS TO ENSURE CORRECT INSTALLATION OF FIXTURE. SUPPLEMENTAL INSTRUCTIONS MAY BE LOCATED ON THE FIXTURE, IN ADDITION TO THIS INSTRUCTION SHEET, REGARDING ORIENTATION, OR MOUNTING RESTRICTIONS.

SAVE THESE INSTRUCTIONS

The TRIM section on all Saturn fixtures is an integral part of the thermal path for the LEDs. As such, the TRIM section may become warm (up to 53°C/128°F on higher wattage fixtures).

It is recommended that a Best Practice be implemented by the facility that includes directions to allow fixtures to cool before cleaning or servicing.

1. Using the enclosed mounting hole template, prepare the mounting surface by identifying the applicable (4) mounting holes and marking the surface. Drill pilot holes using the appropriately sized drill bit and suitable for the surface. **NOTE: Fixture must be mounted directly to the surface and not directly attached to the junction box.**

For all applications, use a mounting method appropriate for the relevant construction materials. Four-point mounting is required for the Peace of Mind Guarantee™, preferably direct to structural elements. For drywall with studs, it is recommended to use lag screws (with appropriate washers) at least 1/4" in diameter x 2.5-3" in length. For drywall without studs (not preferable), use metal toggle bolts individually rated to 75lbs min. loading. For concrete or masonry, use sleeve anchors or 1/4" Tapcon screws each rated for 75lbs min. loading. See Figure 1 for reference.

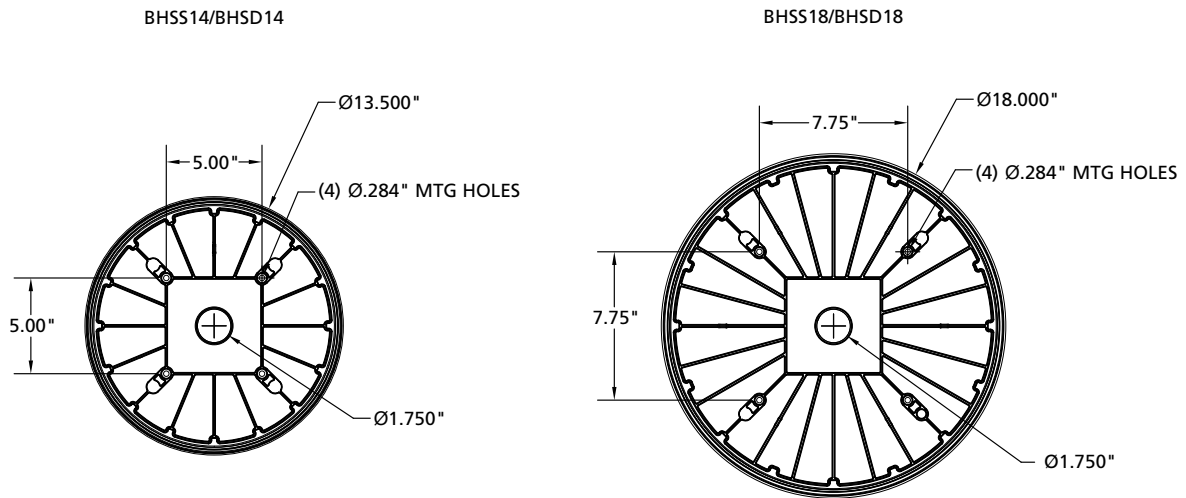


Figure 1

2. Ensure that the power to the circuit is disconnected before proceeding.



3. Use a T20 Torx tamper-resistant bit to loosen the 3 concealed fasteners securing the trim section. **See Figure 2.**
4. **DO NOT REMOVE THE LANYARD FROM THE HOUSING SECTION.** If the lanyard is connected to the trim, **disconnect it ONLY from the Trim.** **See Figure 3.** Set the trim aside in a safe place.

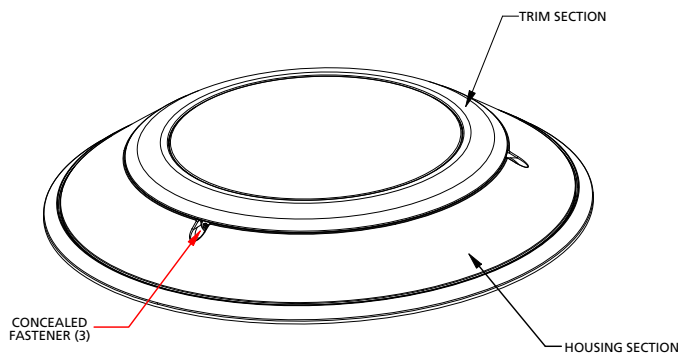


Figure 2

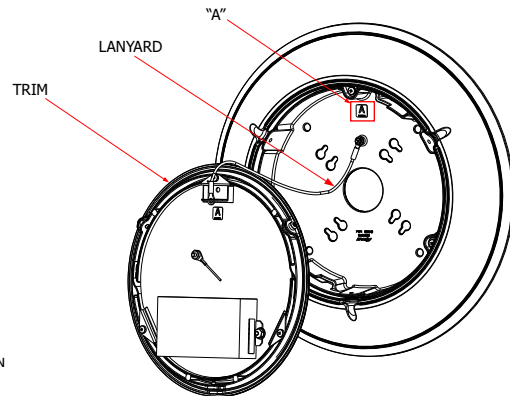


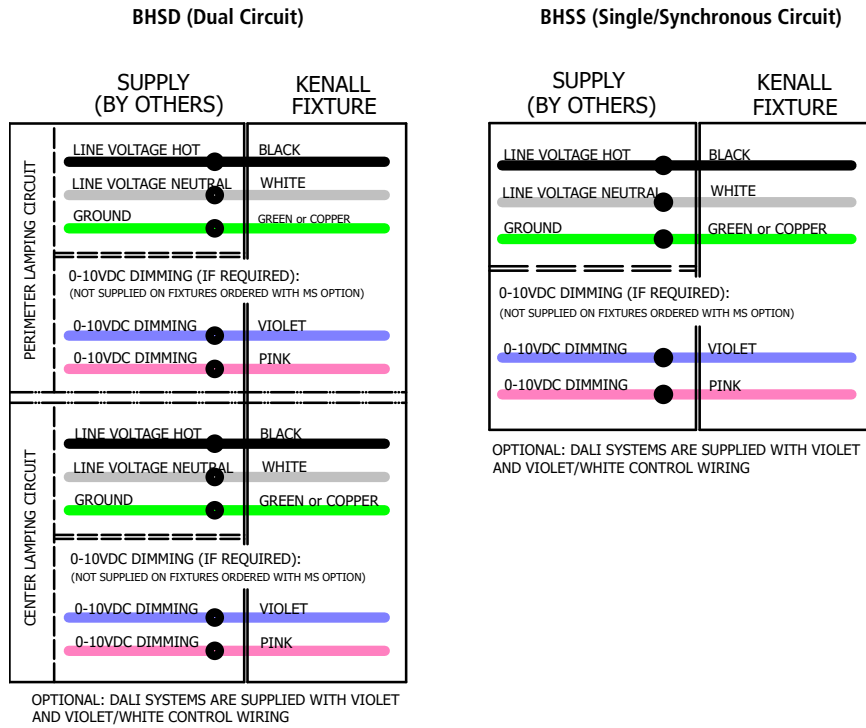
Figure 3

5. **MOUNTING THE FIXTURE** – Mount the fixture to the pre-drilled holes by aligning the 4 mounting holes in the housing. For wall mount applications, it is important that the letter “A” that is marked inside the housing is at the 12 o’clock position. **See Figure 3.**
 6. Use appropriate hardware and anchors (refer to step 1) to mount the fixture housing to the structure and tighten securely.
 7. Now secure the trim to the housing using the lanyard, don’t fully install the trim yet.
 8. Connect the fixture leads to power supply using connectors suitable for the gauge and number of wires being used (not included), see applicable wiring diagram below. Use the appropriate temperature rated wire for the installation. **ALL CONNECTIONS ARE TO BE MADE IN THE JUNCTION BOX, NOT IN THE FIXTURE.**
 - » Connect the black fixture lead to the supply conductor; connect the white fixture lead to the neutral supply conductor, and the grounding wire(s) must be connected to a suitable earth ground.
 - » As applicable, connect purple and pink fixture leads to the suitable 0-10V dimmer (DIM1) or connect purple and purple/white leads to suitable DALI system (DALI). Use class 1 wiring; for 347V applications use wiring rated for 600VAC.
 - » For DMX option, use the 3-position terminal block provided for connection to DMX+, DMX- and DMX shield. NOTE: A shielded CAT5 cable is used between driver(s) and terminal block.
- All connections are to be made in the junction box, not the fixture.**
9. Attach the quick-disconnect of the perimeter lamping (housing section) to the connector from the driver (trim section).
 10. Install the trim section to the housing section, making sure that the letter “A” is at the 12 o’clock position and the screw holes on the trim are lined up with the holes on the housing. The trim should be flush and sealed to the housing section lens of the entire perimeter.

CAUTION: ENSURE THAT NO WIRES ARE CAUGHT BEHIND THE DRIVER, AS THIS COULD PREVENT THE TRIM FROM SEATING FLUSH WITH THE HOUSING.

11. Using a T20 Torx tamper-resistant bit, tighten the 3 fasteners securing the trim section to the housing.
12. Once fixture is connected and tested, use a pick-proof sealant and apply around the perimeter of the fixture housing where the base meets the wall or ceiling. **NOTE: Any gap between the base of the housing and the mounting surface should be closed.**

BASIC FIXTURE WIRING DIAGRAM



CUSTOMER SERVICE

For technical assistance, call 1-800-4KENALL (1-800-453-6255).

WARRANTY

For warranty information visit www.kenall.com/Resources/Certified-Performance-Warranties

