

SoftStep Contour™ Junction Box Accessories

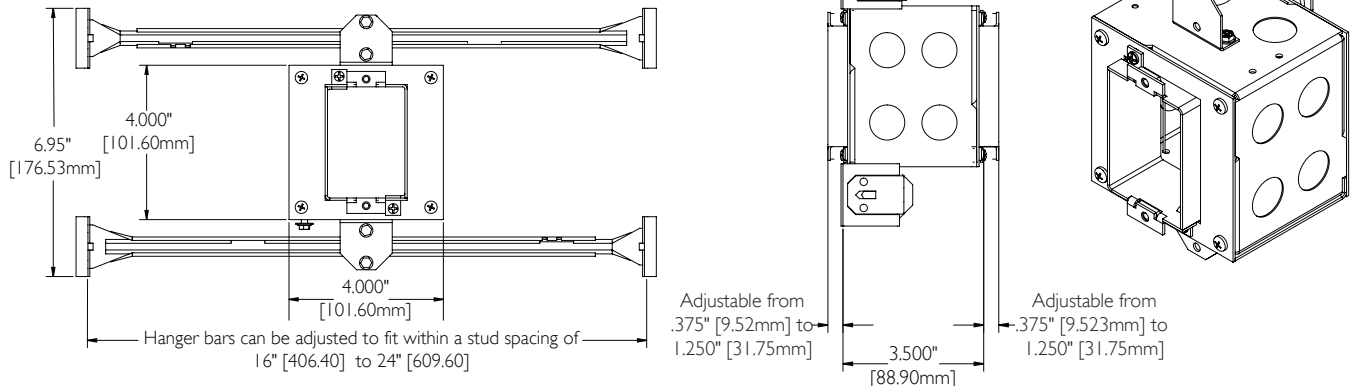
ACCESSORY OPTIONS FOR MCLSVR, MCLVO, MCLHR AND MCLHO SERIES

DBX- ADJUSTABLE THRU-WALL (TWO-SIDED) JUNCTION BOX WITH HANGERS

INSTALLATION: The Adjustable Thru-Wall box is mounted to the wall studs with the supplied hanger bars. Hanger bars can be adjusted to fit within a stud spacing of 16" to 24". Rotate the cover plates 90° to change from a vertical to a horizontally oriented box. A cover plate is located on the front and back side of the box which allows for a different orientation on each side of the wall while using one junction box. Depth of the box can be adjusted from 4.25" to 6.00" to accommodate various wall thicknesses. The luminaire's back plates are mounted directly to the face of the junction box. Two luminaires are required per thru-wall junction box.

HOUSING: Die formed 16-gauge corrosion-protected steel.

APPLICATION: Evaluated by UL for use with Softstep Contour luminaires only.

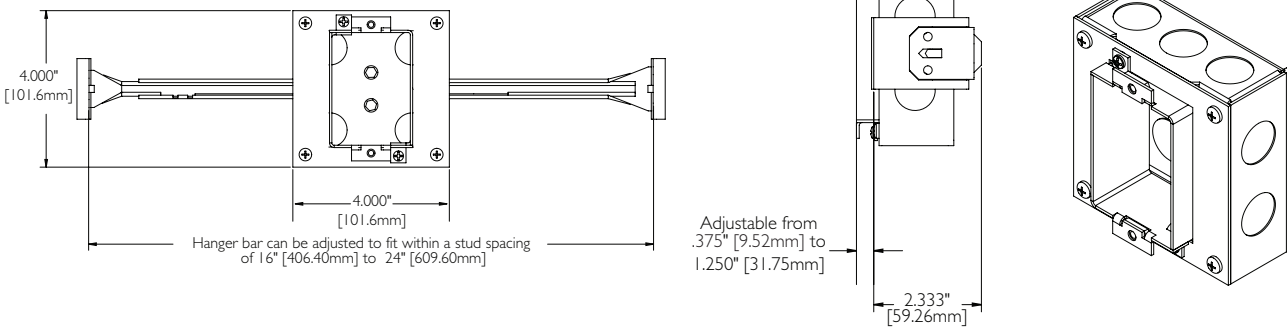


SBX- SINGLE-SIDED STANDARD DEPTH SINGLE GANG JUNCTION BOX WITH HANGERS

INSTALLATION: The Single-Sided Standard Depth Single Gang Box is mounted to the wall studs with the supplied hanger bar. The hanger bar can be adjusted to fit within a stud spacing of 16" to 24". Overall depth of the box can be adjusted to accommodate various wall thicknesses. Rotate the cover plate 90° to change from a vertical to a horizontally oriented box. The standard profile design reduces the number of hanger bars required, however it only allows for one luminaire to be mounted in the stud section. The luminaire's back plate is mounted directly to the face of the junction box.

HOUSING: Die formed 16-gauge corrosion-protected steel.

APPLICATION: Evaluated by UL for use with Softstep Contour luminaires only.



LPBX- SINGLE-SIDED LOW PROFILE SINGLE GANG JUNCTION BOX WITH HANGERS

INSTALLATION: The Single-Sided Low Profile Single Gang Box is mounted to the wall studs with the supplied hanger bars. Hanger bars can be adjusted to fit within a stud spacing of 16" to 24". Overall depth of the box can be adjusted to accommodate various wall thicknesses. Rotate the cover plate 90° to change from a vertical to a horizontally oriented box. The low profile design allows the user to have two luminaires in one stud section in any location. The luminaire's back plate is mounted directly to the face of the junction box.

HOUSING: Die formed 16-gauge corrosion-protected steel.

APPLICATION: Evaluated by UL for use with Softstep Contour luminaires only.

