

# MEDMASTER SOFTSTEP CONTOUR™ STEPLIGHTS

## Semi-Recessed Steplight

### MCSL SERIES – DIECAST

#### PRODUCT FEATURES:

- » Semi-recessed wall mount
- » Oval or Rectangle available in horizontal or vertical orientation
- » ADA compliant
- » Amber or White LED lamp options
- » Lumen output adjustable to 100%, 33% and 6% levels
- » Ligature resistant construction



VO



HO



VR



HR

#### PROJECT INFORMATION

Job Name \_\_\_\_\_

Fixture Type \_\_\_\_\_

Catalog Number \_\_\_\_\_

Approved by \_\_\_\_\_

#### SPECIFICATIONS

**HOUSING:** Die-cast aluminum. TGIC polyester powder coat finish – 5-stage pre-treatment. Salt spray test: 1,000 hours. Antimicrobial finish on all exposed components of installed luminaire. See Ordering Information for finish options.

**REFLECTOR:** Die cast aluminum reflector with integral heat sink.

**LENS:** UV-stabilized, high-impact resistant injection molded pearlescent polycarbonate.

**MOUNTING PLATE:** Die formed corrosion resistant steel.

**ELECTRICAL:** 120-277VAC, 50/60 Hz Maximum input power 3.8 watts. LED light source available in warm white (ANSI 2700K), neutral white (ANSI 4000K) or amber (600nm). Lumen output adjustable to 100%, 33%, and 6% at time of maintenance or installation. Factory pre-set at 33% dimming level (1.5 watts).

**PHOTO CONTROL OPTION:** Control circuit shall switch on LED light source when ambient light levels fall below  $1fc \pm 0.25fc$  and switch off when light levels are above  $4fc \pm 0.5fc$ . Performance may vary depending on location of ambient light sources/windows, room finishes, surrounding objects and fixture lumen output setting.

**INSTALLATION:** Standard installation requires the back plate to be mounted to a NEMA single-gang junction box (supplied by others). See junction box accessories on page 3 for adjustable thru-wall and single-sided applications. See [SoftStep Contour Junction Box Accessories Tech Sheet](#) for application details. Recommended mounting height is 14" from floor to center of luminaire.

**PHOTOMETRICS:** Photometry tested to the IESNA LM-79-08 standard by an ILAC/ISO17025 accredited laboratory. For additional photometric data, please go to [www.kenall.com](http://www.kenall.com).

**WARRANTY:** Limited five (5) year LED warranty.

**LISTINGS:** UL and CUL Listed for Wet Location. NSF2 Splash/Non-Food Zone. ADA Compliant. Optional UL certified IP64 per IEC 60598. Ligature resistant construction.



#### ORDERING INFORMATION (Ex: MCSL-VO-MW-2L35K-DV)

Model	Style	Finish	Lamp Type	Voltage	Options	Accessories
<b>MCSL</b>				<b>DV</b>		
	<b>Style</b> <b>VO</b> Vertical Oval <b>HO</b> Horizontal Oval <b>VR</b> Vertical Rectangle <b>HR</b> Horizontal Rectangle	<b>Finish</b> <b>MW</b> Matte White (Antimicrobial finish) <b>MB</b> Matte Black (Antimicrobial finish) <b>BE</b> Beige <b>BR</b> Bronze <b>CS</b> Cool Satin Painted Anodized <b>WS</b> Warm Satin Painted Anodized <b>CC</b> Custom Color (Consult Factory)	<b>Lamp Type</b> <b>2L27K</b> 2 Watt 2700K White LED <b>2L30K</b> 2 Watt 3000K White LED <b>2L35K</b> 2 Watt 3500K White LED <b>2L40K</b> 2 Watt 4000K White LED <b>2LAMB</b> 2 Watt Amber LED	<b>Voltage</b> <b>DV</b> 120-277 Volts	<b>Options</b> <b>BPC</b> † Photo Control <b>IP64*</b> IP64 Certified to IEC 60598 <b>SW</b> •† Rocker Switch	<b>Accessories</b> <b>DBX</b> Adjustable Thru-Wall Two-Sided Junction Box with Hangers (Requires two steplights per thru-wall junction box.) <b>LPBX</b> Single-sided Low Profile Single Gang Junction Box with Hangers <b>SBX</b> Single-Sided Standard Depth Single Gang Junction Box with Hanger
					* Must be selected for outdoor use. • Not available with NSF2 listing. Dry location only. † Rocker Switch and Photo Control can not be ordered together	



[www.kenall.com](http://www.kenall.com) | P: 800-4-Kenall | F: 262-891-9700 | 10200 55th Street Kenosha, Wisconsin 53144, USA

This product is able to comply with the latest domestic preference legislation, such as the Buy American Act (BAA), Trade Agreement Act (TAA), Build America, Buy America Act (BABA), and others. It may be covered by patents found at [www.kenall.com/patents](http://www.kenall.com/patents). Content of specification sheets is subject to change; please consult [www.kenall.com](http://www.kenall.com) for current product details. ©2025 Kenall Mfg. Co.

A brand of **legrand**

# MEDMASTER SOFTSTEP CONTOUR™ STEPLIGHTS

## Semi-Recessed Steplight

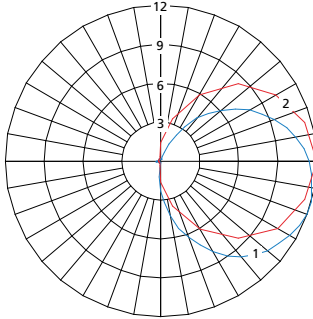
### MCSL SERIES – DIECAST

#### PERFORMANCE

Output	Lamp Type	Initial Delivered Lumens		Input Power (W)	Drive Current (mA)	Estd. L70 LED Life (hrs)
		@ 25°C (lm)	Efficacy (lm/W)			
100%	2L35K	38	12	3.3	300	100,000
33%	2L35K	17	13	1.3	100	125,000
6%	2L35K	5	10	0.5	20	150,000

Displayed information above is for the horizontal oval (MCSL-HO) luminaires only. Info subject to change. Visit [www.kenall.com](http://www.kenall.com) for IES files and additional information.

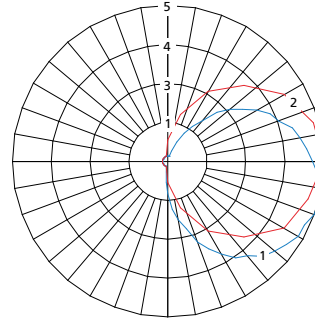
Model: MCSL-HO-MW-2LXXK 100%



Max Candela = 12 Located At Horizontal Angle = 0, Vertical Angle = 70

- 1 - Vertical Plane Through Horizontal Angles (0 - 180) (Through Max. Cd.)
- 2 - Horizontal Cone Through Vertical Angle (70) (Through Max. Cd.)

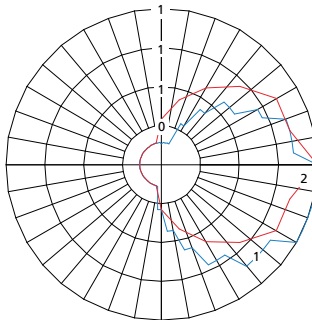
Model: MCSL-HO-MW-2LXXK 33%



Max Candela = 5 Located At Horizontal Angle = 0, Vertical Angle = 70

- 1 - Vertical Plane Through Horizontal Angles (0 - 180) (Through Max. Cd.)
- 2 - Horizontal Cone Through Vertical Angle (70) (Through Max. Cd.)

Model: MCSL-HO-MW-2LXXK 6%



Max Candela = 1 Located At Horizontal Angle = 0, Vertical Angle = 60

- 1 - Vertical Plane Through Horizontal Angles (0 - 180) (Through Max. Cd.)
- 2 - Horizontal Cone Through Vertical Angle (60) (Through Max. Cd.)

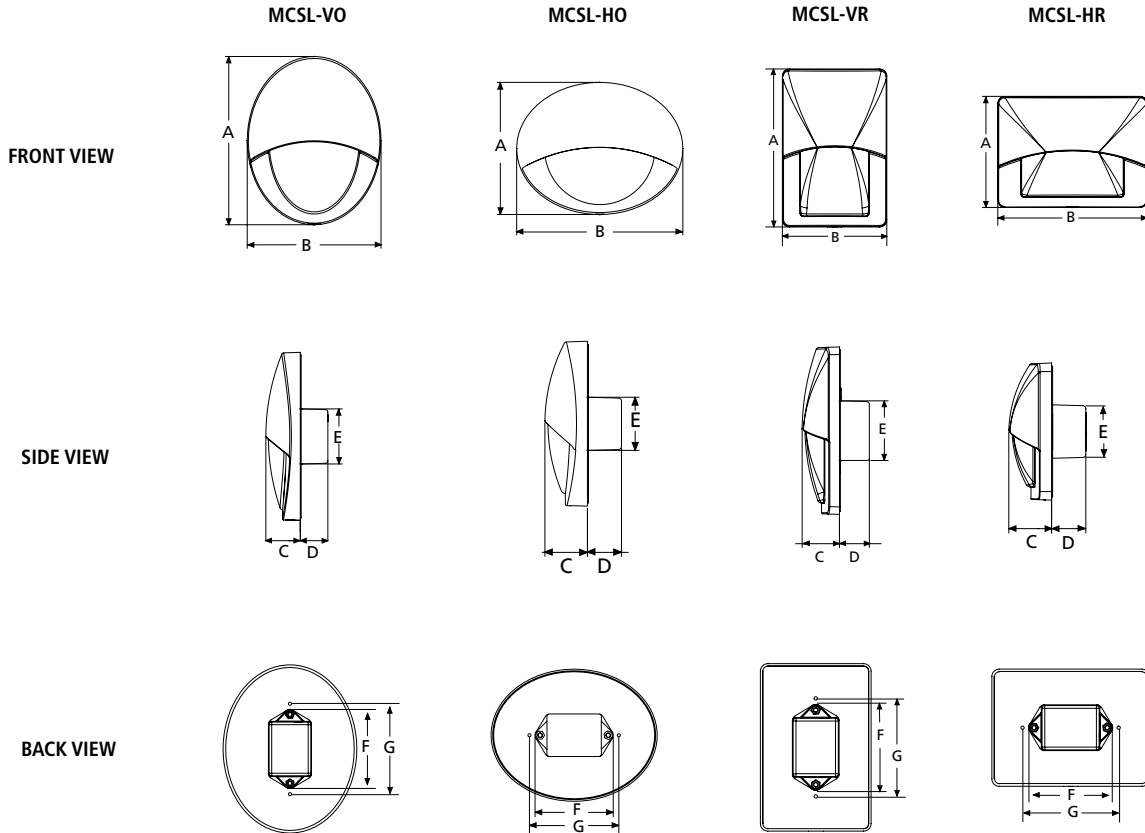


# MEDMASTER SOFTSTEP CONTOUR™ STEPLIGHTS

Semi-Recessed Steplight

## MCSL SERIES – DIECAST

### DIMENSIONAL DATA



#### DIMENSIONAL DATA (IN INCHES)

	A	B	C	D	E	F	G	H	I
VO	6.10	4.85	1.25	1.00	2.00	2.87	3.28	2.37	4.25
HO	4.85	6.10	1.25	1.00	1.56	2.87	3.28	4.25	2.37
VR	5.60	3.70	1.25	1.00	2.00	2.87	3.28	2.37	4.25
HR	4.00	5.38	1.25	1.00	1.56	2.87	3.28	4.25	2.37

#### RECOMMENDED WALL CUT-OUT

	HEIGHT x WIDTH
VO	4.25 x 2.37
HO	2.37 x 4.25
VR	4.25 x 2.37
HR	2.37 x 4.25

