

# LED HIGH BAY MAX™ OUTPUT

## Luminaires for High Bay Applications

### HBMO SERIES

#### PRODUCT FEATURES:

- » Lumen outputs ranging from 23,500-30,000lm
- » Textured tertiary lens for glare reduction; flat and drop lens
- » Various distribution patterns available, including Aisle-Lighter
- » Suspended ceiling mount; pendant, trunnion and loop hanger



#### PROJECT INFORMATION

Job Name \_\_\_\_\_

Fixture Type \_\_\_\_\_

Catalog Number \_\_\_\_\_

Approved by \_\_\_\_\_

#### SPECIFICATIONS:

**HOUSING:** Marine-grade die-cast aluminum construction. Integral aluminum heat sink with concealed air inlet and convection fins. All power electronics removed from primary thermal path; all drivers with dedicated heat sink to exterior of luminaire. TGIC polyester powder coat finish with five-step pre-treatment; salt-spray test 1,000 hours. See Ordering Information for available finishes. Closed-cell silicone gasketing at all housing interfaces.

**OPTICS:** Type II, III, IV, V-Narrow Round, V-Wide Square or Aisle-lighter optical distributions. Clear textured acrylic or polycarbonate tertiary flat lens for full-cutoff applications or injection-molded clear textured acrylic or polycarbonate tertiary drop lens for uplight and enhanced glare control.

**ELECTRICAL:** Replaceable high-brightness LED array. See Ordering Information for color temperature and CRI options. 120-277VAC, 347VAC or 480VAC, 50/60Hz input with replaceable high power factor electronic constant-current driver (<10% THD, >0.95 PF). Standard 0-10V dimming with 10-100% range. Minimum 85% driver efficiency. EMC performance compliant with FCC CFR Part 15. Standard 20kV/kA surge protection to IEEE/ANSI C62.41 Cat. A.

**TEKLINK™ TL50:** An independent lighting control system integral to the luminaire, featuring its own occupancy sensor, daylight harvesting and adjustable time-out/dimming settings. Three different programs are available, each governing system behavior in normal operation; On-to-Dim Daylighting, On-to-Off Daylighting, and Occupancy Only.

**TEKLINK™ TL100:** Centralized, wired zonal occupancy and closed-loop daylight harvesting control system. TL100 controllers are standalone devices and ordered separately for luminaire. [Click here for specifications.](#)

**TEKLINK™ TL1000/2000:** An adaptive lighting control system with wired or wireless communication between system nodes. In addition to occupancy detection and daylight harvesting, TL1000 and TL2000 feature advanced scheduling and energy management capabilities with cloud-based management of system settings, reporting and notifications.

**INSTALLATION:** PENDANT: Sealed threaded hub supplied for 3/4" rigid pendant. Pendants by others. LOOP HANGER: Sealed hub with loop style hanger and 6' black power cord. IP65 rated quick connector. Hook by others. Center of gravity is along center axis of luminaire. TRUNNION: Length-adjustable trunnion bracket system with 6' black power cord and IP65 electrical hub.

**PHOTOMETRICS:** Photometry tested at 25°C. Photometry tested to the IESNA LM-79-08 standard by an ILAC/ISO17025 accredited laboratory. For additional photometric data, please go to [www.kenall.com](http://www.kenall.com).

**WARRANTY:** Limited five (5) year warranty.

**AMBIENT TEMPERATURE RATING:** Product is rated for -40°C to 40°C ambient environments.

**LISTINGS:** Luminaire is certified to UL Standards by Intertek Testing Laboratory for Wet Location. IP65 rating per IEC 60598. For maximum efficiency, Kenall recommends TekLink™ controls. For more information, visit [www.kenall.com](http://www.kenall.com).



#### ORDERING INFORMATION (Ex: HBMO26-PM-5S-DTA-DB-300L40K-DV)

Model	Mounting	Dist. Type	Lens Type	Finish	Lamp Type	Voltage	Options	TekLink	Controls Kit
<b>HBMO26</b>									
<b>Mounting</b>									
PM	Pendant Mount								
TK	Trunnion Kit								
HL	Loop Hanger								
<b>Distribution Type</b>									
A	Aisle								
2	Type II								
3	Type III								
4	Type IV								
5N	Type V – Narrow Round								
5S	Type V – Wide Square								
<b>Lens Type</b>									
DTA	Drop Clear Textured Acrylic								
DTP	Drop Clear Textured Polycarbonate								
FTA	Flat Clear Textured Acrylic								
FTP	Flat Clear Textured Polycarbonate								
<b>Finish</b>									
DB	Dark Bronze								
GW	Gloss White								
LG	Light Gray								
MB	Matte Black								
MW	Matte White								
CC	Custom Color (Consult factory)								
<b>Lamp Type</b>									
300L35K	300 Watt 3500K LED (80 CRI)								
300L40K	300 Watt 4000K LED (70 CRI)								
300L40KH	300 Watt 4000K LED (80 CRI)								
300L50K	300 Watt 5000K LED (70 CRI)								
300L57K	300 Watt 5700K LED (70 CRI)								
<b>Voltage</b>									
DV	120-277 Volts								
347	347 Volts (60 Hz)								
480	480 Volts (60 Hz)								
<b>Options</b>									
LELC*	Ceiling Mounted 20W Emergency Battery Backup (to view dimensional drawing <a href="#">click here</a> )								
LELP*	Pendant Mounted 20W Emergency Battery Backup (to view dimensional drawing <a href="#">click here</a> )								
2C‡	Two-Circuit Wiring								
BG	Bird Guard								
FS	Single Fuse & Holder								
SCM4†	Safety Cable Mount (4')								
<b>TekLink</b>									
TL50	TL50 Control System ( <a href="#">Click here for specifications</a> )								
TL100	TL100 Control System ( <a href="#">Click here for specifications</a> )								
TL1000	TL1000 Wired Control System ( <a href="#">Click here for specifications</a> )								
TL2000	TL2000 Wireless Control System ( <a href="#">Click here for specifications</a> )								
TLOS*	TL Sensor Only ( <a href="#">Click here for specifications</a> )								
Please consult Kenall Applications when ordering Controls									
<b>Controls Kit</b>									
< > Internal Code									

- ▲ Used in conjunction with TL100
- † n/a with TK mounting
- ‡ Suitable for bi-level switching; n/a with TekLink Options
- ▼ Suitable for damp locations and 0°C-50°C ambient temperatures. N/A with 347V or 480V input voltages. Available only with 'PM' Mounting Type.



[www.kenall.com](http://www.kenall.com) | P: 800-4-Kenall | F: 262-891-9701 | 10200 55th Street Kenosha, Wisconsin 53144, USA

This product complies with the Buy American Act: manufactured in the United States with more than 50% of the component cost of US origin. It may be covered by patents found at [www.kenall.com/patents](http://www.kenall.com/patents). Content of specification sheets is subject to change; please consult [www.kenall.com](http://www.kenall.com) for current product details. ©2019 Kenall Mfg. Co.

A brand of **legrand**

HBMO26-111120

# LED HIGH BAY MAX™ OUTPUT

## Luminaires for High Bay Applications

### HBMO SERIES

#### PERFORMANCE

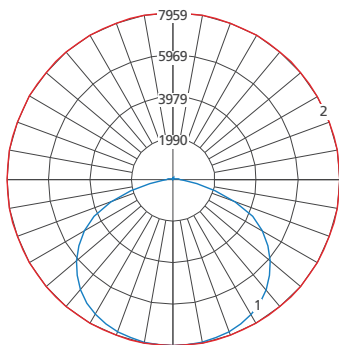
Lamp Type	Initial Delivered Lumens				Input Power (W)	Drive Current (mA)	Estd. L <sub>70</sub> LED Life (hrs)
	Type 5N DTA		Type 5N FTA				
	@25°C (lm)	Efficacy (lm/W)	@25°C (lm)	Efficacy (lm/W)			
300L57K	30,212	89	29,254	86	340	1050	80,000
300L50K	29,906	88	28,958	85	340	1050	80,000
300L40K	28,066	83	27,176	80	340	1050	80,000
300L40KH	26,225	77	25,394	75	340	1050	80,000
300L35K	26,225	77	25,394	75	340	1050	80,000

Lamp Type	Initial Delivered Lumens				Input Power (W)	Drive Current (mA)	Estd. L <sub>70</sub> LED Life (hrs)
	Type 5S DTA		Type 5S FTA				
	@25°C (lm)	Efficacy (lm/W)	@25°C (lm)	Efficacy (lm/W)			
300L57K	28,807	85	27,094	80	340	1050	80,000
300L50K	28,516	84	26,820	79	340	1050	80,000
300L40K	26,761	79	25,170	74	340	1050	80,000
300L40KH	25,006	74	23,520	69	340	1050	80,000
300L35K	25,006	74	23,520	69	340	1050	80,000

Lamp Type	Initial Delivered Lumens				Input Power (W)	Drive Current (mA)	Estd. L <sub>70</sub> LED Life (hrs)
	Type A DTA		Type A FTA				
	@25°C (lm)	Efficacy (lm/W)	@25°C (lm)	Efficacy (lm/W)			
300L57K	28,963	85	29,955	88	340	1050	80,000
300L50K	27,912	82	28,867	85	340	1050	80,000
300L40K	26,194	77	27,091	80	340	1050	80,000
300L40KH	24,476	72	25,315	74	340	1050	80,000
300L35K	24,476	72	25,315	74	340	1050	80,000

Displayed information above is for luminaires within a 25° ambient environment. Additional optical distributions are also available. Visit [www.kenall.com](http://www.kenall.com) for IES files and additional information.

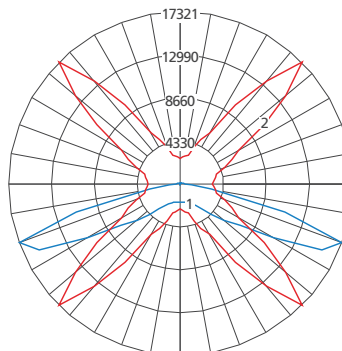
Model: HBMO26-PM-5N-DTA-MW-300L40K-DV



Maximum Candela = 7959 Located At Horizontal Angle = 0, Vertical Angle = 0

- 1 - Vertical Plane Through Horizontal Angles (0-180) (Through Max. Cd.)
- 2 - Horizontal Cone Through Vertical Angle (0) (Through Max. Cd.)

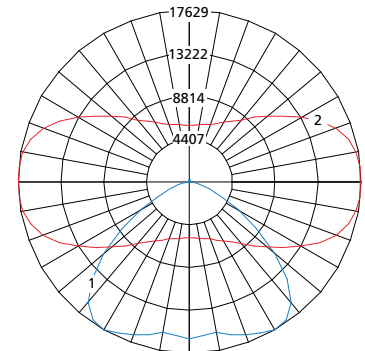
Model: HBMO26-PM-5S-DTA-MW-300L40K-DV



Maximum Candela = 17,321 Located At Horizontal Angle = 45, Vertical Angle = 70

- 1 - Vertical Plane Through Horizontal Angles (45-225) (Through Max. Cd.)
- 2 - Horizontal Cone Through Vertical Angle (70) (Through Max. Cd.)

Model: HBMO26-PM-A-FTA-MW-300L40K-DV



Max Candela = 17629 Located At Horizontal Angle = 5, Vertical Angle = 30

- 1 - Vertical Plane Through Horizontal Angles (5 - 185) (Through Max. Cd.)
- 2 - Horizontal Cone Through Vertical Angle (30) (Through Max. Cd.)



[www.kenall.com](http://www.kenall.com) | P: 800-4-Kenall | F: 262-891-9701 | 10200 55th Street Kenosha, Wisconsin 53144, USA

This product complies with the Buy American Act: manufactured in the United States with more than 50% of the component cost of US origin. It may be covered by patents found at [www.kenall.com/patents](http://www.kenall.com/patents). Content of specification sheets is subject to change; please consult [www.kenall.com](http://www.kenall.com) for current product details. ©2019 Kenall Mfg. Co.

A brand of **legrand**

HBMO26-111120

# LED HIGH BAY MAX™ OUTPUT

Luminaires for High Bay Applications

## HBMO SERIES

### DIMENSIONAL DATA

