

MILLENIUM FINITE™

FNL6 SERIES – INDIVIDUAL MOUNT

PRODUCT FEATURES:

- » Surface mount – wall; 1', 2', 3', 4', & 6' lengths
- » Extruded aluminum housing with die-cast end caps
- » Peace of Mind Guarantee® against breakage



PROJECT INFORMATION

Job Name _____

Fixture Type _____

Catalog Number _____

Approved by _____

SPECIFICATIONS

HOUSING: Marine grade aluminum. Extruded body with die-cast end caps. Post assembly TGIC polyester powder coat finished – 5-step pre-treatment.

REFLECTOR: Full reflector/wire cover – 92% reflectivity.

LENS: UV-stabilized high impact pearlescent polycarbonate. Symmetric optic includes diffuse, impact-resistant acrylic lens. Smooth exterior. Nominal thickness 0.125". Sealed with closed cell gaskets.

ELECTRICAL: Available 3000K, 3500K, 4000K and 5000K color temperatures, 82 CRI. 120-277VAC, 50/60Hz electrical input with serviceable high power factor electronic, constant-current driver (<20% THD, >0.95 PF). Standard 0-10V dimming with 1-100% range and dim-to-dark capabilities on 2'-6' models; 0-10V dimming with 10-100% range (non dim-to-dark) on 1' models; 330 µA max. source current. Optional embedded microwave motion sensor (MS) has factory default settings of 20 minute time out, dims down to 30%. Consult factory for fluorescent options.

SENSOR & CONTROLS: Optional sensor available with compatible third party controls. To see the full list of compatible controls, [click here](#).

INSTALLATION: 16-gauge stainless steel quick mount plate bolts to wall (fasteners by other), fixture attaches to mounting plate with quick mounting hook-and-lock mechanism and locked into place with captive Torx® T-20 center pin (or optional Phillips head) screws, which are concealed but accessible from bottom.

PHOTOMETRICS: Photometry tested to the IESNA LM-79-08 standard by an ILAC/ISO17025 accredited laboratory. For additional photometric information, go to www.kenall.com.

WARRANTY: Limited five (5) year LED warranty. [Peace of Mind Guarantee against breakage](#).

LISTINGS: Luminaire is certified to UL Standards by Intertek Testing Laboratory for Wet Location. ETL certified IP64 per IEC 60598. IESNA-designated full cut-off. Suitable for installation into -40°C to 40°C ambient environments, unless otherwise noted. Luminaire tested to an IK10 impact protection rating per IEC 60068-2-75:1997-08.



ORDERING INFORMATION (Ex: FNL6-48-DB-SYM-1-45L40K-DCC-DV)

Model	Length	Finish	Lens	Lamp Type	Driver	Voltage	Options
FNL6					DCC		
Length				Lamp Type	Driver Type		Options
12 1'				1'-1 Length	DCC Dimming Constant Current Driver		LEL • LED Emergency Battery Backup (3' or 4' LED only)
24 2'				1-12L30K 12 Watt 3000K LED			BPC Button Photocell (120 or 277V only)
36 3'				1-12L35K 12 Watt 3500K LED			FS Single Fuse & Holder
48 4'				1-12L40K 12 Watt 4000K LED			PH Phillips Head Fasteners
72 6'				1-12L50K 12 Watt 5000K LED			MS Motion Sensor (4' LED Only)
Finish				2' Lengths (Cross Section)	Voltage		
DB Dark Bronze				1-25L30K 25 Watt 3000K LED	120 120 Volts		
MB Matte Black				1-25L35K 25 Watt 3500K LED	277 277 Volts		
MW Matte White				1-25L40K 25 Watt 4000K LED	DV▲ 120-277 Volts		
CC Custom Color (Consult Factory)				1-25L50K 25 Watt 5000K LED			
Lens				3' Lengths (Cross Section)			
PP Pearlescent Polycarbonate				1-33L30K 33 Watt 3000K LED			
SYM Symmetric, Diffused DR Acrylic				1-33L35K 33 Watt 3500K LED			
				1-33L40K 33 Watt 4000K LED			
				1-33L50K 33 Watt 5000K LED			
				4' Lengths (Cross Section)			
				1-45L30K 45 Watt 3000K LED			
				1-45L35K 45 Watt 3500K LED			
				1-45L40K 45 Watt 4000K LED			
				1-45L50K 45 Watt 5000K LED			
				6' Lengths (Cross Section)			
				1-67L30K 67 Watt 3000K LED			
				1-67L35K 67 Watt 3500K LED			
				1-67L40K 67 Watt 4000K LED			
				1-67L50K 67 Watt 5000K LED			

• Note: EL option adds 12" to fixture length, LEL option adds 13.66" to 3', 13.78" to 4' lengths.
▲ n/a with BPC



www.kenall.com | P: 800-4-Kenall | F: 262-891-9700 | 10200 55th Street Kenosha, Wisconsin 53144, USA
This product is able to comply with the latest domestic preference legislation, such as the Buy American Act (BAA), Trade Agreement Act (TAA), Build America, Buy America Act (BABA), and others. It may be covered by patents found at www.kenall.com/patents. Content of specification sheets is subject to change; please consult www.kenall.com for current product details. ©2025 Kenall Mfg. Co.

A brand of **legrand**

MILLENNIUM FINITE™

FNL6 SERIES – Technical Data

PERFORMANCE

Length	Lamp Type	Initial Delivered Lumens		Input Power (W)	Drive Current (mA)	Estd. L70 LED Life (Hrs)
		@ 25°C (lm)	Efficacy (lm/W)			
12	12L30K	1,154	82	14	94	80,000
	12L35K	1,189	85			
	12L40K	1,230	88			
	12L50K	1,279	91			
24	25L30K	2,326	86	27	94	80,000
	25L35K	2,398	89			
	25L40K	2,480	92			
	25L50K	2,579	96			
36	33L30K	3,100	86	36	94	80,000
	33L35K	3,196	89			
	33L40K	3,305	92			
	33L50K	3,437	95			
48	45L30K	4,138	84	49	94	80,000
	45L35K	4,266	87			
	45L40K	4,412	90			
	45L50K	4,588	94			
72	67L30K	6,200	86	72	94	80,000
	67L35K	6,392	89			
	67L40K	6,610	92			
	67L50K	6,874	95			

Displayed information above is for PP Lens type only. Info subject to change. Visit www.kenall.com for IES files and additional information.



www.kenall.com | P: 800-4-Kenall | F: 262-891-9700 | 10200 55th Street Kenosha, Wisconsin 53144, USA

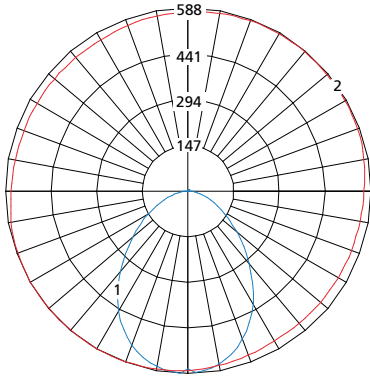
This product is able to comply with the latest domestic preference legislation, such as the Buy American Act (BAA), Trade Agreement Act (TAA), Build America, Buy America Act (BABA), and others. It may be covered by patents found at www.kenall.com/patents. Content of specification sheets is subject to change; please consult www.kenall.com for current product details. ©2025 Kenall Mfg. Co.

A brand of Legrand

MILLENIUM FINITE™

FNL6 SERIES – Technical Data

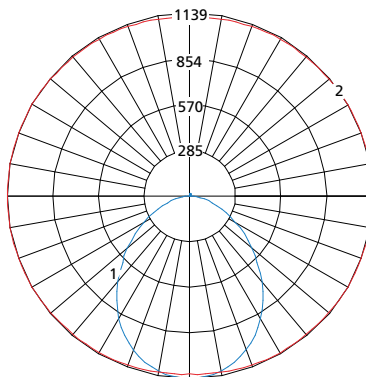
Model: FNL6-12-MW-SYM-12L40K-DCC-DV



Maximum Candela = 588 Located At Horizontal Angle = 240, Vertical Angle = 2.5

- 1 - Vertical Plane Through Horizontal Angles (240-60) (Through Max. Cd.)
- 2 - Horizontal Cone Through Vertical Angle (2.5) (Through Max. Cd.)

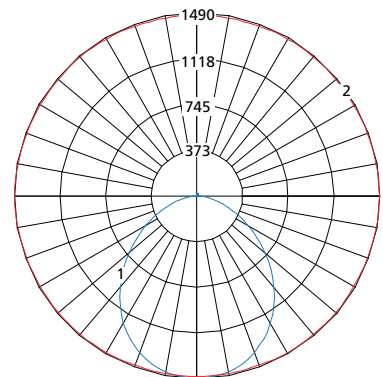
Model: FNL6-24-MW-SYM-25L40K-DCC-DV



Maximum Candela = 1139 Located At Horizontal Angle = 30, Vertical Angle = 2.5

- 1 - Vertical Plane Through Horizontal Angles (30-210) (Through Max. Cd.)
- 2 - Horizontal Cone Through Vertical Angle (2.5) (Through Max. Cd.)

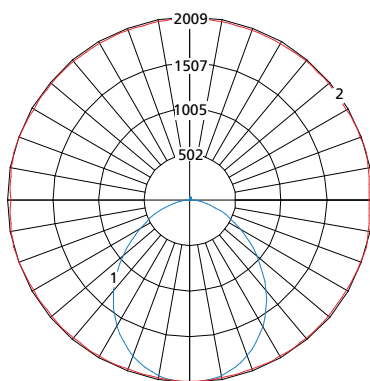
Model: FNL6-36-MW-SYM-33L40K-DCC-DV



Maximum Candela = 1490 Located At Horizontal Angle = 0, Vertical Angle = 2.5

- 1 - Vertical Plane Through Horizontal Angles (0-180) (Through Max. Cd.)
- 2 - Horizontal Cone Through Vertical Angle (2.5) (Through Max. Cd.)

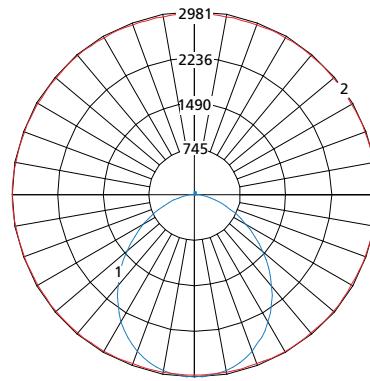
Model: FNL6-48-MW-SYM-45L40K-DCC-DV



Maximum Candela = 2009 Located At Horizontal Angle = 15, Vertical Angle = 2.5

- 1 - Vertical Plane Through Horizontal Angles (15-195) (Through Max. Cd.)
- 2 - Horizontal Cone Through Vertical Angle (2.5) (Through Max. Cd.)

Model: FNL6-72-MW-SYM-67L40K-DCC-DV

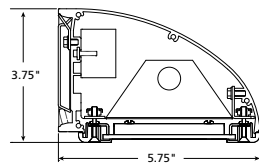


Maximum Candela = 2981 Located At Horizontal Angle = 0, Vertical Angle = 2.5

- 1 - Vertical Plane Through Horizontal Angles (0-180) (Through Max. Cd.)
- 2 - Horizontal Cone Through Vertical Angle (2.5) (Through Max. Cd.)

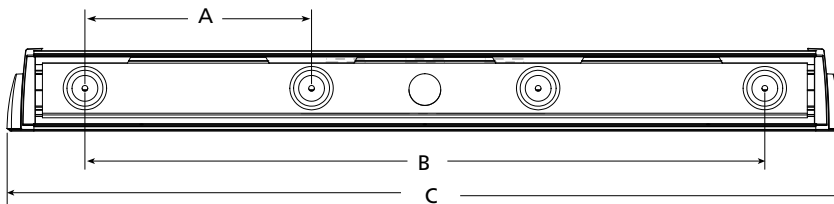
DIMENSIONAL DATA

CROSS SECTION/DETAILS



Nominal Fixture Legend

LMP	A	B	C
1'	n/a	8.00	14.18
2'	n/a	19.50	24.87
3'	9.50	28.50	35.21
4'	14.00	42.00	49.00
6'	20.00	60.00	70.00



www.kenall.com | P: 800-4-Kenall | F: 262-891-9700 | 10200 55th Street Kenosha, Wisconsin 53144, USA
 This product is able to comply with the latest domestic preference legislation, such as the Buy American Act (BAA), Trade Agreement Act (TAA), Build America, Buy America Act (BABA), and others. It may be covered by patents found at www.kenall.com/patents. Content of specification sheets is subject to change; please consult www.kenall.com for current product details. ©2025 Kenall Mfg. Co.

A brand of **Legrand**