

MIGHTY MAC™

CD SERIES

PRODUCT FEATURES:

- » Corner mount, hinged door
- » Available in 8" x 24" and 48" lengths
- » Vertically adjustable 2-bracket lens retention via 6" thru-stud spacing



SPECIFICATIONS

HOUSING: One piece die-formed prime grade material as specified – see Ordering Information. Corners continuously seam welded and smooth with no post grinding (TIG).

LENS: As specified – maximum total thickness .625" – see Ordering Information. Kenall recommends a clear outer lens with a prismatic, textured or diffused inner lens. Two clear lenses used in combination cannot be provided.

LENS RETENTION: Vertically adjustable continuous "Z" brackets of prime grade material, secured to housing via thru-studs (6" maximum spacing).

DOOR: One-piece die-formed prime grade material as specified – see Ordering Information.

HINGE: Staked and welded external piano hinge (1/2" knuckle/ 1/8" diameter pin) standard. See options for Full Length Internal Hinge (IHF).

FASTENERS: Hardened stainless steel security screws as specified – see Ordering Information. Fully recessed.

LUMINOUS SEAL: Polyurethane foam prevents light leaks from luminaire base.

FINISH: TGIC polyester powder coat – 5-stage pre-treatment. Salt spray test: 1,000 hours; Reflectance: 92%.

LED MODULE: Serviceable mid-power LED array. Minimum 80 CRI standard (R9>0), consult factory for optional 90CRI (R9>50). Maximum three-step MacAdam ellipse variation. See Ordering Information for available color temperature options.

DRIVER: 120-277VAC or 347VAC, 50/60Hz electrical input with serviceable constant-current driver (<20% THD, >0.90 PF). Minimum 85% driver efficiency. Standard 0-10V dimming with 1-100% range and dim-to-dark capabilities; 0.4mA maximum source current.

SENSOR & CONTROLS: Optional sensor available with compatible third party controls. To see the full list of compatible controls, click [here](#).

WARRANTY: Limited five (5) year warranty on LED lamps.

LISTINGS: Luminaire is certified to UL1598 and UL8750 standards by Intertek Testing Services for Damp Locations. See Ordering Information for optional Wet Location rating. Build America, Buy America Act compliant.



ORDERING INFORMATION (Ex: CD-2-0/0-25L35K-DCC-DV-SYM/B-1-FS)

Model	Size	Housing/Door	Lamp Type	Driver Type	Voltage	Lens (Inner/Outer)	Fasteners	Options
CD		/		DCC		/		
	Nominal Size		Lamp Code	Driver Type			Fastener	
	2 8" x 24"		2' Nominal Length	DCC 0-10V Dimming Constant Current			1 Torx® T-20 Head w/ Center Pin	
	4 8" x 48"		25L30K 25 Watt 3000K LED				2 Allen Head w/ Center Pin	
			25L35K 25 Watt 3500K LED	Input Voltage				
			25L40K 25 Watt 4000K LED	DV 120-277VAC, 50/60Hz				
			25L50K 25 Watt 5000K LED	347 347VAC, 60Hz				
	Housing/Door Material		4' Nominal Length	Lens (Inner/Outer)‡			Options	
	0 14-Ga CRS (Painted White)		45L30K 45 Watt 3000K LED	SYM Symmetric, Diffused DR Acrylic			LEL Integral 8.4W Emergency Battery Backup (4' only, 45L max; n/a 347V, 0°C min ambient)	
	1 16-Ga CRS (Painted White)		45L35K 45 Watt 3500K LED	0 No Lens			LELST Integral 6W Self-Testing Emergency Battery Backup (4' only, 45L max; n/a 347V, 0°C min ambient)	
	2* 18-Ga CRS (Painted White)		45L40K 45 Watt 4000K LED	1 .125" Prismatic Acrylic			NLW† 2700K White LED Night Light	
	3 14-Ga SS (Painted White)		45L50K 45 Watt 5000K LED	2 .125" Prismatic Polycarbonate			NLA† Amber LED Night Light	
	4 16-Ga SS (Painted White)		67L30K 67 Watt 3000K LED	3 .125" Textured Polycarbonate			FS Single Fuse & Holder	
	6 14-Ga SS (Brushed)		67L35K 67 Watt 3500K LED	G^ .125" Clear Polycarbonate			IHF Full Length Internal Hinge	
	7 16-Ga SS (Brushed)		67L40K 67 Watt 4000K LED	4 .156" Prismatic Polycarbonate			KO 1/2" (1.27cm) EMT Knockout	
			67L50K 67 Watt 5000K LED	TG .250" Textured Tempered Glass			RGTR Removable Gear Tray	
			90L30K 90 Watt 3000K LED	6 .187" Prismatic Polycarbonate			SK Speaker Housing Extension	
			90L35K 90 Watt 3500K LED	7^ .187" Clear Polycarbonate			WL Wet Location Listed	
			90L40K 90 Watt 4000K LED	8^ .187" Clear Tempered Glass				
			90L50K 90 Watt 5000K LED	9^ .250" Clear Polycarbonate				
				A^ .250" Clear Tempered Glass				
				B^ .375" Clear Polycarbonate				
				C^ .375" Clear Tempered Glass				
				J^ .500" Clear Polycarbonate				
				P^ .500" Clear Tempered Glass				
							*	n/a as Door Material
							»	Can only be used with clear outer lens
							‡	Refer to lens specifications
							^	Must be paired with prismatic, textured or diffused lens
							†	n/a with 347 input



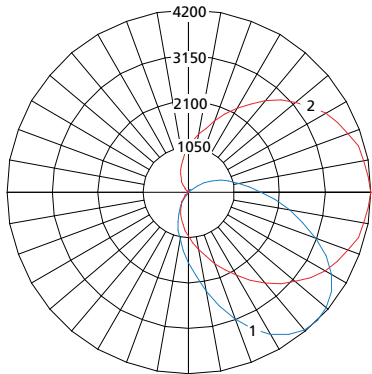
CD SERIES

PERFORMANCE

Model	Lamp Type	Initial Delivered Lumens		Input Power (W)	Drive Current (mA)	Estd. L70 LED Life (Hrs)
		@ 25°C	Efficacy (lm/W)			
CD-2	25L30K	2,151	76	28	117	80,000
	25L35K	2,217	78	28	117	80,000
	25L40K	2,293	81	28	117	80,000
	25L50K	2,385	84	28	117	80,000
CD-4	45L30K	4,072	88	46	100	80,000
	45L35K	4,198	91	46	100	80,000
	45L40K	4,341	94	46	100	80,000
	45L50K	4,519	97	46	100	80,000
	67L30K	6,502	87	74	75	80,000
	67L35K	6,703	90	74	75	80,000
	67L40K	6,932	93	74	75	80,000
	67L50K	7,216	97	74	75	80,000
	90L30K	8,030	83	97	100	80,000
	90L35K	8,278	86	97	100	80,000
	90L40K	8,560	88	97	100	80,000
	90L50K	8,911	92	97	100	80,000

NOTE: All products tested with SYM/B lens configuration. See "Lumen Output Scaling Factor" table for output values with alternate lens configurations. Information subject to change without notice. Visit www.kenall.com for IES files and additional information.

Model: CD-4-x-y-90L40K-DCC-z-SYM-B-1



Maximum Candela = 4200 Located At Horizontal Angle = 0, Vertical Angle = 45

- 1 - Vertical Plane Through Horizontal Angles (0-180) (Through Max. Cd.)
- 2 - Horizontal Cone Through Vertical Angle (45) (Through Max. Cd.)

LUMEN OUTPUT SCALING FACTORS

Lens Configuration	Inner Lens	Outer Lens	Scaling Factor
SYM/G	1/8" Frost Acrylic	1/8" Clear PC	1.10
SYM/7		3/16" Clear PC	1.06
SYM/8		3/16" Clear TG	1.06
SYM/9		1/4" Clear PC	1.03
SYM/B		3/8" Clear PC	1.00
SYM/C		3/8" Clear TG	1.03
SYM/J		1/2" Clear PC	0.99
1/G	1/8" Prismatic Acrylic	1/8" Clear PC	1.04
1/9		1/4" Clear PC	0.99
1/B		3/8" Clear PC	0.99
2/J	1/8" Prismatic PC	1/2" Clear PC	0.87

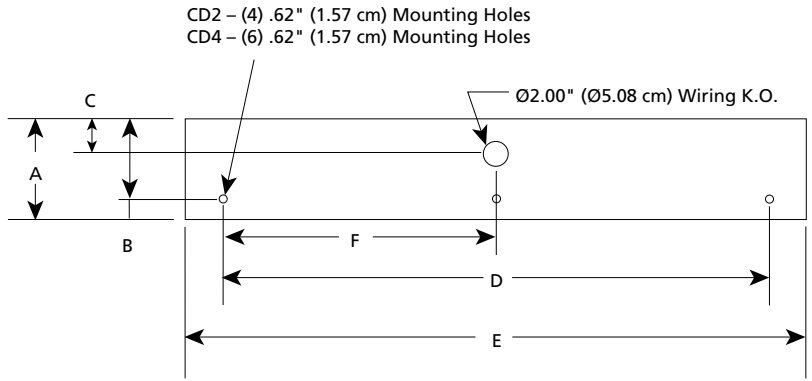
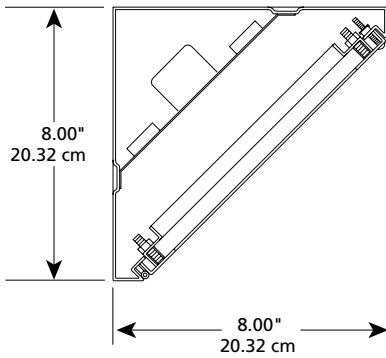
NOTE: Use this table to determine the lumen output and efficacy of the desired lens configuration by multiplying the provided value with the appropriate number in the "Performance" table above.



MIGHTY MAC™

CD SERIES

DIMENSIONAL DATA



DIMENSIONAL DATA (IN INCHES/CM)						
	A	B	C	D	E	F
CD2	8.00/20.32	6.43/16.33	2.75/6.99	19.50/49.53	25.37/64.44	—
CD4	8.00/20.32	6.43/16.33	2.75/6.99	43.50/110	49.37/125	21.75/55.25

