

MIGHTY MAC™

WCT SERIES

PRODUCT FEATURES:

- » Surface wall mount – (9"×14")×29", (9"×14")×53"
- » One aperture
- » TIG welded housing with no post grinding for additional strength
- » Vertically adjustable bracket secured to housing via thru-studs
- » Completely concealed internal drop slot piano hinge



PROJECT INFORMATION

Job Name _____

Fixture Type _____

Catalog Number _____

Approved by _____

SPECIFICATIONS

HOUSING: One-piece die-formed prime grade material as specified – see ordering information. Corners continuously seam welded and smooth with no post grinding (TIG). Clamshell housing resistant to penetration and contraband concealment. TGIC polyester powder coat – 5-stage pre-treatment. Salt spray test: 1,000 hours; Reflectance: 92%.

BASEPLATE: Prime grade material as specified – see ordering information. Die-formed blade trap (1/4" minimum) prevents contraband concealment and access. Embossed standoffs prevent distortion.

LENS: As specified – maximum thickness .625" – see ordering information. Kenall recommends a prismatic inner lens and a clear outer lens. Two clear lenses used in combination cannot be provided.

LENS RETENTION: Vertically adjustable continuous "Z" brackets of prime grade material, secured to housing via thru-studs (6" maximum spacing).

HINGE: 2' completely concealed internal drop slot piano hinge (1/2" knuckle/1/8" diameter pin) standard. Pin secured to knuckle. Hinge welded to housing and mounts to baseplate via keyholes. See Options for Full Length Internal Hinge (IHf).

FASTENERS: Hardened security screws as specified – see ordering information. Fully recessed.

LED ELECTRICAL: Available 3000K, 3500K, 4000K and 5000K color temperatures, 82 CRI. 120-277VAC, 50/60Hz electrical input with serviceable high power factor electronic, constant-current driver (<20% THD, >0.95 PF). Standard 0-10V dimming with 3-100% range, maximum driver source of 250 µA.

SENSOR & CONTROLS: Optional sensor available with compatible third party controls. To see the full list of compatible controls, click [here](#).

LAMPS: Quantity and type as specified – see ordering information. Lamps supplied by others.

BALLAST: Quantity and type as specified – see ordering information. All ballasts UL listed class P. Optional removable reflector/lamp/ballast tray with quick disconnect.

LUMINOUS SEAL: Polyurethane foam prevents light leaks from luminaire base.

INSTALLATION: Fixture not suitable for Surface Conduit or Continuous Row Mounting.

PHOTOMETRICS: For photometric information, go to www.kenall.com.

WARRANTY: Limited five (5) year warranty on LED lamps.

LISTINGS: EL: UL and CUL Listed for Damp Locations. LED: Luminaire is certified to UL1598 and UL8750 standards by Intertek Testing Services for Damp Locations.



ORDERING INFORMATION (Ex: WCT-2-0/0-2-17-RS-1-120-1/B-1)

Model	Size	Hsg./Base Plate	Lamp Qty	Lamp Type	Ballast/Driver	Ballast Qty	Voltage	Lens (Inner/Outer)	Fasteners	Options
WCT										
Nominal Size		Lamp Type			Voltage		Options			
2	(9"×14")×29"	2' Nominal Length			120	120 Volts	LEL Integral 8.4W Emergency Battery Backup (4' only; n/a 347V, 0°C min ambient)			
4	(9"×14")×53"	25L30K 25 Watt 3000K LED			277	277 Volts	LELST Integral 6W Self-Testing Emergency Battery Backup (4' only; n/a 347V, 0°C min ambient)			
Housing/Base Material		25L35K 25 Watt 3500K LED			347 347 Volts		EL† Standard Lumen EL Pack			
0	14-Ga CRS (Painted White)	25L40K 25 Watt 4000K LED			DV 120-277 Volts		DLN LED Night Light w/Light Level Control (100% - 20%. Voltage specific selection required.)			
1	16-Ga CRS (Painted White)	25L50K 25 Watt 5000K LED			† Symmetric, Diffused DR Acrylic		DLN LED Night Light w/Light Level Control (100% - 20%. Voltage specific selection required.)			
3	14-Ga SS (Painted White)	17 F17T8			0 No Lens		FS Single Fuse & Holder			
4	16-Ga SS (Painted White)	4' Nominal Length			1 .125" Prismatic Acrylic		IHF Full Length Internal Hinge			
6*	14-Ga SS (Brushed)	45L30K 45 Watt 3000K LED			2 .125" Prismatic Polycarbonate		RGT Removable Gear Tray			
7*	16-Ga SS (Brushed)	45L35K 45 Watt 3500K LED			3 .125" Textured Polycarbonate		RPL* Recessed Push Switch – Left side (as viewed facing fixture)			
9	12-Ga CRS (Painted White)	45L40K 45 Watt 4000K LED			G▲ .125" Clear Polycarbonate		RPR* Recessed Push Switch – Right side (as viewed facing fixture)			
Lamp Quantity (n/a with LED)		45L50K 45 Watt 5000K LED			4 .156" Prismatic Polycarbonate		SKL Speaker Hsg Extension – Left side (as viewed facing fixture)			
1	One	32 F32T8			TG .250" Textured Tempered Glass		SKR Speaker Hsg Extension – Right side (as viewed facing fixture)			
2	Two	Ballast/Driver Type			6 .187" Prismatic Polycarbonate					
		IS Instant Start Electronic <10% THD (T8)			7▲ .187" Clear Polycarbonate					
		RS Rapid Start Electronic <10% THD (T8)			8▲ .187" Clear Tempered Glass					
		DCC Dimming Constant Current LED Driver			9▲ .250" Clear Polycarbonate					
		Ballast Quantity (n/a with LED)			A▲ .250" Clear Tempered Glass					
		1 One			B▲ .375" Clear Polycarbonate					
		2 Two			C▲ .375" Clear Tempered Glass					
					J▲ .500" Clear Polycarbonate					
					P▲ .500" Clear Tempered Glass					
					Fastener					
					1 Torx® T-20 Head w/ Center Pin					
					2 Allen Head w/ Center Pin					



www.kenall.com | P: 800-4-Kenall | F: 262-891-9701 | 10200 55th Street Kenosha, Wisconsin 53144, USA

A brand of **legrand**

This product complies with the Buy American Act: manufactured in the United States with more than 50% of the component cost of US origin. It may be covered by patents found at www.kenall.com/patents. Content of specification sheets is subject to change; please consult www.kenall.com for current product details. ©2022 Kenall Mfg. Co.

MIGHTY MAC™

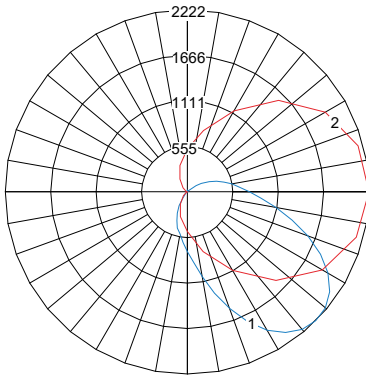
WCT SERIES

PERFORMANCE

Nominal Size	Lamp Type	Initial Delivered Lumens		Input Power (W)	Drive Current (mA)	Estd. L70 LED Life (Hrs)
		@ 25°C	Efficacy (lm/W)			
2	25L30K	2,099	74	28	117	80,000
	25L35K	2,164	76	28	117	80,000
	25L40K	2,238	79	28	117	80,000
	25L50K	2,328	82	28	117	80,000
4	45L30K	3,975	86	46	100	80,000
	45L35K	4,098	89	46	100	80,000
	45L40K	4,237	92	46	100	80,000
	45L50K	4,411	95	46	100	80,000

NOTE: All products tested with SYM/B lens configuration. See "Lumen Output Scaling Factor" table for output values with alternate lens configurations. Information subject to change without notice. Visit www.kenall.com for IES files and additional information.

Model: WCT-4-x-y-45L40K-DCC-z-SYM-B-1



Maximum Candela = 2222 Located At Horizontal Angle = 0, Vertical Angle = 45

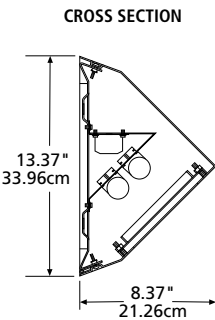
- 1 - Vertical Plane Through Horizontal Angles (0-180) (Through Max. Cd.)
- 2 - Horizontal Cone Through Vertical Angle (45) (Through Max. Cd.)

LUMEN OUTPUT SCALING FACTORS

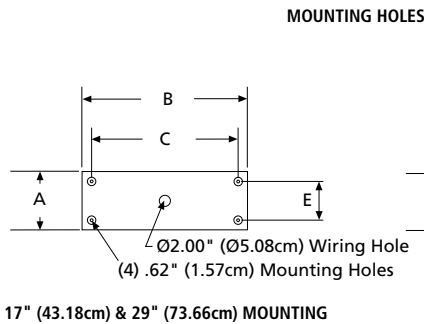
Lens Configuration	Inner Lens	Outer Lens	Scaling Factor
SYM/G	1/8" Frost Acrylic	1/8" Clear PC	1.10
SYM/7		3/16" Clear PC	1.06
SYM/8		3/16" Clear TG	1.06
SYM/9		1/4" Clear PC	1.03
SYM/B		3/8" Clear PC	1.00
SYM/C		3/8" Clear TG	1.03
SYM/J		1/2" Clear PC	0.99
1/G	1/8" Prismatic Acrylic	1/8" Clear PC	1.04
1/9		1/4" Clear PC	0.99
1/B		3/8" Clear PC	0.99
2/J	1/8" Prismatic PC	1/2" Clear PC	0.87

NOTE: Use this table to determine the lumen output and efficacy of the desired lens configuration by multiplying the provided value with the appropriate number in the "Performance" table above.

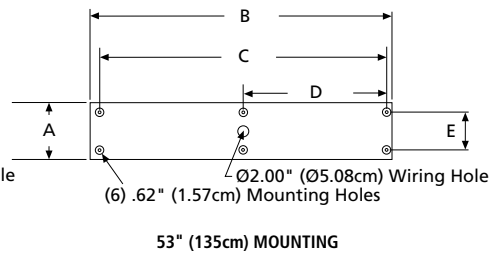
DIMENSIONAL DATA



CROSS SECTION



MOUNTING HOLES



DIMENSIONAL DATA (IN INCHES & CM)

	A	B	C	D	E
29" Length	13.37	28.75	24.00	—	7.00
(73.66cm)	33.96cm	73.03cm	60.96cm	—	17.78cm
53" Length	13.37	52.75	48.00	24.00	7.00
(1.35m)	33.96cm	134cm	122cm	60.96cm	17.78cm



www.kenall.com | P: 800-4-Kenall | F: 262-891-9701 | 10200 55th Street Kenosha, Wisconsin 53144, USA

This product complies with the Buy American Act: manufactured in the United States with more than 50% of the component cost of US origin. It may be covered by patents found at www.kenall.com/patents. Content of specification sheets is subject to change; please consult www.kenall.com for current product details. ©2022 Kenall Mfg. Co.

A brand of **Legrand**