

# TEKLINK™ TL1000/2000 FOR TOPDEK™ POST TOP Control System Specification

## TPDPT-TL1000/2000 SYSTEM

### PRODUCT FEATURES:

- » Wireless OR Wired Communication
- » Configure System through Web Browser
- » Integral Occupancy Detection
- » Monitor Lighting Power Consumption
- » Monitor Occupancy Events



### PROJECT INFORMATION

Job Name \_\_\_\_\_

Fixture Type \_\_\_\_\_

Catalog Number \_\_\_\_\_

Approved by \_\_\_\_\_

### SPECIFICATIONS:

**PRODUCT BRIEF:** TekLink™ TL1000 and TL2000 are cloud-based, adaptive lighting control systems that utilize wired and wireless (respectively) communication between system nodes. The system consists mainly of luminaire-integrated lighting controllers (BORGs), integrated Sensors, Bridges, and a Gateway. This specification provides information on the luminaire level control components. Please see the [Bridge and Gateway Specification](#) sheet for additional system information.

**TEKLINK TL1000/2000 BORG:** Integral controllers located in LED luminaires, sensors, and as stand-alone devices; BORGs (Board on Radio Grid) measure and record system data and activity. The LED luminaires react to changes in the environment based on a programmable lighting schedule. TL1000 BORGs utilize wired (shielded twisted pair) communication to exchange information built on the CAN bus protocol. TL2000 BORGs use wireless communication (900 MHz), designed to the IEEE 802.15.4 standard.

**TEKLINK SENSOR:** Operates by low-voltage power provided by the BORG or LED driver and provides Passive Infrared (PIR) occupancy detection with integral light level sensing. Lens options provide 357° coverage at various mounting heights and coverage areas listed in the table below.

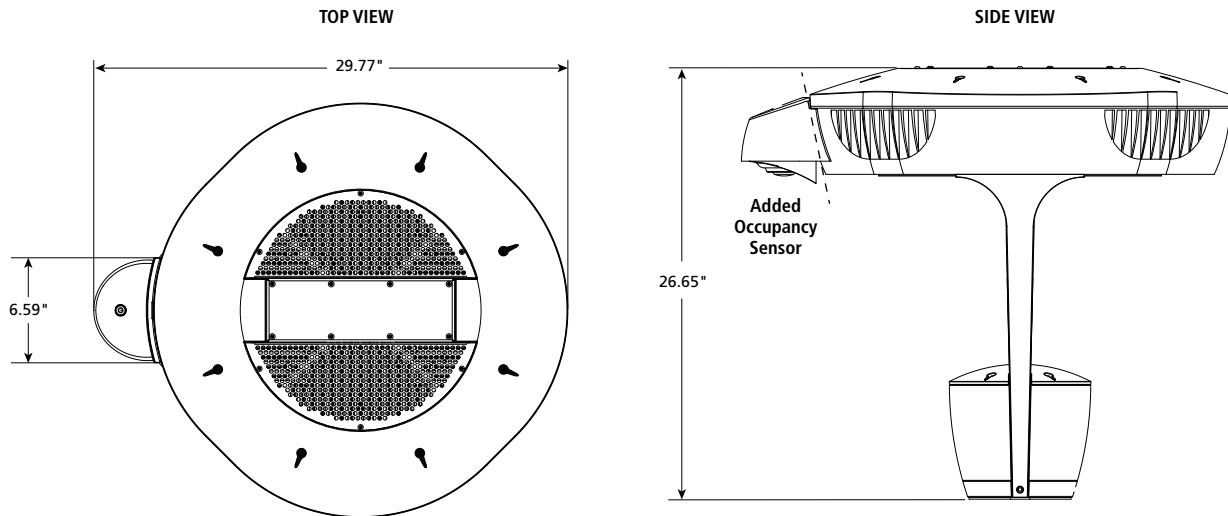
**INSTALLATION:** Control components and sensor housing pre-attached to TD17 housing at factory.

**WARRANTY:** Limited five (5) year warranty.



## TPDPT-TL1000/2000 – Technical Data

### DIMENSIONAL DATA



Lens Option	Lens Angle	Maximum Coverage	Mounting Height
TL168	357°	16' diameter	8'
TL488	357°	48' diameter	8'
TL6020	357°	60' diameter	20'



www.kenall.com | P: 800-4-Kenall | F: 262-891-9701 | 10200 55th Street Kenosha, Wisconsin 53144, USA

A brand of **legrand**

This product complies with the Buy American Act: manufactured in the United States with more than 50% of the component cost of US origin. It may be covered by patents found at [www.kenall.com/patents](http://www.kenall.com/patents). Content of specification sheets is subject to change; please consult [www.kenall.com](http://www.kenall.com) for current product details. ©2019 Kenall Mfg. Co.