

# SENSCAPE™

## SPG18 SERIES

### PRODUCT FEATURES:

- » Textured tertiary lens for glare reduction and up-light feature to eliminate “cave-effect”
- » Outputs ranging from 3,086 lm to 12,943 lm
- » Compatible with TekLink™ lighting control technology
- » 10 Year limited product warranty



(optional debris shield (-DS))

### SPECIFICATIONS

**HOUSING:** Marine-grade die-cast aluminum and UV-stabilized polycarbonate construction. Standard TGIC polyester powder coat finish on aluminum components with five-step pre-treatment to withstand 1,000 hour salt spray test per ASTM B117. Painted white finish. Closed-cell silicone gasketing seals all housing component interfaces.

**TRIM:** High-impact resistant, UV-stabilized polycarbonate. See ordering information for available finishes.

**MOUNTING:** Direct-to-Surface (DTS) mounts over recessed electrical box to ceiling, Quick-Mount (QM) mounts to either surface or recessed electrical box, Trunnion Mount (TK) or pendant-mounted (PM) via ¾” rigid sealed conduit. See Ordering Information for selection.

**OPTICAL:** Type V-Square, V-Narrow and House-side Shield distributions. Multiple uplight options optically coupled to primary light source requires no additional electrical power to provide function. UV-stabilized, high-impact resistant injection-molded clear textured polycarbonate or DR acrylic tertiary lens.

**ELECTRICAL:** Arrayed backlit mid-power LED light source. See Ordering Information for color temperature and CRI options. 70 CRI minimum. 120-277 VAC, 347VAC and 480VAC 50/60Hz single-phase input; constant-current dimming driver; <20% THD, >0.90 PF. Minimum 83% electrical efficiency. 0-10V dimming protocol with 10-100% range (1-100% on 45L and 70L); dim-to-dark capabilities on 45L/70L/104L/122L; 0.9mA max source current. Replaceable surge suppressor rated to 20kA/kV per IEEE/ANSI C62.41 Cat. A. EMC compliant with FCC 47 CFR Part 15, Class B. Passes IEC 61000-4-4 EFT and IEC 61000-4-5 (Class 4) surge evaluation.

**TEKLINK™ TL50M/TL50DM:** An independent lighting control system integral to the luminaire, featuring its own embedded occupancy sensor and adjustable time-out/dimming settings. TL50DM adds a closed-loop daylight harvesting function for maximum energy savings.

**TEKLINK™ TL100:** Centralized, wired zonal occupancy and closed-loop daylight harvesting control system. TL100 controllers are standalone devices and ordered separately from luminaire. [Click here for specifications.](#)

**TEKLINK™ TL1000/2000:** An adaptive lighting control system with wired or wireless communication between system nodes. In addition to occupancy detection and daylight harvesting, TL1000 and TL2000 feature advanced scheduling and energy management capabilities with cloud-based management of system settings, reporting and notifications.

**SENSOR & CONTROLS:** Optional sensor available with compatible third party controls. To see the full list of compatible controls, [click here.](#)

**PHOTOMETRICS:** Photometry tested to the IESNA LM-79-08 standard by an ILAC/ISO17025 accredited laboratory. For photometric data, please go to [www.kenall.com](http://www.kenall.com).

**WARRANTY:** Limited ten (10) year warranty. Limited five (5) year warranty when constructed with HA option. [Peace of Mind Guarantee®](#) when ordered and installed with direct-to-surface (DTS) mounting and polycarbonate lens (TP).

**LISTINGS:** Luminaire is certified to UL Standards by Intertek Testing Laboratory for Wet Location. IP65 rating per IEC 60598 standard with optional IP66 rating. Suitable for installation into -40°C to 40°C ambient environments, unless otherwise noted. Passes 3G vibration test per ANSI C136.31-2001. Luminaire tested to an IK10 impact protection rating per IEC 60068-2-75:1997-08 (TP Lens Type required). Build America, Buy America Act compliant.



POLYCARBONATE LENS & DIRECT SURFACE MOUNT ONLY



### ORDERING INFORMATION (Ex: SPG18-PM-MW-5S-SU-TP-45L-40K7-DCC-DV-IP66-TL50M)

Model	Mounting	Trim	Optic Type	Uplight	Lens Type	Lamp Power	Lamp Color	Driver Type	Voltage	Options	Accessories	TekLink	Controls Kit
<b>SPG18</b>													<b>DCC</b>
													<b>&lt; &gt;</b>
<b>Mounting</b>					<b>Lamp Power</b>			<b>Driver Type</b>			<b>TekLink</b>		
<b>DTS</b>	Direct-to-Surface				<b>30L</b>	30W LED		<b>DCC</b>	0-10V Dimming Constant Current		<b>TL50M*</b>	Non-Networked Control - Motion Only <a href="#">(Click here for specifications)</a>	
<b>PM</b>	Pendant Mount				<b>45L</b>	45W LED					<b>TL50DM*</b>	Non-Networked Control -Daylight Harvesting and Motion Sensing <a href="#">(Click here for specifications)</a>	
<b>TK</b>	Trunnion Kit				<b>70L</b>	70W LED		<b>Voltage</b>			<b>TL100*</b>	Wired Network Control - Basic <a href="#">(Click here for specifications)</a>	
<b>QM</b>	Quick Mount System				<b>90L</b>	90W LED		<b>DV</b>	120-277 VAC, 50/60Hz (30L - 90L only)		<b>TL1000*</b>	Wired Network Control - Advanced <a href="#">(Click here for specifications)</a>	
					<b>104L</b>	104W LED		<b>CV</b>	277-480 VAC, 50/60Hz (104L - 122L only)		<b>TL2000*</b>	Wireless Network Control - Advanced <a href="#">(Click here for specifications)</a>	
					<b>122L</b>	122W LED		<b>347</b>	347VAC, 60Hz				
								<b>480</b>	480VAC, 60Hz				
<b>Trim Finish</b>					<b>Lamp Color</b>			<b>Options</b>					
<b>MW</b>	Matte White (STD)				<b>30K8</b>	3000K/80CRI min		<b>LEL†</b>	10W LED Emergency Battery Backup (0°C min. ambient, 70L max.)		Please consult Kenall Applications when ordering controls. When specifying with integral controls, a mounting height of 10'-14" is recommended for optimal sensor coverage; 20' maximum with reduced coverage.		
<b>LG</b>	Light Gray				<b>35K8</b>	3500K/80CRI min		<b>CEL†</b>	10W Cold-Weather Battery Backup (-20°C min. ambient, 70L max.)				
<b>CC</b>	Custom Color (consult factory)				<b>40K8</b>	4000K/80CRI min		<b>GTDU†</b>	UL924 and UL1008 Listed Switch Bypass/Lighting Transfer Switch with 0-10V Dimming Override (90L max; not available with LEL/CEL Option)				
					<b>40K7</b>	4000K/70CRI min		<b>FS</b>	Single Fuse & Holder				
<b>Optic Type</b>					<b>50K7</b>	5000K/70CRI min		<b>BG</b>	Bird Guard (DTS and QM Mounting only)		<b>Controls Kit</b> < > Factory Assigned Internal Code		
<b>5S</b>	Type V – Wide Square				<b>57K7</b>	5700K/70CRI min		<b>DS*</b>	Debris Shield				
<b>5N</b>	Type V – Narrow							<b>IP66</b>	IP66 Rating per IEC60598				
<b>HSS</b>	House-side Shield							<b>HA*</b>	50°C Ambient Rating (see Warranty; n/a battery backup options)				
<b>Uplight</b>								<b>Accessories</b>					
<b>SU</b>	Standard Uplight (STD)							<b>BD</b>	Bird Deterrent (PM and TK Mounting only)				
<b>EU</b>	Enhanced Uplight												
<b>D</b>	Downlight												
<b>Lens Type</b>													
<b>TP</b>	Textured Polycarbonate (STD)												
<b>TA</b>	Textured Acrylic												



www.kenall.com | P: 800-4-Kenall | F: 262-891-9700 | 10200 55th Street Kenosha, Wisconsin 53144, USA  
 This product is able to comply with the latest domestic preference legislation, such as the Buy American Act (BAA), Trade Agreement Act (TAA), Buy America Act (BABA), and others. It may be covered by patents found at [www.kenall.com/patents](http://www.kenall.com/patents). Content of specification sheets is subject to change; please consult [www.kenall.com](http://www.kenall.com) for current product details. ©2025 Kenall Mfg. Co.

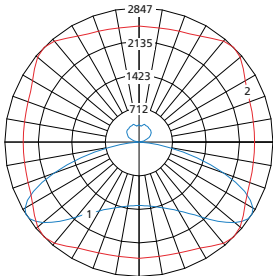
A brand of **legrand**  
 Build America, Buy America Act (BABA), and others.

Optic			Lamp Power	Initial Delivered Lumens, By Lamp Color [Downlight / Uplight] (lm)						Efficacy (lm/W)	Input Power (W)	Estd. L70 LED Life (hrs)	LEL/CEL Delivered Output in Battery Mode (lm)
Distribution	Uplight	Lens Type		57K7	50K7	40K7	40K8	35K8	30K8				
55	SU (12%)	TA	30L	4,366	4,366	4,366	4,065	4,065	3,779	109 - 126	35	125,000	1,090
			45L	6,448	6,448	6,448	6,003	6,003	5,581	101 - 116	55	120,000	
			70L	8,744	8,744	8,744	8,141	8,141	7,568	98 - 113	78	100,000	
			90L	11,101	11,101	11,101	10,335	10,335	9,608	94 - 109	102	80,000	
		Tp	30L	4,444	4,444	4,444	4,138	4,138	3,847	111 - 129	35	125,000	1,110
			45L	6,563	6,563	6,563	6,110	6,110	5,680	102 - 118	55	120,000	
			70L	8,901	8,901	8,901	8,287	8,287	7,704	99 - 115	78	100,000	
			90L	11,299	11,299	11,299	10,520	10,520	9,780	96 - 111	102	80,000	
	EU (18%)	TA	30L	4,348	4,348	4,348	4,048	4,048	3,763	109 - 126	35	125,000	1,090
			45L	6,421	6,421	6,421	5,978	5,978	5,557	100 - 116	55	120,000	
			70L	8,708	8,708	8,708	8,107	8,107	7,537	97 - 112	78	100,000	
			90L	11,055	11,055	11,055	10,292	10,292	9,568	94 - 108	102	80,000	
		TP	30L	4,426	4,426	4,426	4,121	4,121	3,831	111 - 128	35	125,000	1,110
			45L	6,536	6,536	6,536	6,085	6,085	5,657	102 - 118	55	120,000	
			70L	8,864	8,864	8,864	8,252	8,252	7,672	99 - 114	78	100,000	
			90L	11,252	11,252	11,252	10,476	10,476	9,739	95 - 110	102	80,000	
	D (0%)	TA	30L	3,992	3,992	3,992	3,717	3,717	3,455	100 - 116	35	125,000	1,000
			45L	5,895	5,895	5,895	5,489	5,489	5,103	92 - 106	55	120,000	
			70L	7,995	7,995	7,995	7,444	7,444	6,920	89 - 103	78	100,000	
			90L	10,150	10,150	10,150	9,450	9,450	8,785	86 - 100	102	80,000	
		TP	30L	4,064	4,064	4,064	3,783	3,783	3,517	102 - 118	35	125,000	1,020
			45L	6,001	6,001	6,001	5,587	5,587	5,194	94 - 108	55	120,000	
			70L	8,138	8,138	8,138	7,577	7,577	7,044	91 - 105	78	100,000	
			90L	10,332	10,332	10,332	9,619	9,619	8,942	88 - 101	102	80,000	

Information above is subject to change without notice. Visit [www.kenall.com](http://www.kenall.com) for IES files and additional information.

**Standard Uplight**

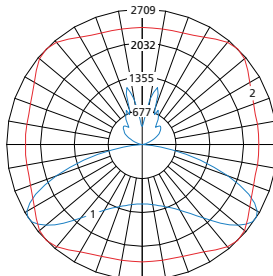
Model: SPG18-DTS-MW-55-SU-TP-90L-40K7-DCC-DV



Max Candela = 2847 Located At Horizontal Angle = 45, Vertical Angle = 57.5  
 1 - Vertical Plane Through Horizontal Angles (45 - 225) (Through Max. Cd.)  
 2 - Horizontal Cone Through Vertical Angle (57.5) (Through Max. Cd.)

**Enhanced Uplight**

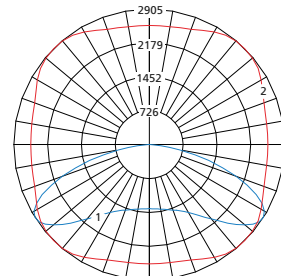
Model: SPG18-DTS-MW-55-EU-TP-90L-40K7-DCC-DV



Max Candela = 2709 Located At Horizontal Angle = 45, Vertical Angle = 57.5  
 1 - Vertical Plane Through Horizontal Angles (45 - 225) (Through Max. Cd.)  
 2 - Horizontal Cone Through Vertical Angle (57.5) (Through Max. Cd.)

**Downlight**

Model: SPG18-DTS-MW-55-D-TP-90L-40K7-DCC-DV



Max Candela = 2905 Located At Horizontal Angle = 45, Vertical Angle = 57.5  
 1 - Vertical Plane Through Horizontal Angles (45 - 225) (Through Max. Cd.)  
 2 - Horizontal Cone Through Vertical Angle (57.5) (Through Max. Cd.)

**LUMEN AMBIENT TEMPERATURE (LAT) FACTORS**

Avg. Ambient Temperature	10°C	15°C	20°C	25°C	30°C	35°C	40°C
Lumen Output Factor	1.03	1.02	1.01	1	0.99	0.98	0.97

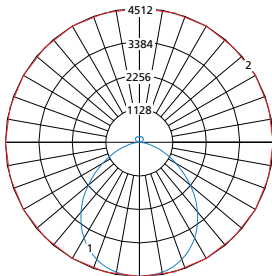


Optic			Lamp Power	Initial Delivered Lumens, By Lamp Color [Downlight / Uplight] (lm)						Efficacy (lm/W)	Input Power (W)	Estd. L70 LED Life (hrs)	LEL/CEL Delivered Output in Battery Mode (lm)
Distribution	Uplight	Lens Type		57K7	50K7	40K7	40K8	35K8	30K8				
5N	SU (6%)	TA	30L	4,561	4,561	4,561	4,247	4,247	3,948	114 - 132	35	125,000	1,140
			45L	6,736	6,736	6,736	6,271	6,271	5,830	105 - 121	55	120,000	
			70L	9,135	9,135	9,135	8,505	8,505	7,907	102 - 118	78	100,000	
			90L	11,597	11,597	11,597	10,797	10,797	10,038	98 - 114	102	80,000	
		TP	30L	4,613	4,613	4,613	4,295	4,295	3,993	116 - 134	35	125,000	1,160
			45L	6,812	6,812	6,812	6,342	6,342	5,896	106 - 123	55	120,000	
			70L	9,238	9,238	9,238	8,601	8,601	7,996	103 - 119	78	100,000	
			90L	11,728	11,728	11,728	10,919	10,919	10,151	100 - 115	102	80,000	
	EU (9%)	TA	30L	4,546	4,546	4,546	4,232	4,232	3,935	114 - 132	35	125,000	1,140
			45L	6,713	6,713	6,713	6,250	6,250	5,810	105 - 121	55	120,000	
			70L	9,104	9,104	9,104	8,476	8,476	7,880	102 - 117	78	100,000	
			90L	11,558	11,558	11,558	10,761	10,761	10,003	98 - 113	102	80,000	
		TP	30L	4,595	4,595	4,595	4,278	4,278	3,977	115 - 133	35	125,000	1,150
			45L	6,786	6,786	6,786	6,318	6,318	5,873	106 - 122	55	120,000	
			70L	9,203	9,203	9,203	8,568	8,568	7,965	103 - 119	78	100,000	
			90L	11,683	11,683	11,683	10,878	10,878	10,112	99 - 115	102	80,000	
	D (0%)	TA	30L	4,209	4,209	4,209	3,918	3,918	3,643	105 - 122	35	125,000	1,050
			45L	6,215	6,215	6,215	5,786	5,786	5,379	97 - 112	55	120,000	
			70L	8,429	8,429	8,429	7,847	7,847	7,295	94 - 109	78	100,000	
			90L	10,700	10,700	10,700	9,962	9,962	9,261	91 - 105	102	80,000	
		TP	30L	4,364	4,364	4,364	4,063	4,063	3,777	109 - 126	35	125,000	1,090
			45L	6,445	6,445	6,445	6,001	6,001	5,578	101 - 116	55	120,000	
			70L	8,741	8,741	8,741	8,138	8,138	7,565	97 - 113	78	100,000	
			90L	11,096	11,096	11,096	10,331	10,331	9,604	94 - 109	102	80,000	

Information above is subject to change without notice. Visit [www.kenall.com](http://www.kenall.com) for IES files and additional information.

### Standard Uplight

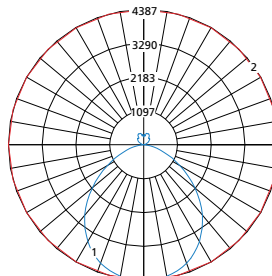
Model: SPG18-DTS-MW-5N-SU-TP-90L-40K7-DCC-DV



Max Candela = 4512 Located At Horizontal Angle = 0, Vertical Angle = 0  
 1 - Vertical Plane Through Horizontal Angles (0 - 180) (Through Max. Cd.)  
 2 - Horizontal Cone Through Vertical Angle (0) (Through Max. Cd.)

### Enhanced Uplight

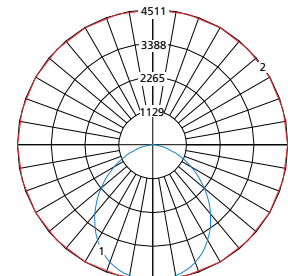
Model: SPG18-DTS-MW-5N-EU-TP-90L-40K7-DCC-DV



Max Candela = 4387 Located At Horizontal Angle = 15, Vertical Angle = 2.5  
 1 - Vertical Plane Through Horizontal Angles (15 - 195) (Through Max. Cd.)  
 2 - Horizontal Cone Through Vertical Angle (2.5) (Through Max. Cd.)

### Downlight

Model: SPG18-DTS-MW-5N-D-TP-90L-40K7-DCC-DV



Max Candela = 4511 Located At Horizontal Angle = 90, Vertical Angle = 2.5  
 1 - Vertical Plane Through Horizontal Angles (90 - 270) (Through Max. Cd.)  
 2 - Horizontal Cone Through Vertical Angle (2.5) (Through Max. Cd.)

### LUMEN AMBIENT TEMPERATURE (LAT) FACTORS

Avg. Ambient Temperature	10°C	15°C	20°C	25°C	30°C	35°C	40°C
Lumen Output Factor	1.03	1.02	1.01	1	0.99	0.98	0.97

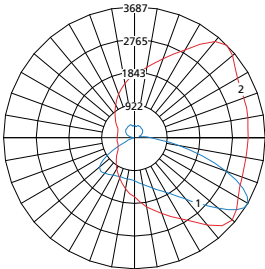


Optic			Lamp Power	Initial Delivered Lumens, By Lamp Color [Downlight / Uplight] (lm)						Efficacy (lm/W)	Input Power (W)	Est'd. L70 LED Life (hrs)	LEL/CEL Delivered Output in Battery Mode (lm)
Distribution	Uplight	Lens Type		57K7	50K7	40K7	40K8	35K8	30K8				
HSS	SU (6%)	TA	30L	3,861	3,861	3,861	3,595	3,595	3,342	97 - 112	35	125,000	970
			45L	5,702	5,702	5,702	5,309	5,309	4,935	89 - 103	55	120,000	
			70L	7,733	7,733	7,733	7,200	7,200	6,693	86 - 100	78	100,000	
			90L	9,817	9,817	9,817	9,140	9,140	8,497	83 - 96	102	80,000	
		TP	30L	3,878	3,878	3,878	3,611	3,611	3,357	97 - 112	35	125,000	970
			45L	5,727	5,727	5,727	5,332	5,332	4,957	89 - 103	55	120,000	
			70L	7,767	7,767	7,767	7,231	7,231	6,722	87 - 100	78	100,000	
			90L	9,860	9,860	9,860	9,180	9,180	8,534	84 - 97	102	80,000	
	EU (9%)	TA	30L	3,890	3,890	3,890	3,622	3,622	3,367	97 - 113	35	125,000	970
			45L	5,745	5,745	5,745	5,349	5,349	4,972	90 - 104	55	120,000	
			70L	7,791	7,791	7,791	7,254	7,254	6,743	87 - 100	78	100,000	
			90L	9,891	9,891	9,891	9,209	9,209	8,561	84 - 97	102	80,000	
		TP	30L	3,907	3,907	3,907	3,637	3,637	3,382	98 - 113	35	125,000	980
			45L	5,769	5,769	5,769	5,372	5,372	4,994	90 - 104	55	120,000	
			70L	7,824	7,824	7,824	7,285	7,285	6,772	87 - 101	78	100,000	
			90L	9,933	9,933	9,933	9,248	9,248	8,597	84 - 97	102	80,000	
	D (0%)	TA	30L	3,273	3,273	3,273	3,047	3,047	2,833	82 - 95	35	125,000	820
			45L	4,833	4,833	4,833	4,500	4,500	4,183	75 - 87	55	120,000	
			70L	6,555	6,555	6,555	6,103	6,103	5,673	73 - 84	78	100,000	
			90L	8,322	8,322	8,322	7,748	7,748	7,202	71 - 82	102	80,000	
		TP	30L	3,486	3,486	3,486	3,245	3,245	3,017	87 - 101	35	125,000	870
			45L	5,148	5,148	5,148	4,793	4,793	4,455	80 - 93	55	120,000	
			70L	6,981	6,981	6,981	6,499	6,499	6,042	78 - 90	78	100,000	
			90L	8,862	8,862	8,862	8,251	8,251	7,671	75 - 87	102	80,000	

Information above is subject to change without notice. Visit [www.kenall.com](http://www.kenall.com) for IES files and additional information.

**Standard Uplight**

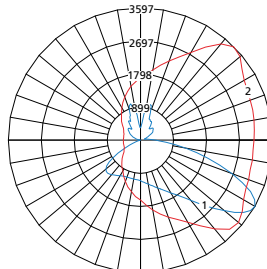
Model: SPG18-DTS-MW-HSS-SU-TP-90L-40K7-DCC-DV



Max Candela = 3687 Located At Horizontal Angle = 45, Vertical Angle = 60  
 1 - Vertical Plane Through Horizontal Angles (45 - 225) (Through Max. Cd.)  
 2 - Horizontal Cone Through Vertical Angle (60) (Through Max. Cd.)

**Enhanced Uplight**

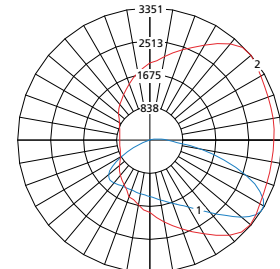
Model: SPG18-DTS-MW-HSS-EU-TP-90L-40K7-DCC-DV



Max Candela = 3597 Located At Horizontal Angle = 45, Vertical Angle = 60  
 1 - Vertical Plane Through Horizontal Angles (45 - 225) (Through Max. Cd.)  
 2 - Horizontal Cone Through Vertical Angle (60) (Through Max. Cd.)

**Downlight**

Model: SPG18-DTS-MW-HSS-D-TP-90L-40K7-DCC-DV



Max Candela = 3351 Located At Horizontal Angle = 40, Vertical Angle = 57.5  
 1 - Vertical Plane Through Horizontal Angles (40 - 220) (Through Max. Cd.)  
 2 - Horizontal Cone Through Vertical Angle (57.5) (Through Max. Cd.)

**LUMEN AMBIENT TEMPERATURE (LAT) FACTORS**

Avg. Ambient Temperature	10°C	15°C	20°C	25°C	30°C	35°C	40°C
Lumen Output Factor	1.03	1.02	1.01	1	0.99	0.98	0.97

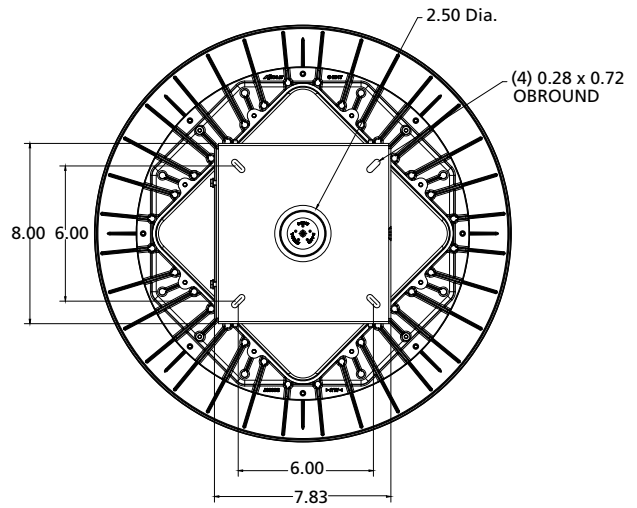
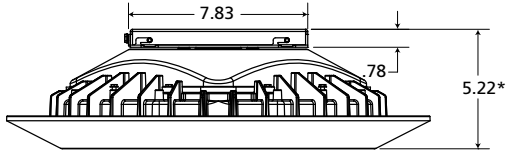


**SENSCAPE™**  
Luminaires for Parking Garages

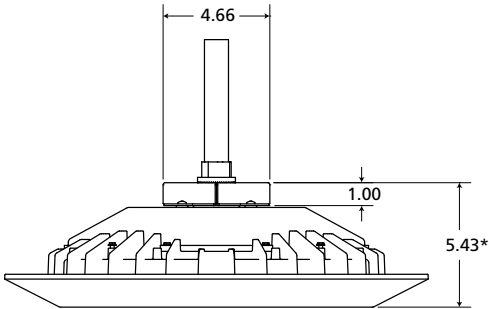
**SPG18 SERIES**

**MOUNTING DIMENSIONAL DATA**

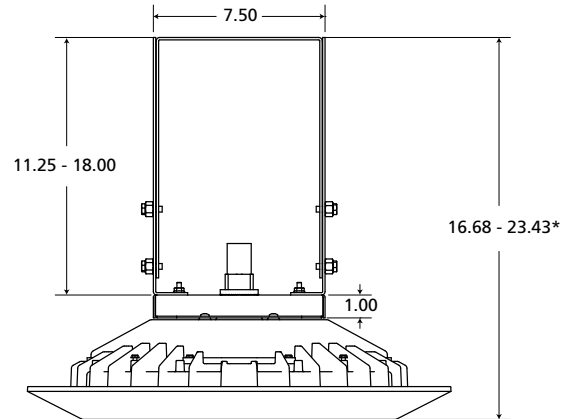
**Direct-to-Surface**



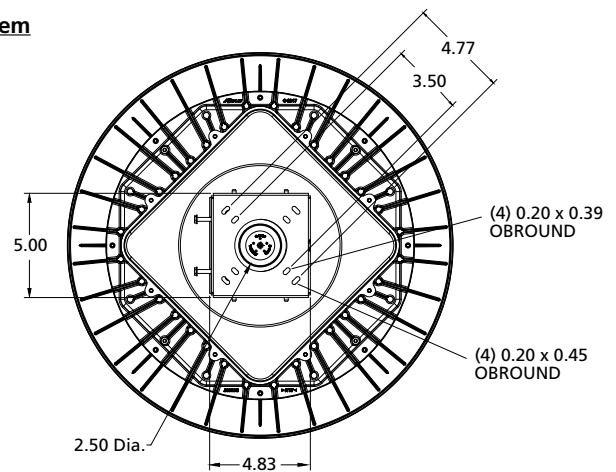
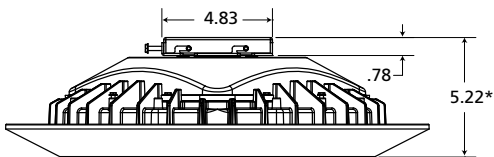
**Pendant Mount**



**Trunnion Kit**



**Quick Mount System**



www.kenall.com | P: 800-4-Kenall | F: 262-891-9700 | 10200 55th Street Kenosha, Wisconsin 53144, USA  
This product is able to comply with the latest domestic preference legislation, such as the Buy American Act (BAA), Trade Agreement Act (TAA), Build America, Buy America Act (BABA), and others. It may be covered by patents found at www.kenall.com/patents. Content of specification sheets is subject to change; please consult www.kenall.com for current product details. ©2025 Kenall Mfg. Co.

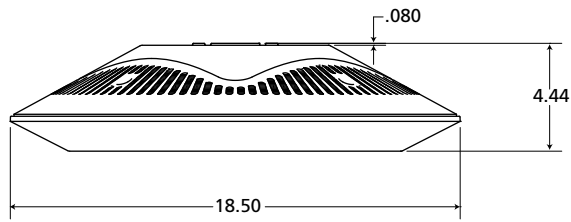
A brand of **legrand**

**SENSCAPE™**  
Luminaires for Parking Garages

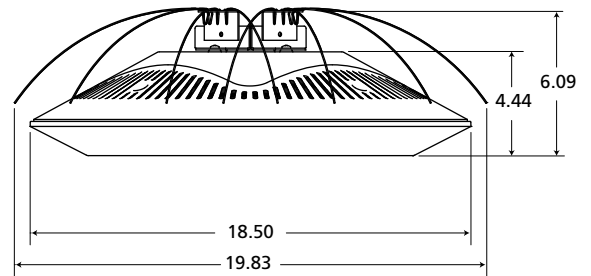
**SPG18 SERIES**

OPTIONS DIMENSIONAL DATA

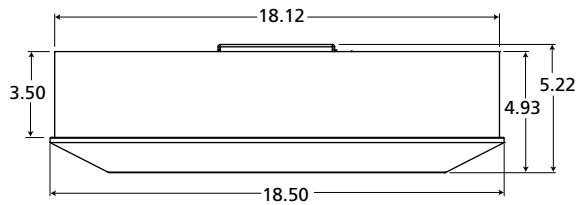
**Product with Optional Debris Shield**



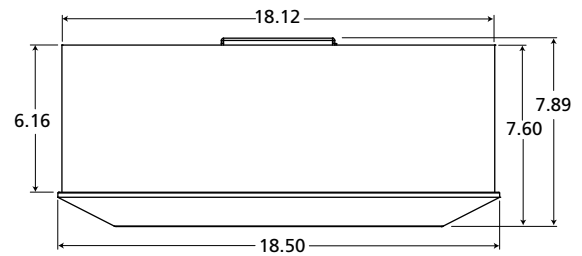
**Bird Deterrent**



**Bird Guard**

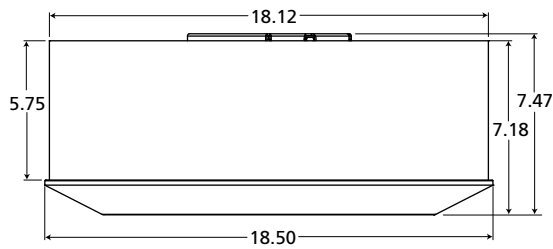


**Bird Guard with LEL**



**Bird Guard with TL1000/TL2000**

\* 70L Lamp Power and above



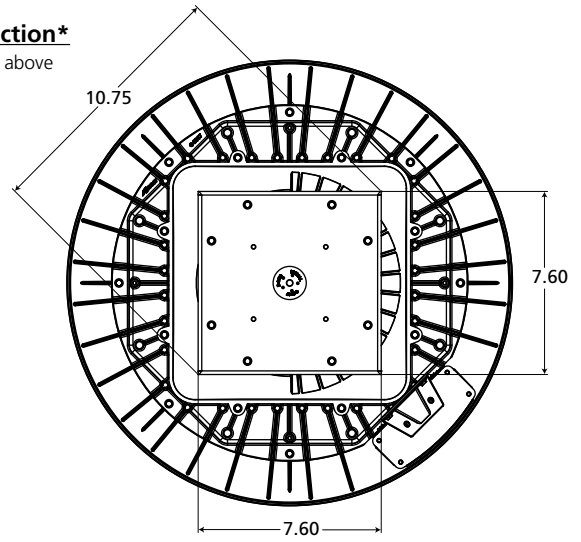
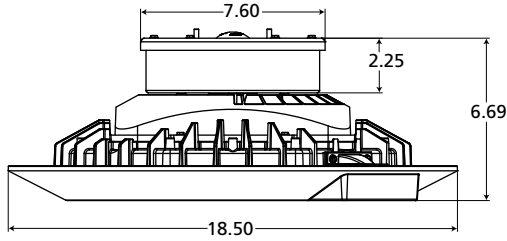
**SENSCAPE™**  
Luminaires for Parking Garages

**SPG18 SERIES**

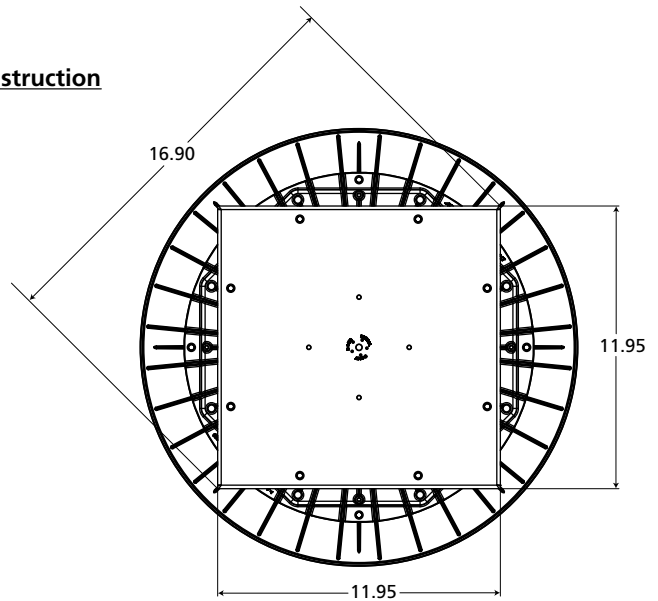
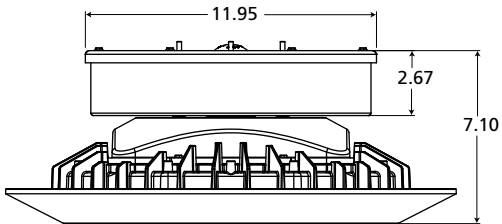
OPTIONS DIMENSIONAL DATA

**TL1000/TL2000 Construction\***

\* 70L Lamp Power and above



**LEL Construction**



www.kenall.com | P: 800-4-Kenall | F: 262-891-9700 | 10200 55th Street Kenosha, Wisconsin 53144, USA  
This product is able to comply with the latest domestic preference legislation, such as the Buy American Act (BAA), Trade Agreement Act (TAA), Build America, Buy America Act (BABA), and others. It may be covered by patents found at [www.kenall.com/patents](http://www.kenall.com/patents). Content of specification sheets is subject to change; please consult [www.kenall.com](http://www.kenall.com) for current product details. ©2025 Kenall Mfg. Co.

A brand of **legrand**