

MIGHTY MAC™

SCT SERIES

PRODUCT FEATURES:

- » Surface ceiling mount – 12"×24", 12"×48"
- » TIG welded housing with no post grinding for additional strength
- » Vertically adjustable bracket secured to housing via thru-studs



PROJECT INFORMATION

Job Name _____

Fixture Type _____

Catalog Number _____

Approved by _____

SPECIFICATIONS

HOUSING: One-piece die-formed prime grade material as specified – see Ordering Information. Corners continuously seam welded and smooth with no post grinding (TIG). Clamshell housing resistant to penetration and contraband concealment.

BASEPLATE: Prime grade material as specified – see Ordering Information. Die-formed blade trap (1/4" minimum) prevents contraband concealment and access. Embossed standoffs prevent distortion.

LENS: As specified – maximum total thickness .625" – see Ordering Information. Kenall recommends a clear outer lens with a prismatic, textured or diffused inner lens. Two clear lenses used in combination cannot be provided.

LENS RETENTION: Vertically adjustable continuous "Z" brackets of prime grade material, secured to housing via thru-studs (6" maximum spacing).

HINGE: 2' completely concealed internal drop slot piano hinge (1/2" knuckle/1/8" diameter pin) standard. Pin secured to knuckle. Hinge welded to housing and mounts to either side of baseplate via keyholes. See Options for Full Length Internal Hinge (IHF).

FASTENERS: Hardened security screws as specified – see Ordering Information. Fully recessed.

LUMINOUS SEAL: Polyurethane foam prevents light leaks from luminaire base.

FINISH: TGIC polyester powder coat – 5-stage pre-treatment. Salt spray test: 1,000 hours; Reflectance: 92%.

ELECTRICAL: Available 3000K, 3500K, 4000K and 5000K color temperatures, 82 CRI. 120-277VAC or 347VAC, 50/60Hz electrical input with serviceable high power factor electronic, constant-current driver (<20% THD, >0.95 PF). Standard 0-10V dimming with 1-100% range and dim-to-dark capabilities (non dim-to-dark with 347V); 330 µA max. source current.

SENSOR & CONTROLS: Optional sensor available with compatible third party controls. To see the full list of compatible controls, click [here](#).

INSTALLATION: Fixture not suitable for Surface Conduit or Continuous Row Mounting.

WARRANTY: Limited five (5) year warranty on LED lamps.

LISTINGS: UL and CUL Listed for Damp Locations. See Ordering Information for Wet Location applications.



ORDERING INFORMATION (Ex: SCT-2-0/0-25L35K-DCC-120-SYM/B-1-NLW-FS)

Model	Size	Housing/Base	Lamp Type	Driver Type	Voltage	Lens (Inner/Outer)	Fastener	Options
SCT		/		DCC		/		
Nominal Size			Lamp Type		Voltage		Fastener	
2	12"×24"		2' Nominal Length		120	120 Volts	1	Torx® T-20 Head w/ Center Pin
4	12"×48"		25L30K	25 Watt 3000K LED (82 CRI)	277	277 Volts	2	Allen Head w/ Center Pin
			25L35K	25 Watt 3500K LED (82 CRI)	347	347 Volts		
			25L40K	25 Watt 4000K LED (82 CRI)	DV	120-277 Volts		
			25L50K	25 Watt 5000K LED (82 CRI)				
Housing/Base Material			4' Nominal Length		Lens (Inner/Outer)‡		Options	
0	14-Ga CRS (Painted White)		45L30K	45 Watt 3000K LED (82 CRI)	SYM▲	Symmetric, Diffused DR Acrylic	LEL	Integral 10W Emergency Battery Backup (4' only, 45L max; n/a 347V, 0°C min ambient)
1	16-Ga CRS (Painted White)		45L35K	45 Watt 3500K LED (82 CRI)	0	No Lens	LELST	Integral 6W Self-Testing Emergency Battery Backup (4' only, 45L max; n/a 347V, 0°C min ambient)
3	14-Ga SS (Painted White)		45L40K	45 Watt 4000K LED (82 CRI)	1	.125" Prismatic Acrylic	NLW▼	2700K White LED Night Light
4	16-Ga SS (Painted White)		45L50K	45 Watt 5000K LED (82 CRI)	2	.125" Prismatic Polycarbonate	NLA▼	Amber LED Night Light
6*	14-Ga SS (Brushed)		67L30K	67 Watt 3000K LED (82 CRI)	3	.125" Textured Polycarbonate	FS	Single Fuse & Holder
7*	16-Ga SS (Brushed)		67L35K	67 Watt 3500K LED (82 CRI)	G†	.125" Clear Polycarbonate	IHF	Full Length Internal Hinge
9	12-Ga CRS (Painted White)		67L40K	67 Watt 4000K LED (82 CRI)	4	.156" Prismatic Polycarbonate	RGT	Removable Gear Tray
			67L50K	67 Watt 5000K LED (82 CRI)	4	.156" Prismatic Polycarbonate	SK	Speaker Housing Extension
			90L30K	90 Watt 3000K LED (82 CRI)	TG	.250" Textured Tempered Glass	WL	Wet Location Listed
			90L35K	90 Watt 3500K LED (82 CRI)	6	.187" Prismatic Polycarbonate		
			90L40K	90 Watt 4000K LED (82 CRI)	7†	.187" Clear Polycarbonate		
			90L50K	90 Watt 5000K LED (82 CRI)	8†	.187" Clear Tempered Glass		
					9†	.250" Clear Polycarbonate		
					A†	.250" Clear Tempered Glass		
					B†	.375" Clear Polycarbonate		
					C†	.375" Clear Tempered Glass		
					J†	.500" Clear Polycarbonate		
					P†	.500" Clear Tempered Glass		
			Driver Type					
			DCC Dimming Constant Current Driver					

* n/a as Base Material
 • n/a with 347 input
 † Must be paired with prismatic, textured or diffused lens when ordering LED lamps
 ‡ Refer to lens specifications
 ▲ Can only be used with clear outer lens



www.kenall.com | P: 800-4-Kenall | F: 262-891-9700 | 10200 55th Street Kenosha, Wisconsin 53144, USA
 This product is able to comply with the latest domestic preference legislation, such as the Buy American Act (BAA), Trade Agreement Act (TAA), Build America, Buy America Act (BABA), and others. It may be covered by patents found at www.kenall.com/patents. Content of specification sheets is subject to change; please consult www.kenall.com for current product details. ©2025 Kenall Mfg. Co.

A brand of **Legrand**

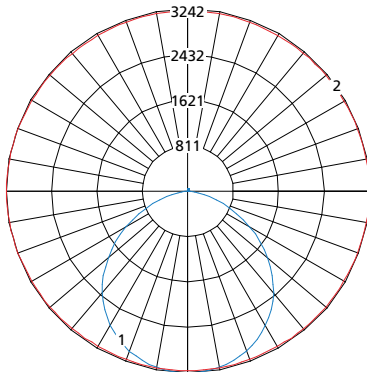
SCT SERIES

PERFORMANCE

Model	Lamp Type	Initial Delivered Lumens		Input Power (W)	Drive Current (mA)	Estd. L ₇₀ LED Life (Hrs)
		@ 25°C	Efficacy (lm/W)			
SCT-2	25L30K	2,811	99	28	117	80,000
	25L35K	2,898	102	28	117	80,000
	25L40K	2,997	105	28	117	80,000
	25L50K	3,116	110	28	117	80,000
SCT-4	45L30K	5,322	118	45	100	80,000
	45L35K	5,486	122	45	100	80,000
	45L40K	5,673	126	45	100	80,000
	45L50K	5,906	131	45	100	80,000
	67L30K	8,497	114	74	75	80,000
	67L35K	8,760	118	74	75	80,000
	67L40K	9,059	122	74	75	80,000
	67L50K	9,431	127	74	75	80,000
	90L30K	10,494	108	97	100	80,000
	90L35K	10,818	112	97	100	80,000
	90L40K	11,187	116	97	100	80,000
	90L50K	11,646	120	97	100	80,000

NOTE: All products tested with SYM/B lens configuration. See "Lumen Output Scaling Factor" table for output values with alternate lens configurations. Information subject to change without notice. Visit www.kenall.com for IES files and additional information.

Model: SCT-4-x-y-90L40K-DCC-z-SYM-B-1



Maximum Candela = 3242 Located At Horizontal Angle = 0, Vertical Angle = 5

- 1 - Vertical Plane Through Horizontal Angles (0-180) (Through Max. Cd.)
- 2 - Horizontal Cone Through Vertical Angle (5) (Through Max. Cd.)

LUMEN OUTPUT SCALING FACTORS

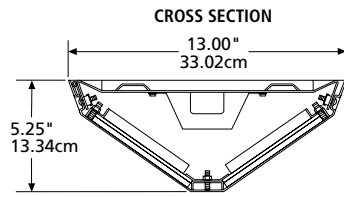
Lens Configuration	Inner Lens	Outer Lens	Scaling Factor
SYM/G	1/8" Frost Acrylic	1/8" Clear PC	1.10
SYM/7		3/16" Clear PC	1.06
SYM/8		3/16" Clear TG	1.06
SYM/9		1/4" Clear PC	1.03
SYM/B		3/8" Clear PC	1.00
SYM/C		3/8" Clear TG	1.03
SYM/J		1/2" Clear PC	0.99
1/G		1/8" Prismatic Acrylic	1/8" Clear PC
1/9	1/4" Clear PC		0.99
1/B	3/8" Clear PC		0.99
2/J	1/8" Prismatic PC		1/2" Clear PC

NOTE: Use this table to determine the lumen output and efficacy of the desired lens configuration by multiplying the provided value with the appropriate number in the "Performance" table above.



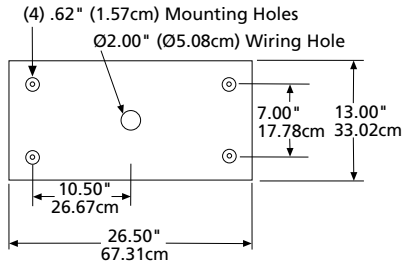
SCT SERIES

DIMENSIONAL DATA



MOUNTING HOLES

SCT-2



SCT-4

