

MIGHTY MAC™

RMCD SERIES

PRODUCT FEATURES:

- » Recessed convertible ceiling mount – 24"×24" and 24"×48" lengths
- » TIG welded housing with no post grinding for additional strength
- » Vertically adjustable Z bracket with thru-studs spaced 6" apart
- » Full length concealed internal piano hinge
- » Ligature resistant construction



SPECIFICATIONS

HOUSING: Die-formed prime grade material as specified – see ordering information. TIG and spot welded construction.

LENS: As specified – maximum thickness .625" – see ordering information. Kenall recommends a prismatic inner lens and a clear outer lens. Two clear lenses used in combination cannot be provided.

LENS RETENTION: Vertically adjustable continuous "Z" brackets of prime grade material, secured to housing via thru-studs (6" maximum spacing).

DOOR: One-piece die-formed prime grade material as specified – see ordering information. Corners continuously seam welded and smooth with no post grinding (TIG).

HINGE: Full length completely concealed internal piano hinge (1/2" knuckle/1/8" diameter pin) standard. Pin secured to knuckle. Hinge welded to door.

FASTENERS: Fully recessed hardened security screws as specified – see ordering information.

FINISH: TGIC polyester powder coat – 5-stage pre-treatment. Salt spray test: 1,000 hours; Reflectance: 92%.

LED MODULE: Serviceable mid-power LED array. Minimum 80 CRI standard (R9>0), consult factory for optional 90CRI (R9>50). Maximum three-step MacAdam ellipse variation. See Ordering Information for available color temperature options.

DRIVER: 120-277VAC or 347VAC, 50/60Hz electrical input with serviceable constant-current driver (<20% THD, >0.90 PF). Minimum 85% driver efficiency. Standard 0-10V dimming with 1-100% range and dim-to-dark capabilities; 0.4mA maximum source current.

SENSOR & CONTROLS: Optional sensor available with compatible third party controls. To see the full list of compatible controls, click [here](#).

LUMINOUS SEAL: Polyurethane foam prevents light leaks from luminaire base.

WARRANTY: Limited five (5) year warranty on LED lamps.

PHOTOMETRICS: For photometric information, go to www.kenall.com.

LISTINGS: UL and CUL listed for damp locations. See ordering information for Wet Location applications. Suitable for ISO 5-8 environments when ordered with Wet Location option. Non IC rated. Ligature resistant construction.



ORDERING INFORMATION (Ex: RMCD-4-TG-0/0-45L35K-DCC-DV-SYM/B-1-LEL)

Model	Size	Ceiling Type	Door/Housing	Lamp Code	Driver Type	Voltage	Lens (Inner/Outer)	Fasteners	Options
RMCD			/		DCC		/		
	Nominal Size			Lamp Code	Driver Type			Fastener	
	2 24"×24"			2' Nominal Length	DCC 0-10V Dimming Constant Current			1 Torx® T-20 Head w/ Center Pin	
	4 24"×48"			45L30K 45 Watt 3000K LED				2 Allen Head w/ Center Pin	
				45L35K 45 Watt 3500K LED	Input Voltage				
				45L40K 45 Watt 4000K LED	DV 120-277VAC, 50/60Hz				
				45L50K 45 Watt 5000K LED	347 347VAC, 60Hz				
	Ceiling Type			67L30K 67 Watt 3000K LED					Options
	FL/TR Flange/Threaded Rod			67L35K 67 Watt 3500K LED	Lens (Inner/Outer)‡				LEL Integral 10W Emergency Battery Backup (4' only, 90L max; n/a 347V, 0°C min ambient)
	FL/CC Flange/Cross Channel			67L40K 67 Watt 4000K LED	SYM» Symmetric, Diffused DR Acrylic				LELST Integral 6W Self-Testing Emergency Battery Backup (4' only, 90L max; n/a 347V, 0°C min ambient)
	FL/Y Flange/Yoke			67L50K 67 Watt 5000K LED	0 No Lens				NLW† 2700K White LED Night Light
	FL/SA Flange/Swing-Out Arms				1 .125" Prismatic Acrylic				NLA† Amber LED Night Light
	TG T-Grid				2 .125" Prismatic Polycarbonate				FS Single Fuse & Holder
	MP* Metal Pan				3 .125" Textured Polycarbonate				SC Specified Ceiling
	CZ Concealed Z-Spline				GA .125" Clear Polycarbonate				WL Wet Location Listed (includes ISO 5-8 rating)
				4' Nominal Length	4 .156" Prismatic Polycarbonate				
				45L30K 45 Watt 3000K LED	TG .250" Textured Tempered Glass				
				45L35K 45 Watt 3500K LED	6 .187" Prismatic Polycarbonate				
				45L40K 45 Watt 4000K LED	7A .187" Clear Polycarbonate				
				45L50K 45 Watt 5000K LED	8A .187" Clear Tempered Glass				
				67L30K 67 Watt 3000K LED	9A .250" Clear Polycarbonate				
				67L35K 67 Watt 3500K LED	AA .250" Clear Tempered Glass				* n/a as Hsg. Material
				67L40K 67 Watt 4000K LED	BA .375" Clear Polycarbonate				‡ Refer to lens specifications
				67L50K 67 Watt 5000K LED	CA .375" Clear Tempered Glass				» Can only be used with clear outer lens
				90L30K 90 Watt 3000K LED	JA .500" Clear Polycarbonate				▲ Must be paired with prismatic, textured or diffused lens
				90L35K 90 Watt 3500K LED	PA .500" Clear Tempered Glass				▼ Consult Grid system manufacturer for product compatibility
				90L40K 90 Watt 4000K LED					† n/a with 347 input
				90L50K 90 Watt 5000K LED					



MIGHTY MAC™

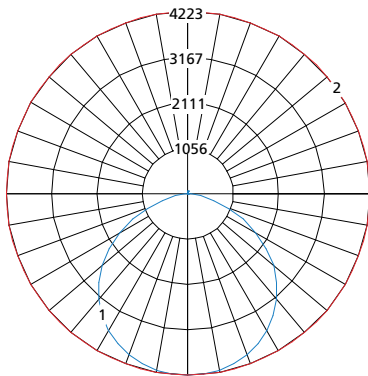
RMCD SERIES

PERFORMANCE

Length	Lamp Type	Initial Delivered Lumens		Input Power (W)	Drive Current (mA)	Estd. L70 LED Life (Hrs)
		@ 25°C	Efficacy (lm/W)			
2' 60.96cm	45L30K	3,906	84	46	100	80,000
	45L35K	4,027	87	46	100	80,000
	45L40K	4,164	90	46	100	80,000
	45L50K	4,335	93	46	100	80,000
	67L30K	6,237	84	74	75	80,000
	67L35K	6,430	86	74	75	80,000
	67L40K	6,649	89	74	75	80,000
	67L50K	6,922	93	74	75	80,000
4' 1.22m	45L30K	4,354	94	46	100	80,000
	45L35K	4,489	97	46	100	80,000
	45L40K	4,642	100	46	100	80,000
	45L50K	4,832	104	46	100	80,000
	67L30K	6,953	93	74	75	80,000
	67L35K	7,168	96	74	75	80,000
	67L40K	7,412	100	74	75	80,000
	67L50K	7,716	104	74	75	80,000
	90L30K	8,586	89	97	100	80,000
	90L35K	8,851	91	97	100	80,000
	90L40K	9,153	95	97	100	80,000
	90L50K	9,529	98	97	100	80,000

NOTE: All products tested with SYMB lens configuration. See "Lumen Output Scaling Factor" table for output values with alternate lens configurations. Information subject to change without notice. Visit www.kenall.com for IES files and additional information.

Model: RMCD-4-w-x-y-90L40K-DCC-z-SYM-B-1



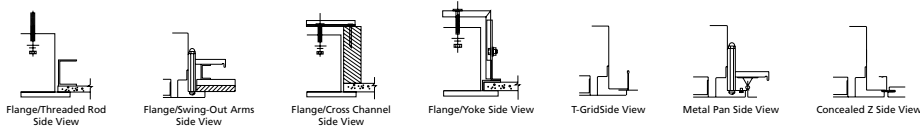
Maximum Candela = 4223 Located At Horizontal Angle = 210, Vertical Angle = 5

- 1 - Vertical Plane Through Horizontal Angles (210-31) (Through Max. Cd.)
- 2 - Horizontal Cone Through Vertical Angle (5) (Through Max. Cd.)

LUMEN OUTPUT SCALING FACTORS

Lens Configuration	Inner Lens	Outer Lens	Scaling Factor
SYM/G	1/8" Frost Acrylic	1/8" Clear PC	1.10
SYM/7		3/16" Clear PC	1.06
SYM/8		3/16" Clear TG	1.06
SYM/9		1/4" Clear PC	1.03
SYMB		3/8" Clear PC	1.00
SYM/C		3/8" Clear TG	1.03
SYM/J		1/2" Clear PC	0.99
1/G		1/8" Prismatic Acrylic	1/8" Clear PC
1/9	1/4" Clear PC		0.99
1/B	3/8" Clear PC		0.99
2/J	1/8" Prismatic PC	1/2" Clear PC	0.87

NOTE: Use this table to determine the lumen output and efficacy of the desired lens configuration by multiplying the provided value with the appropriate number in the "Performance" table above.



www.kenall.com | P: 800-4-Kenall | F: 262-891-9700 | 10200 55th Street Kenosha, Wisconsin 53144, USA
 This product is able to comply with the latest domestic preference legislation, such as the Buy American Act (BAA), Trade Agreement Act (TAA), Build America, Buy America Act (BABA), and others. It may be covered by patents found at www.kenall.com/patents. Content of specification sheets is subject to change; please consult www.kenall.com for current product details. ©2024 Kenall Mfg. Co.

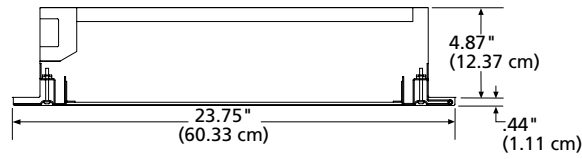
A brand of **Legrand**

MIGHTY MAC™

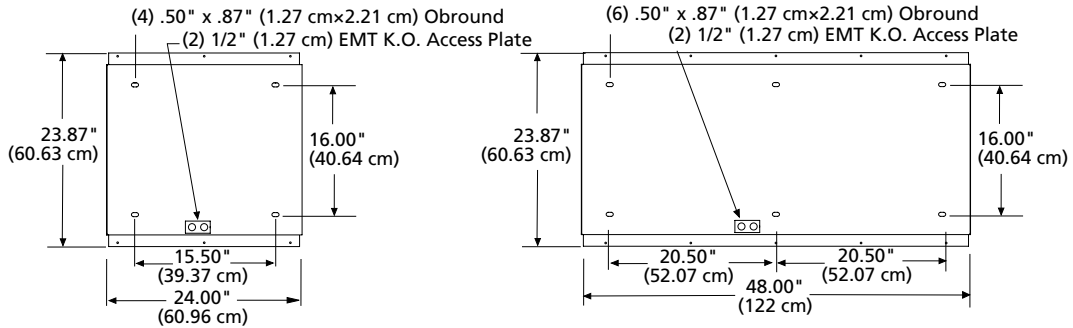
RMCD SERIES

DIMENSIONAL DATA

CROSS SECTION



MOUNTING HOLES



RECOMMENDED CEILING CUTOUT: 24.25" x 22.44" (61.60 cm x 56.99 cm)

RECOMMENDED CEILING CUTOUT: 48.25" x 22.44" (122 cm x 56.99 cm)

