

MIGHTY MAC™

PRCT5 SERIES

PRODUCT FEATURES:

- » Recessed ceiling mount – 24" x 48"
- » TIG welded housing with no post grinding for additional strength
- » Vertically adjustable Z bracket with thru-studs spaced 6" apart
- » Full length concealed internal piano hinge



PROJECT INFORMATION

Job Name _____

Fixture Type _____

Catalog Number _____

Approved by _____

SPECIFICATIONS

HOUSING: Die-formed prime grade material as specified – see ordering information. TIG and spot welded construction.

LENS: As specified – maximum total thickness .500" – see ordering information. Kenall recommends a prismatic inner lens and a clear outer lens. Two clear lenses used in combination cannot be provided.

LENS RETENTION: Vertically adjustable continuous "Z" brackets of prime grade material, secured to housing via thru-studs (6" maximum spacing).

DOOR: One-piece die-formed prime grade material as specified – see ordering information. Corners continuously seam welded and smooth with no post grinding (TIG).

HINGE: Full length completely concealed internal piano hinge (1/2" knuckle/1/8" diameter pin) standard. Pin secured to knuckle. Hinge welded to door.

FASTENERS: Hardened security screws as specified – see ordering information. Fully recessed

FINISH: TGIC polyester powder coat – 5-stage pre-treatment. Salt spray test: 1,000 hours; Reflectance: 92%.

LAMPS: Quantity and type as specified – see ordering information. Lamps supplied by others.

BALLAST: Quantity and type as specified – see ordering information. All ballasts UL listed class P.

LUMINOUS SEAL: Polyurethane foam prevents light leaks from luminaire base.

PHOTOMETRICS: For photometric information, go to www.kenall.com.

WARRANTY: 1 year warranty for Kenall fluorescent lighting products

LISTINGS: UL and CUL listed for damp locations. See ordering information for wet location applications. Non IC rated.



ORDERING INFORMATION (Ex: PRCT5-4-FL/Y-0/3-28-RS-1-120-1/B-1)

Model	Size	Ceiling Type	Housing/Door	Lamp Qty	Lamp Type	Ballast Type	Ballast Qty	Voltage	Lens (Inner/Outer)	Fasteners	Options
PRCT5	4		/						/		
	Nominal Size			Lamp Quantity			Ballast Quantity			Fastener	
	4 24" x 48"			2 Two			1 One			1 Torx® T-20 Head w/ Center Pin	
				3 Three			2 Two			2 Allen Head w/ Center Pin	
	Ceiling Type			4 Four				Voltage		Options	
	FL/TR Flange/Threaded Rod			5 Five			120 120 Volts			DLN LED Night Light w/Light Level Control (100% - 20%)	
	FL/CC Flange/Cross Channel			6 Six			277 277 Volts			FS Single Fuse & Holder	
	FL/Y Flange/Yoke				Lamp Type		347 347 Volts			SN NSF2 Splash/Non-Food Zone Listed	
	FL/SA Flange/Swing-Out Arms				28 F28T5			Lens (Inner/Outer)‡		TN PL Night Light – 5/7/9 Watt (Lamp supplied by other) (120/277V only)	
	TG T-Grid				54 F54T5HO			0 No Lens		UV Ultraviolet Filter	
	Door/Housing Material				Ballast Type			1 .125" Prismatic Acrylic		WL Wet Location Listed	
	0 14-Ga CRS (Painted White)				RS Rapid Start Electronic <10% THD			2 .125" Prismatic Polycarbonate			
	1 16-Ga CRS (Painted White)				SB Specified Ballast			3 .125" Textured Polycarbonate			
	2 18-Ga CRS (Painted White)							G .125" Clear Polycarbonate			
	3 14-Ga SS (Painted White)							4 .156" Prismatic Polycarbonate			
	4 16-Ga SS (Painted White)							TG .250" Textured Tempered Glass			
	B 18-Ga SS (Painted White)							6 .187" Prismatic Polycarbonate			
	6* 14-Ga SS (Brushed)							7 .187" Clear Polycarbonate			
	7* 16-Ga SS (Brushed)							8 .187" Clear Tempered Glass			
	A* 18-Ga SS (Brushed)							9 .250" Clear Polycarbonate			
								A .250" Clear Tempered Glass			
								B .375" Clear Polycarbonate			
								C .375" Clear Tempered Glass			
								J .500" Clear Polycarbonate			
								P .500" Clear Tempered Glass			

*n/a as Hsg. Material
 **SN Option
 ‡ Refer to lens specifications



www.kenall.com | P: 800-4-Kenall | F: 262-891-9701 | 10200 55th Street Kenosha, Wisconsin 53144, USA

A brand of **legrand**

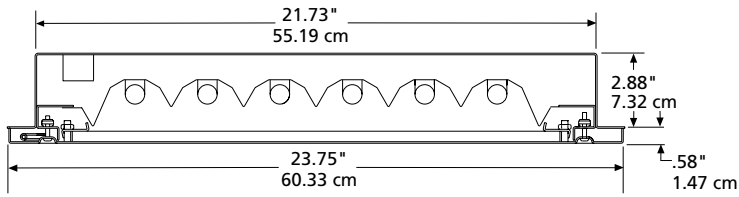
This product complies with the Buy American Act: manufactured in the United States with more than 50% of the component cost of US origin. It may be covered by patents found at www.kenall.com/patents. Content of specification sheets is subject to change; please consult www.kenall.com for current product details. ©2022 Kenall Mfg. Co.

MIGHTY MAC™

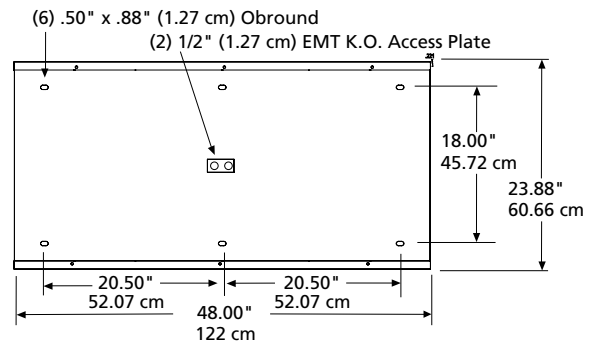
PRCT5 SERIES

DIMENSIONAL DATA

CROSS SECTION



MOUNTING HOLES



RECOMMENDED CEILING CUTOUT: 48.25" x 22.50" (123 cm x 57.15 cm)

