

MEDMASTER™

Behavioral Healthcare Luminaires

MMAC SERIES - LED

PRODUCT FEATURES:

- » Surface, recessed grid or recessed flange mount – 1'x4', 2'x2', 2'x4'
- » Center diffuser provides direct/indirect ambient lighting
- » Heavy-duty one-piece TIG and spot welded housing
- » Doorframe with Polycarbonate lens secured with Torx® fasteners for security
- » Ligature resistant construction



PROJECT INFORMATION

Job Name _____

Fixture Type _____

Catalog Number _____

Approved by _____

SPECIFICATIONS

HOUSING: Die-formed prime grade material as specified – see Ordering Information. TIG and spot welded construction.

DOOR: One-piece die-formed prime grade material as specified – see Ordering Information. Doorframe supported to housing with two aircraft cables. Corners continuously seam welded and smooth with no post grinding (TIG).

FINISH: TGIC polyester powder coat – 5-stage pre-treatment. Salt spray test: 1,000 hours; Reflectance: 92%. Optional antimicrobial finish.

OPTICS: Extruded high-efficiency frosted DR acrylic inner diffuser. Clear impact-resistant polycarbonate outer lens as specified—see Ordering Information.

GASKET: Closed cell silicone gasket seals door to housing.

FASTENERS: Torx® head with center pin hardened security screws. Fully recessed.

ELECTRICAL: Available 3000K, 3500K, 4000K and 5000K color temperatures, 82 CRI. 120-277VAC, or 347VAC 50/60Hz electrical input with serviceable high power factor electronic, constant-current driver (<20% THD, >0.95 PF). Standard 0-10V dimming with 1-100% range and dim-to-dark capabilities (non dim-to-dark with 347V); 330µA maximum source current. Optional LVC and LVCD provides a low-voltage patient interface, controlling the lamp source and optional night light with (LVCD) and without (LVC) dimming control.

SENSOR & CONTROLS: Optional sensor available with compatible third party controls. To see the full list of compatible controls, click [here](#).

INSTALLATION: **SURFACE MOUNT:** Four .312" diameter holes. **GRID MOUNT:** Designed for 1" and 1.5" grid. (Housing includes hanging brackets to secure housing with wire to super structure). **FLANGE MOUNT:** Yoke mounting hardware & brackets included. Install Frame and Plaster Frames both positively locates yoke brackets within ceiling opening assures alignment of fixture. Install frame has no need for drywall backing; backing is supplied on the frame brackets.

WARRANTY: Limited five (5) year warranty.

LISTINGS: Luminaire is certified to UL Standards by Intertek Testing Laboratory for Wet Locations and non-IC recessed installations. ETL certified IP65 per IEC 60598. NSF2 Splash/Non-Food Zone. Ligature resistant construction. Build America, Buy America Act compliant.



ORDERING INFORMATION (Ex: MMAC24-F-0/0-9-FA-90L40K-DCC-DV-FS)

Model	Mounting	Door/Housing	Outer Lens	Diffuser Type	Lamp Type	Driver Type	Voltage	Options	Accessory
/									
Model				Diffuser Type		Driver Type			
MMAC14 1'x4'				FA Frosted Acrylic		DCC 0-10V Dimming Constant Current			
MMAC22 2'x2'				CAP▲ Clear Acrylic with Perforated Insert					
MMAC24 2'x4'									
Mounting Options				Lamp Type		Input Voltage			
F Flange				1x4		DV 120-277VAC, 50/60Hz			
S Surface				45L30K 45 Watt 3000K LED		347 347VAC, 60Hz			
G Grid (1" and 1.5")				45L35K 45 Watt 3500K LED				Options	
				45L40K 45 Watt 4000K LED				AMF Antimicrobial Finish on exposed surfaces	
				45L50K 45 Watt 5000K LED				LEL* 10W LED Emergency Battery Pack	
Door/Housing Material								(n/a in combination with LVC or LVCD on 2x2 fixture)	
0 14-Ga CRS (Painted)				2x2				NLW^ 2700K White LED Night Light	
1 16-Ga CRS (Painted)				45L30K 45 Watt 3000K LED				NLA^ Amber LED Night Light	
2 18-Ga CRS (Painted) (n/a as Door Material)				45L35K 45 Watt 3500K LED				FS Fuse & Holder	
A 18-Ga SS (Brushed) (n/a as Door Material)				45L40K 45 Watt 4000K LED				LVC* Low Voltage Controller (Click here for specifications)	
B 18-Ga SS (Painted) (n/a as Door Material)				45L50K 45 Watt 5000K LED				LVCD* Low Voltage Controller with Dimming (Click here for specifications)	
3 14-Ga SS (Painted)								TC T-Bar Clips (Grid Mount only)	
4 16-Ga SS (Painted)				2x4					
6 14-Ga SS (Brushed)				45L30K 45 Watt 3000K LED				Accessory	
7 16-Ga SS (Brushed)				45L35K 45 Watt 3500K LED				IF Install Frame (Flange only; add .375 to each Ceiling Cutout dimension)	
Outer Lens Type				45L40K 45 Watt 4000K LED					
7 .187" Clear Polycarbonate				45L50K 45 Watt 5000K LED					
9 .250" Clear Polycarbonate				67L30K 67 Watt 3000K LED				* n/a with 347V	
B .375" Clear Polycarbonate				67L35K 67 Watt 3500K LED				^ n/a with 1x4 size or 347V	
				67L40K 67 Watt 4000K LED				▲ Selection results in significant reduction in lighting performance	
				67L50K 67 Watt 5000K LED					
				90L30K 90 Watt 3000K LED					
				90L35K 90 Watt 3500K LED					
				90L40K 90 Watt 4000K LED					
				90L50K 90 Watt 5000K LED					

ACCESSORIES ORDERED SEPARATELY
MPWS Low Voltage Wall Switch (Click [here](#) for Specifications)



www.kenall.com | P: 800-4-Kenall | F: 262-891-9700 | 10200 55th Street Kenosha, Wisconsin 53144, USA
 This product is able to comply with the latest domestic preference legislation, such as the Buy American Act (BAA), Trade Agreement Act (TAA), Build America, Buy America Act (BABA), and others. It may be covered by patents found at www.kenall.com/patents. Content of specification sheets is subject to change; please consult www.kenall.com for current product details. ©2025 Kenall Mfg. Co.

A brand of **legrand**

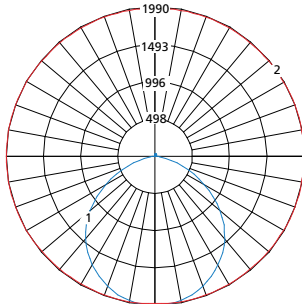
MMAC SERIES - LED

PERFORMANCE

Model	Optic		Lamp Power	Initial Delivered Lumens, By Lamp Color				Efficacy (lm/W)	Input Power (W)	Estd. L70 LED Life (hrs)
	Diffuser Type	Outer Lens		30K	35K	40K	50K			
MMAC14	FA	7	45L	3,921	4,042	4,180	4,466	80 - 91	49	80,000
		9	45L	3,928	4,049	4,187	4,474	80 - 91	49	80,000
		B	45L	3,749	3,865	3,997	4,270	77 - 87	49	80,000
MMAC22	FA	7	45L	4,007	4,131	4,272	4,564	82 - 93	49	80,000
		9	45L	4,014	4,138	4,280	4,572	82 - 93	49	80,000
		B	45L	3,832	3,950	4,085	4,364	78 - 89	49	80,000
MMAC24	FA	7	45L	5,027	5,182	5,359	5,726	103 - 117	49	80,000
			67L	7,648	7,884	8,153	8,711	106 - 121	72	80,000
			90L	9,827	10,131	10,477	11,193	102 - 116	97	80,000
		9	45L	5,036	5,192	5,369	5,736	103 - 117	49	80,000
			67L	7,662	7,899	8,168	8,727	106 - 121	72	80,000
			90L	9,845	10,150	10,496	11,214	102 - 116	97	80,000
		B	45L	4,807	4,956	5,125	5,476	98 - 112	49	80,000
			67L	7,314	7,540	7,797	8,330	102 - 116	72	80,000
			90L	9,398	9,688	10,019	10,704	97 - 111	97	80,000

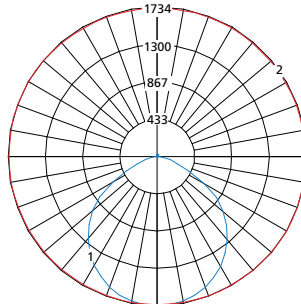
Displayed information is for type 'FA' diffuser. Apply 0.52 derating factor to provided output values for 'CAP' diffuser option. Photometry tested to the IESNA LM-79-08 standard by an ILAC/ISO17025 accredited laboratory. For photometric data, please go to www.kenall.com

Model: MMAC14-x-y-z-9-FA-45L40K-DCC-120



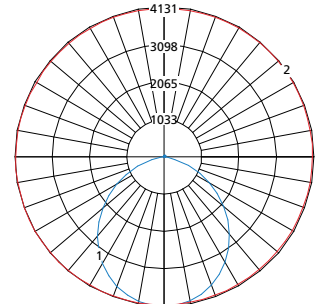
Maximum Candela = 1990 Located At Horizontal Angle = 75, Vertical Angle = 2.5
 1 - Vertical Plane Through Horizontal Angles (75-255) (Through Max. Cd.)
 2 - Horizontal Cone Through Vertical Angle (2.5) (Through Max. Cd.)

Model: MMAC22-x-y-z-9-FA-45L40K-DCC-120



Maximum Candela = 1734 Located At Horizontal Angle = 90, Vertical Angle = 2.5
 1 - Vertical Plane Through Horizontal Angles (90-270) (Through Max. Cd.)
 2 - Horizontal Cone Through Vertical Angle (2.5) (Through Max. Cd.)

Model: MMAC24-x-y-z-9-FA-90L40K-DCC-120



Maximum Candela = 4131 Located At Horizontal Angle = 75, Vertical Angle = 2.5
 1 - Vertical Plane Through Horizontal Angles (75-255) (Through Max. Cd.)
 2 - Horizontal Cone Through Vertical Angle (2.5) (Through Max. Cd.)



MEDMASTER™

Behavioral Healthcare Luminaires

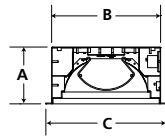
MMAC SERIES - LED

PERFORMANCE

GRID DIMENSIONAL DATA (IN INCHES)

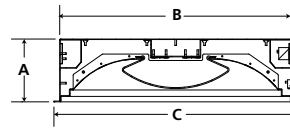
	A	B	C	D	E
1x4	5.56	10.60	11.75	46.60	47.75
2x2	6.10	22.60	23.75	22.60	23.75
2x4	6.10	22.60	23.75	46.60	47.75

CROSS SECTION



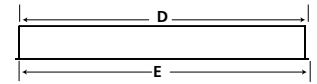
MAC14

GRID MOUNT



MAC22 & MAC24

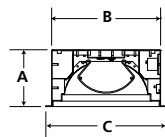
SIDE VIEW



FLANGE DIMENSIONAL DATA (IN INCHES)

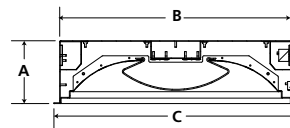
	A	B	C	D	E	F	G
1x4	5.56	10.60	11.75	46.60	47.75	30.00	5.25
Recommended Ceiling Cutout: 10.88" x 46.88"							
2x2	6.10	22.60	23.75	22.60	23.75	12.00	12.00
Recommended Ceiling Cutout: 22.88" x 22.88"							
2x4	6.10	22.60	23.75	46.60	47.75	30.00	12.00
Recommended Ceiling Cutout: 22.88" x 46.88"							

CROSS SECTION



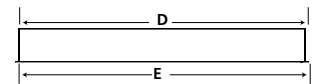
MAC14

FLANGE MOUNT

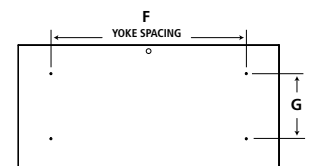


MAC22 & MAC24

SIDE VIEW



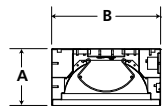
TOP VIEW



SURFACE DIMENSIONAL DATA (IN INCHES)

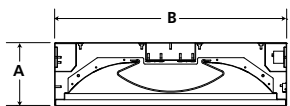
	A	B	C	D	E
1x4	5.56	10.60	30.00	5.25	46.60
2x2	6.13	22.60	12.00	12.00	22.60
2x4	6.13	22.60	30.00	12.00	46.60

CROSS SECTION



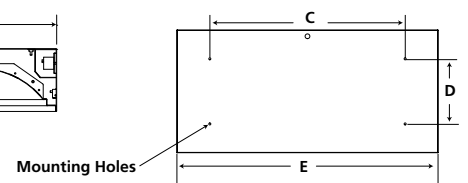
MAC14

SURFACE MOUNT



MAC22 & MAC24

TOP VIEW



www.kenall.com | P: 800-4-Kenall | F: 262-891-9700 | 10200 55th Street Kenosha, Wisconsin 53144, USA
 This product is able to comply with the latest domestic preference legislation, such as the Buy American Act (BAA), Trade Agreement Act (TAA), Build America, Buy America Act (BABA), and others. It may be covered by patents found at www.kenall.com/patents. Content of specification sheets is subject to change; please consult www.kenall.com for current product details. ©2025 Kenall Mfg. Co.

A brand of **legrand**