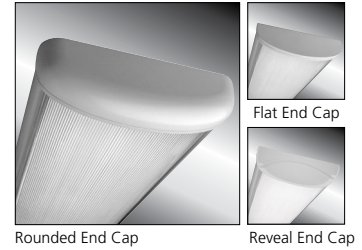


# MILLENIUM STRETCH™

## MLRS12 SERIES – INDIVIDUAL

### PRODUCT FEATURES:

- » 12" linear surface mount luminaire
- » Extruded aluminum housing with decorative end caps
- » Low-profile –ADA compliant
- » Suitable for Damp Location environments



### SPECIFICATIONS

**HOUSING:** Extruded marine grade aluminum body with die-cast aluminum end caps. TGIC polyester powder coat finished – 5-step pre-treatment. See Ordering Information for available finishes.

**OPTIC:** UV-Stabilized, high-efficiency diffused polycarbonate with smooth exterior and linear prismatic interior. Lens securely positioned in body channels and endcaps, locked into place with concealed tamper-resistant Torx® T-20 with center pin fasteners.

**END CAPS:** Marine grade die-cast aluminum. Three styles available: Flat, Rounded and Reveal. Conduit and "Wiremold™ ready" knockouts visible only from interior of end cap (Flat and Rounded styles only).

**HARDWARE:** Stainless steel, tamper-resistant Torx® T-20 with center pin fasteners secure lens in housing body's lens channel (four on 48" length; eight on 96" length).

**LED MODULE:** Serviceable mid-power LED array. Minimum 80 CRI standard (R9>0), consult factory for optional 90CRI (R9>50). Maximum three-step MacAdam ellipse variation. See Ordering Information for available color temperature options.

**DRIVER:** 120-277VAC or 347VAC, 50/60Hz electrical input with serviceable constant-current driver (<20% THD, >0.90 PF). Minimum 85% driver efficiency. Standard 0-10V dimming with 1-100% range and dim-to-dark capabilities; 0.4mA maximum source current.

**SENSOR & CONTROLS:** Available with compatible third party controls. To see the full list of compatible controls, [click here](#).

**INSTALLATION:** Surface ceiling, vertical or horizontal wall, corner mount (CMB) or suspended pendant mounting (PM). Standard four-point mounting (eight-point on 96") recommended. Suitable for -30°C to 40°C ambient environments, unless otherwise noted.

**WARRANTY:** Limited ten (10) year LED warranty.

**LISTINGS:** Luminaire is certified to UL Standards by Intertek Testing Laboratory for Damp Location – covered ceiling mount. See Options for Wet Location – covered ceiling mount. Corner, horizontal wall and pendant mount installation – Damp Location only. ADA compliant.



### ORDERING INFORMATION (Ex: MLRS12-48-R-MW-PP-67L40K-DCC-DV-LEL)

Model	Length	End Cap	Finish	Lens	Lamp Code	Driver Type	Voltage	Options	Accessories
<b>MLRS12</b>				<b>PP</b>		<b>DCC</b>			
	<b>Length</b>			<b>Lens</b>		<b>Driver Type</b>			
	48 4'			PP Pearlescent Polycarbonate		DCC 0-10V Dimming Constant Current			
	96 Two 4' (factory connected)								
	<b>End Caps</b>			<b>Lamp Code</b>		<b>Input Voltage</b>			
	R Rounded			45L35K 45 Watt 3500K LED		DV 120-277 VAC, 50/60Hz			
	F Flat			45L40K 45 Watt 4000K LED		347 347 VAC, 60Hz			
	RV Reveal			45L50K 45 Watt 5000K LED					
	<b>Finish</b>			67L35K 67 Watt 3500K LED		<b>Options</b>			
	MW Matte White			67L40K 67 Watt 4000K LED		CDF Captive Diffuser Fasteners			
	MB Matte Black			67L50K 67 Watt 5000K LED		LEL Integral 10W Emergency Battery Backup (4' length only, 0°C minimum operating temperature, n/a with 347V)			
	LG Light Gray			90L35K 90 Watt 3500K LED		PH Phillips Head Fasteners			
	CC Custom Color (Consult Factory)			90L40K 90 Watt 4000K LED		PM§ Pendant Mount (max 3/8" NPT stems, by others; n/a with WL option)			
				90L50K 90 Watt 5000K LED		WL Wet Location Rating (covered ceiling only)			
						<b>Accessories</b>			
						CMB§ Corner Mount Bracket (n/a with WL option)			

§ PM and CMB not available in conjunction



# MILLENIUM STRETCH™

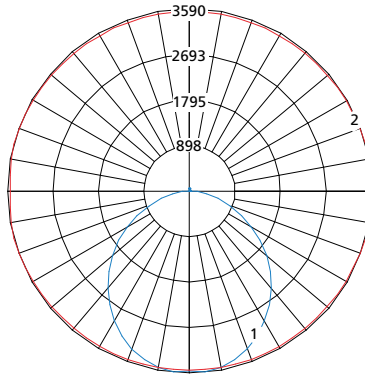
## MLRS12 SERIES

### PERFORMANCE

Lamp Type	Initial Delivered Lumens		Input Power (W)	Drive Current (mA)	Estd. L70 LED Life (Hrs)
	@ 25°C	Efficacy (lm/W)			
45L35K	4666	93	50	100	175,000
45L40K	4975	99	50	100	175,000
45L50K	5173	103	50	100	175,000
67L35K	6689	90	74	75	175,000
67L40K	7131	96	74	75	175,000
67L50K	7416	100	74	75	175,000
90L35K	8548	85	101	100	175,000
90L40K	9113	91	101	100	175,000
90L50K	9477	94	101	100	175,000

Visit [www.kenall.com](http://www.kenall.com) for IES files and additional information. Information is subject to change without notice.

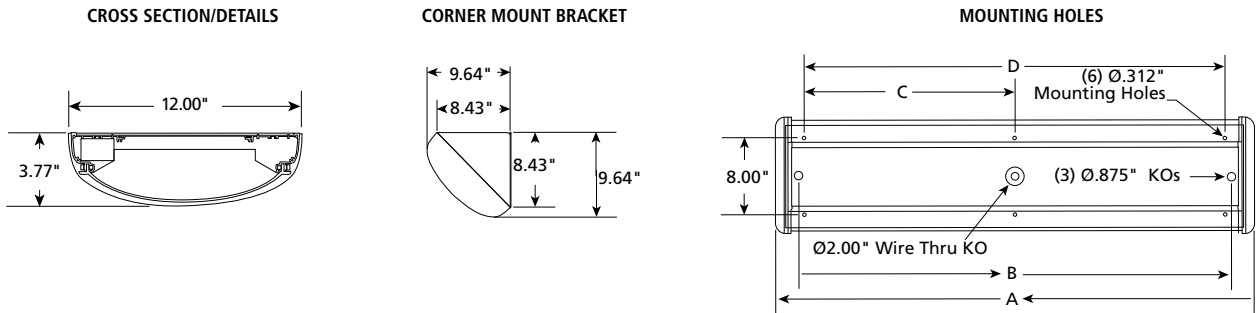
Model: MLRS12-48-F-MW-PP-90L40K-DCC-DV



Maximum Candela = 12851 Located At Horizontal Angle = 15, Vertical Angle = 5

- 1 - Vertical Plane Through Horizontal Angles (15-195) (Through Max. Cd.)
- 2 - Horizontal Cone Through Vertical Angle (5) (Through Max. Cd.)

### DIMENSIONAL DATA



Nominal Four Foot Fixture Legend				
End Cap	A	B	C	D
R	51.132	46.312	22.500	45.000
F	49.308	46.312	22.500	45.000
RV	53.840	46.312	22.500	45.000



[www.kenall.com](http://www.kenall.com) | P: 800-4-Kenall | F: 262-891-9700 | 10200 55th Street Kenosha, Wisconsin 53144, USA  
 This product is able to comply with the latest domestic preference legislation, such as the Buy American Act (BAA), Trade Agreement Act (TAA), Build America, Buy America Act (BABA), and others. It may be covered by patents found at [www.kenall.com/patents](http://www.kenall.com/patents). Content of specification sheets is subject to change; please consult [www.kenall.com](http://www.kenall.com) for current product details. ©2024 Kenall Mfg. Co.

A brand of Legrand