

# MEDMASTER ENVELA®

## MEP SERIES – TUNABLE WHITE LED

### PRODUCT FEATURES:

- » Switched ambient-exam (bi-level) illumination modes
- » High-output high-CRI LED lamp services with 2700K-6500K white tuning capability
- » Recessed ceiling mount – grid or flange; 2'x4'
- » Cleanable to NSF2 and sealed to IP64 construction standards
- » Tool-less access for servicing



### PROJECT INFORMATION

Job Name \_\_\_\_\_

Fixture Type \_\_\_\_\_

Catalog Number \_\_\_\_\_

Approved by \_\_\_\_\_

### SPECIFICATIONS

**HOUSING:** 20-gauge CRS. One-piece seam welded construction. Housing flange in 18-gauge CRS, with mitered and welded corners, spot-welded to housing. Mitered and welded corners. Black TGIC polyester powder coat – 5-stage pre-treatment. Salt spray test: 1,000 hours.

**REFLECTOR/LENS ASSEMBLY:** Fully gasketed, sealed luminous shield diffuser constructed of impact-resistant frost DR acrylic (FA) or clear acrylic with perforated metal insert (PAF). Reflector constructed in one-piece, formed 20-gauge CRS. Low-gloss white TGIC polyester powder coat with 5-stage pre-treatment. Salt spray test 1,000 hours. Tool-less lamp access.

**LED MODULE:** Serviceable tunable-white, mid-power LED array provides 2700K through 6500K CCT range with a two-point path. 3-step MacAdam variation allowance on each CCT. Minimum 82 CRI standard (R9 >20) with optional minimum 92 CRI (R9 >50).

**DRIVER:** 120-277VAC, 50/60Hz electrical input (PF ≥ 0.9, THD < 20%). Two (2) line-voltage inputs control light output (0%/50%/100%) to create ambient-exam lighting modes. When ordered with low-voltage controller option (LVC), product is configured for a single line-voltage input as well as a low-voltage control input for ambient and exam operational modes (0%/50%/100% control). Minimum 85% electrical efficiency. Serviceable, constant-current multi-channel programmable driver. Linear CCT adjustment via 0-10V control input.

**INSTALLATION:** Grid Mount: Designed for 1" and Slot-T grid. Includes hardware to secure hanger wire. Flange Mount: Includes Frame Kit.

**PHOTOMETRICS:** Photometry tested to IESNA LM-79-08 test procedure. For additional photometric data, please go to [www.kenall.com](http://www.kenall.com)

**WARRANTY:** Limited five (5) year warranty.

**LISTINGS:** Luminaire is certified to UL Standards by Intertek Testing Laboratory for Wet Location and non-IC recessed installation. ETL certified IP64 per IEC 60598.NSF2 Splash/Non-Food Zone.



### ORDERING INFORMATION (Ex: MEP24-G-90T-27/65K9-ATW-DV-FA-LVC)

Model	Mounting Options	Lamp Power	Lamp Color	Driver Type	Voltage	Lens Type	Options
<b>MEP24</b>		<b>90T</b>					
	<b>Mounting Options</b> <b>G</b> Grid (1") <b>ST</b> Slot-T Grid <b>F</b> Flange				<b>Input Voltage</b> <b>DV</b> 120-277 Volts	<b>Lens Type</b> <b>FA</b> Frosted DR Acrylic	<b>Options</b> <b>AMF</b> Antimicrobial Low-Gloss White on exposed surfaces of Reflector/Lens Frame <b>FS</b> Fuse & Holder <b>LVC</b> Low Voltage Controller (Click <a href="#">here</a> for specifications)
	<b>Lamp Type</b> <b>90T</b> 90W Tunable White		<b>Lamp Color</b> <b>27/65K8</b> 2700-6500K CCT Range (82 CRI min) <b>27/65K9</b> 2700-6500K CCT Range (92 CRI min)	<b>Driver Type</b> <b>ATW</b> Analog (0-10V) Dimming Tunable White Driver <b>DMX</b> DMX Tunable White Driver (Consult Factory)			

#### ACCESSORIES ORDERED SEPARATELY

**MPWS** Low Voltage Wall Switch (Click [here](#) for Specifications)



[www.kenall.com](http://www.kenall.com) | P: 800-4-Kenall | F: 262-891-9701 | 10200 55th Street Kenosha, Wisconsin 53144, USA

This product complies with the Buy American Act: manufactured in the United States with more than 50% of the component cost of US origin. It may be covered by patents found at [www.kenall.com/patents](http://www.kenall.com/patents). Content of specification sheets is subject to change; please consult [www.kenall.com](http://www.kenall.com) for current product details. ©2019 Kenall Mfg. Co.

A brand of Legrand

# MEDMASTER ENVELA®

## MEP SERIES – TUNABLE WHITE LED

### PERFORMANCE

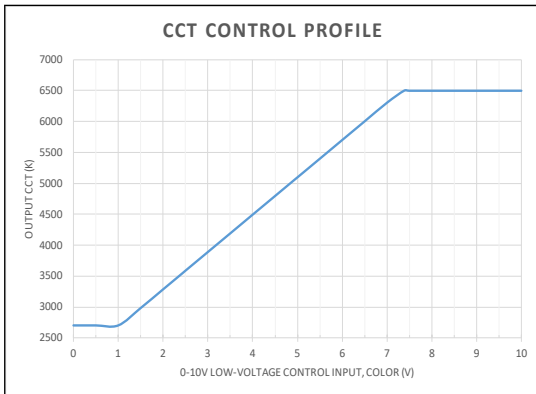
		Performance at 4000K Tuning			
Function	Lamp Type	Lumen Output (lm)	Efficacy (lm/W)	Input Power (W)	Estd. L70 LED Life (Hrs)
Ambient	90T-27/65K8	6,027	131	46	80,000
	90T-27/65K9	4,857	106	46	80,000
Exam	90T-27/65K8	11,790	128	92	80,000
	90T-27/65K9	9,502	103	92	80,000

Displayed information is for FA lens type. Information subject to change without notice. Visit [www.kenall.com](http://www.kenall.com) for ies files additional information.

### PERFORMANCE SCALING, BY LAMP COLOR

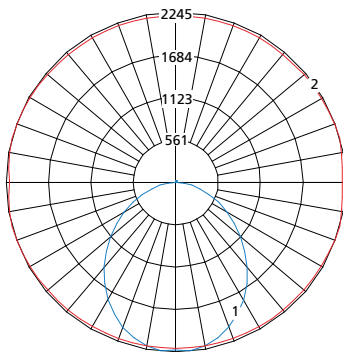
CCT (K)	27/65K8					27/65K9				
	LUMEN SCALE FACTOR	Ra	R9	Rf	Rg	LUMEN SCALE FACTOR	Ra	R9	Rf	Rg
2700	0.92	83	10	83	97	0.95	92	57	89	98
3000	0.95	84	15	83	98	0.97	94	70	91	99
3500	0.99	86	23	84	98	0.99	95	77	92	99
4000	1.00	86	26	84	98	1.00	96	83	92	99
4600	1.00	86	28	84	98	1.00	96	90	92	100
5000	1.01	86	25	83	98	1.01	96	96	91	101
5700	0.99	85	23	82	98	0.99	96	96	91	100
6500	0.99	84	16	82	96	0.99	96	96	90	100

### CCT AND INTENSITY ADJUSTMENT PROFILE - ATW DRIVER TYPE



NOTE: The provided information is the typical expected performance of a single luminaire. Additional luminaires on the same 0-10V line may result in different control profiles. Fine tuning of system performance should be completed after installation is complete. To avoid CCT shift between luminaires, care should be taken to minimize voltage drop on the CCT Control line. It is recommended to limit the load on the CCT control circuit to twenty (20) 45T or ten (10) 67T/90T luminaires or less.

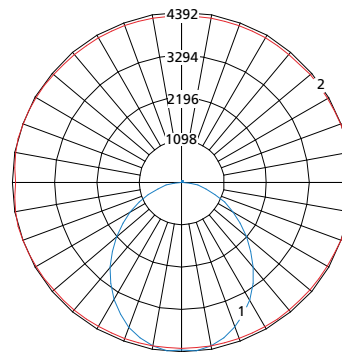
Model: MEP24-G-90T-27-65K8-ATW-FA Ambient



Maximum Candela = 2245 Located At Horizontal Angle = 15, Vertical Angle = 2.5

- 1 - Vertical Plane Through Horizontal Angles (15-195) (Through Max. Cd.)
- 2 - Horizontal Cone Through Vertical Angle (2.5) (Through Max. Cd.)

Model: MEP24-G-90T-27-65K8-ATW-FA Exam



Maximum Candela = 4392 Located At Horizontal Angle = 15, Vertical Angle = 5

- 1 - Vertical Plane Through Horizontal Angles (15-195) (Through Max. Cd.)
- 2 - Horizontal Cone Through Vertical Angle (5) (Through Max. Cd.)



[www.kenall.com](http://www.kenall.com) | P: 800-4-Kenall | F: 262-891-9701 | 10200 55th Street Kenosha, Wisconsin 53144, USA

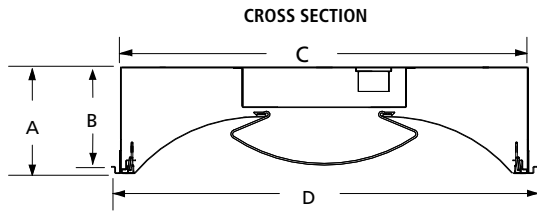
This product complies with the Buy American Act: manufactured in the United States with more than 50% of the component cost of US origin. It may be covered by patents found at [www.kenall.com/patents](http://www.kenall.com/patents). Content of specification sheets is subject to change; please consult [www.kenall.com](http://www.kenall.com) for current product details. ©2019 Kenall Mfg. Co.

A brand of **legrand**

# MEDMASTER ENVELA®

## MEP SERIES – TUNABLE WHITE LED

### DIMENSIONAL DATA

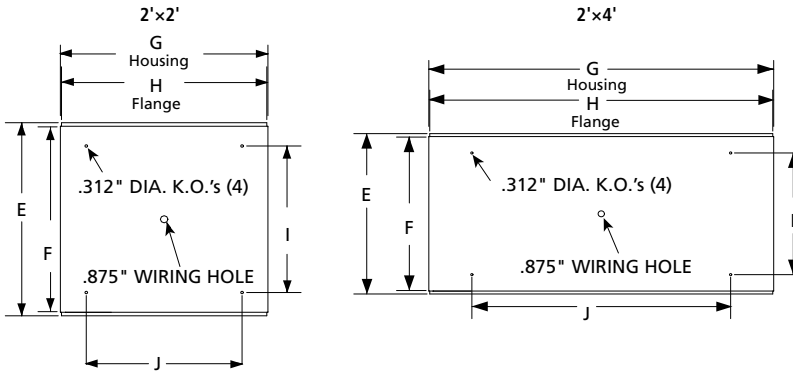


#### DIMENSIONAL DATA (IN INCHES)

	A	B*	C	D	E	F	G	H	I	J
2x4	6.30	5.93*	22.70	23.72	23.72	22.70	47.98	47.72	18.00	36.00
Recommended Ceiling Cut-Out 24.50x48.50 (Flange fixtures)										

\*ST Mounting Option Only

#### BACK VIEW



www.kenall.com | P: 800-4-Kenall | F: 262-891-9701 | 10200 55th Street Kenosha, Wisconsin 53144, USA

This product complies with the Buy American Act: manufactured in the United States with more than 50% of the component cost of US origin. It may be covered by patents found at [www.kenall.com/patents](http://www.kenall.com/patents). Content of specification sheets is subject to change; please consult [www.kenall.com](http://www.kenall.com) for current product details. ©2019 Kenall Mfg. Co.

A brand of Legrand