

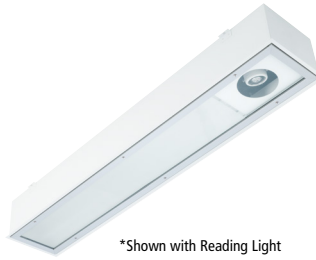
MEDMASTER™

Luminaires for Patient/Exam Rooms

MAEC SERIES

PRODUCT FEATURES:

- » Ceiling mount – 8" x 48"
- » Product must be specified and ordered in pairs
- » Indirect Ambient and Direct Exam functions
- » Adjustable MR16 Reading light
- » Ingress Barrier door provides consistent surface for ease of cleanliness



*Shown with Reading Light

PROJECT INFORMATION

Job Name _____

Fixture Type _____

Catalog Number _____

Approved by _____

SPECIFICATIONS

HOUSING: 20-gauge CRS; one-piece seam welded construction. 18-gauge housing flange with mitered and welded corners. White TGIC polyester powder coat – 5-stage pre-treatment. Salt spray test: 1,000 hours; Reflectance: 92%.

DOORFRAME: Heavy duty extruded marine grade aluminum with clear satin anodized finish. Doorframe supported to housing with aircraft cables (IB-AC) to provide NSF2 listing, or an optional continuous hinged doorframe (IB-HD). Select in ordering options below. Phillips-head stainless steel fasteners secure door to housing- six (6) with IB-AC and two (2) with IBHD. Closed cell silicone gasket seals the doorframe to housing. Lens sealed to extruded aluminum frame using a vinyl gasket.

OPTIC: Clear impact-resistant acrylic outer lens with inner high-efficiency diffuser. Exam function: direct 15° asymmetric linear overlay optic. Ambient function: Indirect high-efficiency TGIC painted white reflector. Optional reading light COB LED with 20° reflector optic and diffusing lens with field aiming capability (90° rotation and 0-45° vertical).

LED MODULE: AMBIENT/EXAM: Serviceable mid-power LED array. See Ordering Information for CCT options. 3-step MacAdam variation allowance. 82 CRI minimum. READING: Aimable 3500K, 90CRI (>50 R9) COB LED.

DRIVER: 120-277VAC or 347VAC, 50/60Hz electrical input (PF ≥ 0.9, THD < 20%). Minimum 85% electrical efficiency. Serviceable constant-current programmable driver. 0-10V dimming with 1-100% range and dim-to-dark capabilities for Ambient, Exam and Reading Lamp functions (non dim-to-dark with 347V); 165µA max. source current per circuit. Optional LVC and LVCD control has a master-satellite arrangement for paired installations and provides low-voltage patient interface, controlling the ambient, exam and reading modes independently with (LVCD) and without (LVC) dimming control. Optional secondary conduit entry available.

SENSOR & CONTROLS: Optional sensor available with compatible third party controls. To see the full list of compatible controls, click [here](#).

INSTALLATION: GRID MOUNT: Designed for 1" grid. Includes integral brackets for securing hanger wire. FLANGE MOUNT: Supplied with Drywall Frame Kit.

WARRANTY: Limited five (5) year warranty.

LISTINGS: Luminaire is certified to UL Standards by Intertek Testing Laboratory for Wet Locations and Non-IC installation. UL certified IP65 per IEC 60598. NSF2 Splash/Non-Food Zone (IB-AC only).



ORDERING INFORMATION

(LEFT Ex: MAEC-48-G-38L/38L/6L-35K8-DIM1-DV-1B-AC-RLLS-LVCD/M-FS)
(RIGHT Ex: MAEC-48-G-38L/38L/6L-35K8-DIM1-DV-1B-AC-RLRS-LVCD/S-FS)

Model	Length	Mounting	Lamp Power	Lamp Color	Driver Type	Voltage	Doorframe Option	Reading Light Orientation	Low-Voltage Controller	LVC Master / Satellite	Options
Left MAEC	48				DIM1		IB-			/	
Right MAEC	48				DIM1		IB-			/	

Nominal Length
48 48"

Mounting Style
G Grid (1")
F Flange (with Drywall Frame Kit)

Lamp Power
40L/40L 40 Watt Ambient/40 Watt Exam (Two Function)
38L/38L/6L 38 Watt Ambient/38 Watt Exam/6 Watt Reading (Three Function)

Lamp Color (Ambient/Exam)
30K8 3000K/82CRI min
35K8 3500K/82CRI min
40K8 4000K/82CRI min
50K8 5000K/82CRI min

Driver Type
DIM1 0-10V Dimming to 1%

Voltage
DV 120-277 Volts
347 347 Volts

Doorframe Option
AC Ingress Barrier with Aircraft Cables
HD Ingress Barrier with Continuous Piano Hinge (n/a with NSF2 listing)

Reading Light Orientation*
RLRS Reading Light, Right Side Mount
RLLS Reading Light, Left Side Mount

Low-Voltage Controller (Optional)
LVC* Low Voltage Controller (click [here](#) for specifications)
LVCS* Low Voltage Controller with Secondary Conduit Entry (Master Only; click [here](#) for specifications)
LVCD* Low Voltage Controller with Dimming (click [here](#) for specifications)
LVCDs* Low Voltage Controller with Dimming and Secondary Conduit Entry (Master Only; click [here](#) for specifications)

LVC Master/Satellite for Paired Installations^
M Paired 'Master-Control' Luminaire
S Paired 'Satellite-Control' Luminaire

Options
LEL* 10W Emergency Battery Backup (wired to Exam)
AMF Antimicrobial Finish on exposed surfaces
FS Fuse & Holder

* n/a with 347V
^ Three-function configurations only. Luminaires with reading light option must be specified in pairs. Specify right and left side orientation, per application.
^ N/A for products not configured with an LVC option. Paired installations shall be ordered with equal quantities of Type 'M' and 'S' units. AC power feed required to both. Lamp control originates from the LVC located in the Master unit. Control wiring method between luminaires supplied by others.
IMPORTANT: When ordered with a Reading Light, please make sure "M" is paired with the 'RLLS' left side unit and the "S" is paired with the 'RLRS' right side unit.

ACCESSORIES ORDERED SEPARATELY

MPWS Low Voltage Wall Switch (Click [here](#) for Specifications)



www.kenall.com | P: 800-4-Kenall | F: 262-891-9701 | 10200 55th Street Kenosha, Wisconsin 53144, USA

This product complies with the Buy American Act: manufactured in the United States with more than 50% of the component cost of US origin. It may be covered by patents found at [www.kenall.com/patents](#). Content of specification sheets is subject to change; please consult [www.kenall.com](#) for current product details. ©2022 Kenall Mfg. Co.

A brand of **legrand**

MEDMASTER™

Luminaires for Patient/Exam Rooms

MAEC SERIES

PERFORMANCE

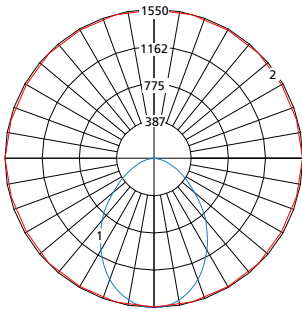
Model	Function	Lamp Power	Initial Delivered Lumens, by Lamp Color (lm)				Efficacy (lm/W)	Input Power (W)	Estd. L70 LED Life (hrs)
			30K8	35K8	40K8	50K8			
Two-Function	Ambient	40L	2,953	3,003	3,102	3,195	65 - 70	45	80,000
	Exam	40L	3,536	3,596	3,715	3,826	77 - 83	46	80,000
	Ambient + Exam	40L/40L	6,396	6,503	6,718	6,920	70 - 76	91	80,000
Three-Function	Ambient	38L	3,071	3,123	3,226	3,323	70 - 76	44	80,000
	Exam	38L	3,527	3,586	3,705	3,816	81 - 88	44	80,000
	Ambient + Exam	38L/38L	6,490	6,599	6,817	7,022	74 - 81	87	80,000
	Reading	6L	463				56	8	35,000

Photometry tested to the IESNA LM-79-08 standard by an ILAC/ISO17025 accredited laboratory. For photometric data, please go to www.kenall.com.

Model: MAEC-48-w-38L-38L-6L-40K8-DIM1-xxx-yy-zzz (Ambient)

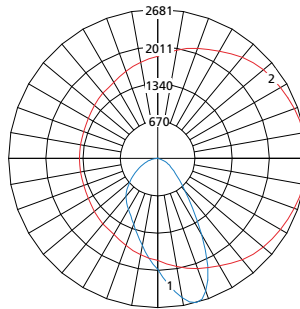
Model: MAEC-48-w-38L-38L-6L-40K8-DIM1-xxx-yy-zz-RLLS (Exam)

Model: MAEC-48-w-38L-38L-6L-40K8-DIM1-xxx-yy-zzz (Reading)



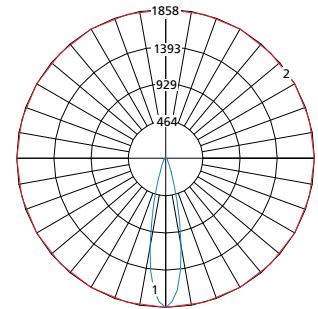
Maximum Candela = 1550 Located At Horizontal Angle = 0, Vertical Angle = 2.5

— 1 - Vertical Plane Through Horizontal Angles (0-180) (Through Max. Cd.)
 — 2 - Horizontal Cone Through Vertical Angle (2.5) (Through Max. Cd.)



Maximum Candela = 2681 Located At Horizontal Angle = 0, Vertical Angle = 15

— 1 - Vertical Plane Through Horizontal Angles (0-180) (Through Max. Cd.)
 — 2 - Horizontal Cone Through Vertical Angle (15) (Through Max. Cd.)

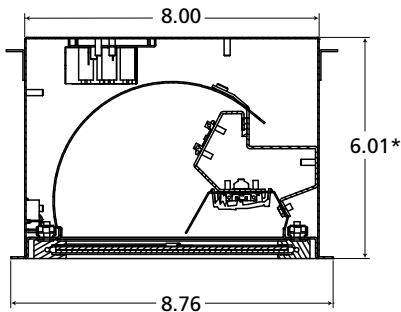


Maximum Candela = 1858 Located At Horizontal Angle = 0, Vertical Angle = 0

— 1 - Vertical Plane Through Horizontal Angles (0-180) (Through Max. Cd.)
 — 2 - Horizontal Cone Through Vertical Angle (0) (Through Max. Cd.)

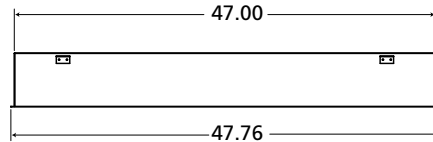
DIMENSIONAL DATA

CROSS SECTION

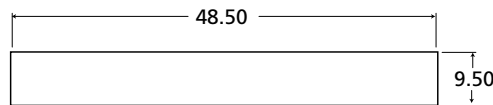


* ADD 0.16" FOR LEL

SIDE VIEW

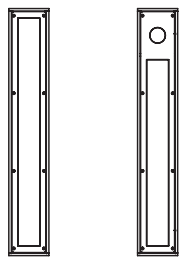


FLANGE MOUNT CEILING CUTOUT



NOTE: All Satellite units supplied with one (1) 0.875" hole on back of housing. When ordered with the MLVCD configuration, the Master unit is provided with two (2) 0.875" holes. MLVCD configurations have Master units provided with three (3) 0.875" holes.

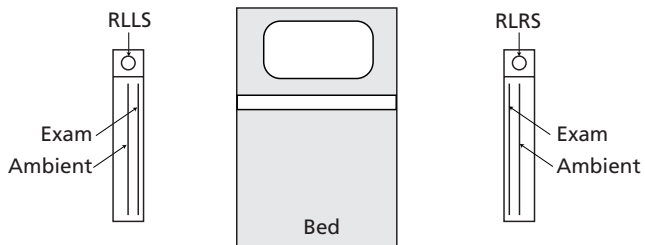
BOTTOM VIEW



Two Function

Three Function

READING AND EXAM LIGHT LAYOUT (Must be specified in pairs)



www.kenall.com | P: 800-4-Kenall | F: 262-891-9701 | 10200 55th Street Kenosha, Wisconsin 53144, USA

This product complies with the Buy American Act: manufactured in the United States with more than 50% of the component cost of US origin. It may be covered by patents found at www.kenall.com/patents. Content of specification sheets is subject to change; please consult www.kenall.com for current product details. ©2022 Kenall Mfg. Co.

A brand of **legrand**