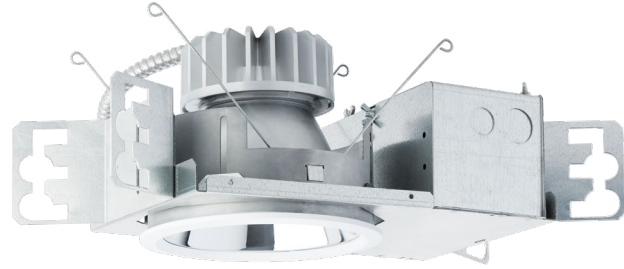


# MEDMASTER DOWNLIGHT

## Luminaires for Surgical Applications

### M4DL SERIES



#### PRODUCT FEATURES:

- » 6" sealed, recessed downlight with regressed or flush lens trim
- » Conducted emissions controlled as per MIL-STD-461G
- » 675 - 5,000 delivered lumens with multiple distribution, reflector finish and lens options
- » 1% Dimming via 0-10V or DALI-2 control
- » For M4DL6 with Green LEDs, click [here](#)

#### SPECIFICATIONS

**HEAT SINK:** Die-cast aluminum with external radial fins for natural convection.

**ROUGH-IN FRAME:** 18-gauge die-formed, corrosion-resistant steel. Vertically adjustable collar accommodates ceiling thicknesses up to 2", adjustable post-installation. Universal mounting brackets accept 3/4" and 1-1/2" lathers channel, 1/2" EMT conduit and hanger bars. Quick-access junction box accessible post-installation from above and below ceiling. Includes (4) 1/2" and (2) 3/4" knock-outs to allow straight conduit runs. Listed for (8) 12AWG, 90°C conductors and feed-thru branch wiring. Provided with FMC with electrical quick-connect to Trim Section.

**TRIM/HOUSING SECTION:** IP-rated housing section incorporates the heat sink, LED module, optics and lower trim. Configurable with an IP64-rated Regressed or Flush lens trim that is secured to the Rough-In frame with hidden torsion springs, and an IP65 Flush lens trim secured with four (4) Phillips-head, captive fasteners. Anti-microbial finish standard on all exposed painted surfaces. See Trim Ordering Information for available options.

**OPTICAL:** Clear tempered glass upper lens. Flush lens trims provided with 1/8" clear impact-resistant acrylic lens at ceiling trim. Continuous seal between lens and trim ring. Available with various reflector distribution patterns and finishes. See Ordering Information for available options.

**ELECTRICAL:** LED source available in multiple CCT and CRI combinations with a maximum 3-step MacAdam variation allowance. See Trim Ordering Information for available options. 120VAC, 277VAC or 347VAC, 50/60Hz electrical input with serviceable constant current driver (<20% THD, >0.90 PF). Minimum 85% driver efficiency. Standard 0-10V dimming with 1-100% range and dim-to-dark capabilities; 0.2mA maximum source current. Optional eldoLED ECode DALI-2 (DT6) / LEDcode2 driver with 1-100% range.

**PHOTOMETRICS:** Photometry tested to the IESNA LM-79-08 standard by an ILAC/ISO17025 accredited laboratory. For photometric information, go to [www.kenall.com](http://www.kenall.com).

**WARRANTY:** Limited five (5) year LED warranty.

**LISTINGS:** Luminaire is certified to UL standards by Intertek Testing Laboratory for non-IC and Wet Location installations. IP64 (Meets FED-STD-209E/Class 100 ISO 5 Cleanrooms) and IP65 (Meets FED-STD-209E/Class 1 ISO 3 Cleanrooms) rating per IEC60598. NSF2 Splash/Non-Food Zone. Conducted emissions controlled as per MIL-STD-461G. Optional CCEA compliant.



#### ORDERING INFORMATION (EX: M4DL6-FF-2FW-18L-40K8-W-CSS-T-RIS6-277-DIM1)

TRIM								ROUGH-IN				
Model	Trim Style	Trim Finish	Lamp Power	Lamp Color	Distribution	Reflector Finish	Flush Lens Type	Rough-In	Input Voltage	Driver Type	Options	
<b>M4DL6</b>								<b>RIS6</b>				
<b>Trim Style</b>			<b>Lamp Color</b>					<b>Rough-In</b>				
<b>R</b>	Regressed Lens (IP64)		<b>30K8</b>	3000K / 80 CRI min.			<b>RIS6</b> 6" Surgical Rough-In					
<b>NF</b>	Flush Lens (Without Fasteners - IP64)		<b>30K9</b>	3000K / 90 CRI min.			<b>Input Voltage</b>					
<b>FF</b>	Flush Lens (With Fasteners - IP65)		<b>35K8</b>	3500K / 80 CRI min.			<b>120</b> 120VAC, 60Hz					
<b>Trim Finish</b>			<b>35K9</b>	3500K / 90 CRI min.			<b>277</b> 277VAC, 60Hz					
<b>DCFW</b>	Die-Cast Aluminum in Flat White (R and NF Trim Style)		<b>40K8</b>	4000K / 80 CRI min.			<b>347†</b> 347VAC, 60Hz					
<b>2FW</b>	Cold-Rolled Steel in Flat White		<b>40K9</b>	4000K / 90 CRI min.			<b>Driver Type</b>					
<b>5BR</b>	Type 304 Stainless Steel with 4B Brushed Finish		<b>50K8</b>	5000K / 80 CRI min.			<b>DIM1</b> 0-10V Dimming to 1% with Dim-to-Dark					
<b>5FW</b>	Type 304 Stainless Steel in Flat White		<b>Distribution</b>					<b>DALI</b> DALI-2/LEDcode2 Dimming to 1% without Dim-to-Dark				
<b>Lamp Power</b>			<b>M</b> Medium					<b>Options</b>				
<b>9L</b>	9 Watt LED		<b>W</b> Wide					<b>LEL</b> Emergency Battery Backup with Remote Test Switch				
<b>18L</b>	18 Watt LED		<b>Reflector Finish</b>					<b>F5</b> Fuse & Holder				
<b>24L</b>	24 Watt LED		<b>FW</b> Flat White					<b>CCEA •</b> CCEA Approved				
<b>32L</b>	32 Watt LED		<b>CS</b> Clear Specular									
<b>43L▲</b>	43 Watt LED		<b>CSS</b> Clear Semi-Specular									
<b>Flush Lens Type (n/a Regressed Trim Style)</b>												
<b>T</b> 1/8" Clear High-Impact Acrylic												

† N/A with DALI Driver Type. N/A with LEL and CCEA option  
 ▲ Must be installed with a minimum 24" on-center spacing, 12" from wall, and have 3" clearance above the Trim/Housing  
 • N/A with W-CS Distribution-Reflector Finish



# MEDMASTER DOWNLIGHT

## Luminaires for Surgical Applications

### M4DL SERIES

#### PERFORMANCE - REGRESSED LENS

Optic		Lamp Power	Initial Delivered Lumens, By Lamp Color						Efficacy (lm/W)	Input Power (W)	TM-21 Reported L90 (hrs)	TM-21 Reported L70 (hrs)
Distribution	Reflector Finish		30K8	35K8	35K9	40K8	40K9	50K8				
M	CS	9L	1,162	1,189	978	1,196	998	1,210	80 - 103	12	>55,000	>55,000
		18L	2,032	2,080	1,710	2,092	1,745	2,116	81 - 104	20	>55,000	>55,000
		24L	2,982	3,052	2,509	3,070	2,561	3,105	85 - 109	28	52,000	>55,000
		32L	3,751	3,838	3,155	3,861	3,221	3,905	81 - 104	38	52,000	>55,000
		43L	4,803	4,916	4,041	4,945	4,125	5,001	77 - 98	51	51,000	>55,000
	CSS	9L	1,028	1,052	865	1,059	883	1,071	71 - 91	12	>55,000	>55,000
		18L	1,799	1,841	1,513	1,851	1,544	1,873	72 - 92	20	>55,000	>55,000
		24L	2,639	2,701	2,220	2,717	2,266	2,748	75 - 97	28	52,000	>55,000
		32L	3,319	3,397	2,792	3,417	2,850	3,456	72 - 92	38	52,000	>55,000
		43L	4,250	4,350	3,576	4,375	3,650	4,425	68 - 87	51	51,000	>55,000
	FW	9L	1,056	1,081	888	1,087	907	1,099	73 - 94	12	>55,000	>55,000
		18L	1,847	1,890	1,554	1,901	1,586	1,923	74 - 95	20	>55,000	>55,000
		24L	2,710	2,773	2,280	2,789	2,327	2,821	77 - 99	28	52,000	>55,000
		32L	3,408	3,488	2,867	3,508	2,927	3,548	74 - 95	38	52,000	>55,000
		43L	4,365	4,467	3,672	4,493	3,748	4,544	70 - 89	51	51,000	>55,000
W	CS	9L	1,139	1,166	958	1,173	978	1,186	79 - 101	12	>55,000	>55,000
		18L	1,993	2,039	1,676	2,051	1,711	2,075	80 - 102	20	>55,000	>55,000
		24L	2,924	2,992	2,459	3,010	2,511	3,044	83 - 107	28	52,000	>55,000
		32L	3,677	3,763	3,093	3,785	3,158	3,828	80 - 102	38	52,000	>55,000
		43L	4,709	4,819	3,961	4,847	4,044	4,903	75 - 96	51	51,000	>55,000
	CSS	9L	1,099	1,125	924	1,131	944	1,144	76 - 98	12	>55,000	>55,000
		18L	1,922	1,967	1,617	1,979	1,651	2,001	77 - 99	20	>55,000	>55,000
		24L	2,820	2,886	2,373	2,903	2,422	2,936	80 - 103	28	52,000	>55,000
		32L	3,547	3,630	2,984	3,652	3,046	3,693	77 - 98	38	52,000	>55,000
		43L	4,543	4,649	3,821	4,676	3,901	4,730	72 - 93	51	51,000	>55,000
	FW	9L	989	1,012	832	1,018	849	1,029	68 - 88	12	>55,000	>55,000
		18L	1,729	1,770	1,455	1,780	1,485	1,800	69 - 89	20	>55,000	>55,000
		24L	2,537	2,597	2,134	2,612	2,179	2,642	72 - 93	28	52,000	>55,000
		32L	3,191	3,266	2,684	3,285	2,740	3,323	69 - 89	38	52,000	>55,000
		43L	4,087	4,182	3,438	4,207	3,509	4,255	65 - 84	51	51,000	>55,000
WW	CSS	9L	916	938	771	943	787	954	63 - 81	12	>55,000	>55,000
		18L	1,603	1,640	1,348	1,650	1,376	1,669	64 - 82	20	>55,000	>55,000
		24L	2,351	2,406	1,978	2,421	2,019	2,448	32 - 86	28	52,000	>55,000
		32L	2,957	3,027	2,488	3,044	2,540	3,079	42 - 82	38	52,000	>55,000
		43L	3,787	3,876	3,186	3,899	3,252	3,943	60 - 77	51	51,000	>55,000

Subject to change without notice. Visit [www.kenall.com](http://www.kenall.com) for ies files and additional information.



[www.kenall.com](http://www.kenall.com) | P: 800-4-Kenall | F: 262-891-9700 | 10200 55th Street Kenosha, Wisconsin 53144, USA  
 This product is able to comply with the latest domestic preference legislation, such as the Buy American Act (BAA), Trade Agreement Act (TAA), Build America, Buy America Act (BABA), and others. It may be covered by patents found at [www.kenall.com/patents](http://www.kenall.com/patents). Content of specification sheets is subject to change; please consult [www.kenall.com](http://www.kenall.com) for current product details. ©2024 Kenall Mfg. Co.

A brand of Legrand

# MEDMASTER DOWNLIGHT

## Luminaires for Surgical Applications

### M4DL SERIES

#### PERFORMANCE - REGRESSED LENS

Wide Distribution Candela Curve	M4DL6-R-18L-40K8-W-CS		Distance to illuminated plane (ft)	M4DL6-R-18L-40K8-M-CS		Medium Distribution Candela Curve
	Initial center beam foot-candles	Beam diameter (ft)		Initial center beam foot-candles	Beam diameter (ft)	
	57.7	6.8	5'	83.7	4.9	
	40.1	8.2	6'	58.1	5.9	
	29.5	9.6	7'	42.7	6.9	
	22.6	10.9	8'	32.7	7.8	
	17.8	12.3	9'	25.8	8.8	
	14.4	13.7	10'	20.9	9.8	
Spacing Criteria: 1.33	Foot-candle multipliers for 30K8 (0.97), 35K8 (0.99), 35K9 (0.82), 40K9 (0.83), 50K8 (1.01)				Spacing Criteria: 0.98	
Beam Angle: 69°	Beam diameter is where foot-candles drop to 50% of maximum				Beam Angle: 52°	

Wide Distribution Candela Curve	M4DL6-R-18L-40K8-W-CSS		Distance to illuminated plane (ft)	M4DL6-R-18L-40K8-M-CSS		Medium Distribution Candela Curve
	Initial center beam foot-candles	Beam diameter (ft)		Initial center beam foot-candles	Beam diameter (ft)	
	58.9	4.1	5'	117.1	4.5	
	40.9	4.9	6'	81.3	5.4	
	30.1	5.7	7'	59.7	6.3	
	23.0	6.5	8'	45.7	7.2	
	18.2	7.3	9'	36.1	8.1	
	14.7	8.1	10'	29.3	9.0	
Spacing Criteria: 1.31	Foot-candle multipliers for 30K8 (0.97), 35K8 (0.99), 35K9 (0.82), 40K9 (0.83), 50K8 (1.01)				Spacing Criteria: 0.71	
Beam Angle: 44°	Beam diameter is where foot-candles drop to 50% of maximum				Beam Angle: 48°	

Wide Distribution Candela Curve	M4DL6-R-18L-40K8-W-FW		Distance to illuminated plane (ft)	M4DL6-R-18L-40K8-M-FW		Medium Distribution Candela Curve
	Initial center beam foot-candles	Beam diameter (ft)		Initial center beam foot-candles	Beam diameter (ft)	
	60.6	6.4	5'	66.3	6.5	
	42.1	7.7	6'	46.0	7.9	
	30.9	9.0	7'	33.8	9.2	
	23.7	10.3	8'	25.9	10.5	
	18.7	11.5	9'	20.5	11.8	
	15.2	12.8	10'	16.6	13.1	
Spacing Criteria: 1.11	Foot-candle multipliers for 30K8 (0.97), 35K8 (0.99), 35K9 (0.82), 40K9 (0.83), 50K8 (1.01)				Spacing Criteria: 1.05	
Beam Angle: 65°	Beam diameter is where foot-candles drop to 50% of maximum				Beam Angle: 66°	



# MEDMASTER DOWNLIGHT

## Luminaires for Surgical Applications

### M4DL SERIES

#### PERFORMANCE - FLUSH LENS

Optic			Lamp Power	Initial Delivered Lumens, By Lamp Color					Efficacy (lm/W)	Input Power (W)	TM-21 Reported L90 (hrs)	TM-21 Reported L70 (hrs)	
Distribution	Reflector Finish	Lens Type		30K8	35K8	35K9	40K8	40K9					50K8
M	CS	T	9L	1,119	1,145	941	1,152	961	1,165	77 - 99	12	>55,000	>55,000
			18L	1,957	2,002	1,646	2,014	1,680	2,037	78 - 100	20	>55,000	>55,000
			24L	2,871	2,938	2,415	2,955	2,465	2,989	82 - 105	28	52,000	>55,000
			32L	3,611	3,695	3,038	3,717	3,101	3,759	78 - 100	38	52,000	>55,000
			43L	4,624	4,732	3,890	4,760	3,971	4,815	74 - 94	51	51,000	>55,000
	CSS	T	9L	983	1,006	827	1,012	844	1,024	68 - 87	12	>55,000	>55,000
			18L	1,720	1,760	1,447	1,771	1,477	1,791	69 - 88	20	>55,000	>55,000
			24L	2,524	2,583	2,123	2,598	2,167	2,628	72 - 92	28	52,000	>55,000
			32L	3,174	3,248	2,670	3,267	2,726	3,305	69 - 88	38	52,000	>55,000
			43L	4,065	4,160	3,420	4,184	3,491	4,232	65 - 83	51	51,000	>55,000
	FW	T	9L	1,016	1,040	855	1,046	873	1,058	70 - 90	12	>55,000	>55,000
			18L	1,777	1,819	1,495	1,830	1,526	1,851	71 - 91	20	>55,000	>55,000
			24L	2,608	2,669	2,194	2,685	2,239	2,715	74 - 95	28	52,000	>55,000
			32L	3,280	3,357	2,759	3,376	2,817	3,415	71 - 91	38	52,000	>55,000
			43L	4,200	4,299	3,533	4,324	3,607	4,373	67 - 86	51	51,000	>55,000
W	CS	T	9L	1,103	1,129	928	1,135	947	1,148	76 - 98	12	>55,000	>55,000
			18L	1,929	1,974	1,623	1,986	1,656	2,008	77 - 99	20	>55,000	>55,000
			24L	2,830	2,896	2,381	2,913	2,430	2,947	81 - 104	28	52,000	>55,000
			32L	3,560	3,643	2,994	3,664	3,057	3,706	77 - 99	38	52,000	>55,000
			43L	4,559	4,665	3,835	4,693	3,915	4,746	73 - 93	51	51,000	>55,000
	CSS	T	9L	1,045	1,070	879	1,076	898	1,088	72 - 93	12	>55,000	>55,000
			18L	1,828	1,871	1,538	1,882	1,570	1,903	73 - 94	20	>55,000	>55,000
			24L	2,682	2,745	2,256	2,761	2,303	2,793	76 - 98	28	52,000	>55,000
			32L	3,374	3,453	2,838	3,473	2,897	3,513	73 - 94	38	52,000	>55,000
			43L	4,320	4,422	3,634	4,448	3,710	4,498	69 - 88	51	51,000	>55,000
	FW	T	9L	932	954	784	959	800	970	65 - 83	12	>55,000	>55,000
			18L	1,630	1,668	1,371	1,678	1,400	1,697	65 - 84	20	>55,000	>55,000
			24L	2,392	2,448	2,012	2,462	2,054	2,491	68 - 87	28	52,000	>55,000
			32L	3,008	3,079	2,531	3,097	2,583	3,132	65 - 84	38	52,000	>55,000
			43L	3,853	3,943	3,241	3,966	3,309	4,011	61 - 79	51	51,000	>55,000

Subject to change without notice. Visit [www.kenall.com](http://www.kenall.com) for ies files and additional information.



[www.kenall.com](http://www.kenall.com) | P: 800-4-Kenall | F: 262-891-9700 | 10200 55th Street Kenosha, Wisconsin 53144, USA

This product is able to comply with the latest domestic preference legislation, such as the Buy American Act (BAA), Trade Agreement Act (TAA), Build America, Buy America Act (BABA), and others. It may be covered by patents found at [www.kenall.com/patents](http://www.kenall.com/patents). Content of specification sheets is subject to change; please consult [www.kenall.com](http://www.kenall.com) for current product details. ©2024 Kenall Mfg. Co.

A brand of Legrand

# MEDMASTER DOWNLIGHT

## Luminaires for Surgical Applications

### M4DL SERIES

For additional photometry, go to [www.kenall.com](http://www.kenall.com)

#### PERFORMANCE - FLUSH LENS

Wide Distribution Candela Curve	MDL6-xF-18L-40K8-W-CS-T		Distance to illuminated plane (ft)	MDL6-xF-18L-40K8-M-CS-T		Medium Distribution Candela Curve
	Initial center beam foot-candles	Beam diameter (ft)		Initial center beam foot-candles	Beam diameter (ft)	
	56.5	5.3	5'	80.0	5.0	
	39.3	6.4	6'	55.6	6.0	
	28.8	7.5	7'	40.8	7.0	
	22.1	8.5	8'	31.3	8.0	
	17.5	9.6	9'	24.7	9.0	
	14.1	10.7	10'	20.0	10.0	
Spacing Criteria: 1.35	Foot-candle multipliers for 30K8 (0.97), 35K8 (0.99), 35K9 (0.82), 40K9 (0.83), 50K8 (1.01)				Spacing Criteria: 0.97	
Beam Angle: 56°	Beam diameter is where foot-candles drop to 50% of maximum				Beam Angle: 53°	

Wide Distribution Candela Curve	MDL6-xF-18L-40K8-W-CSS-T		Distance to illuminated plane (ft)	MDL6-xF-18L-40K8-M-CSS-T		Medium Distribution Candela Curve
	Initial center beam foot-candles	Beam diameter (ft)		Initial center beam foot-candles	Beam diameter (ft)	
	59.0	3.9	5'	108.9	4.5	
	41.0	4.6	6'	75.6	5.4	
	30.1	5.4	7'	55.6	6.3	
	23.1	6.2	8'	42.5	7.2	
	18.2	7.0	9'	33.6	8.1	
	14.8	7.7	10'	27.2	9.0	
Spacing Criteria: 1.28	Foot-candle multipliers for 30K8 (0.97), 35K8 (0.99), 35K9 (0.82), 40K9 (0.83), 50K8 (1.01)				Spacing Criteria: 0.72	
Beam Angle: 42°	Beam diameter is where foot-candles drop to 50% of maximum				Beam Angle: 49°	

Wide Distribution Candela Curve	MDL6-xF-18L-40K8-W-FW-T		Distance to illuminated plane (ft)	MDL6-xF-18L-40K8-M-FW-T		Medium Distribution Candela Curve
	Initial center beam foot-candles	Beam diameter (ft)		Initial center beam foot-candles	Beam diameter (ft)	
	57.7	6.3	5'	63.9	6.4	
	40.1	7.6	6'	44.3	7.7	
	29.4	8.8	7'	32.6	9.0	
	22.5	10.1	8'	24.9	10.3	
	17.8	11.4	9'	19.7	11.6	
	14.4	12.6	10'	16.0	12.9	
Spacing Criteria: 1.1	Foot-candle multipliers for 30K8 (0.97), 35K8 (0.99), 35K9 (0.82), 40K9 (0.83), 50K8 (1.01)				Spacing Criteria: 1.03	
Beam Angle: 64.6°	Beam diameter is where foot-candles drop to 50% of maximum				Beam Angle: 65.6°	



www.kenall.com | P: 800-4-Kenall | F: 262-891-9700 | 10200 55th Street Kenosha, Wisconsin 53144, USA  
 This product is able to comply with the latest domestic preference legislation, such as the Buy American Act (BAA), Trade Agreement Act (TAA), Build America, Buy America Act (BABA), and others. It may be covered by patents found at [www.kenall.com/patents](http://www.kenall.com/patents). Content of specification sheets is subject to change; please consult [www.kenall.com](http://www.kenall.com) for current product details. ©2024 Kenall Mfg. Co.

A brand of Legrand

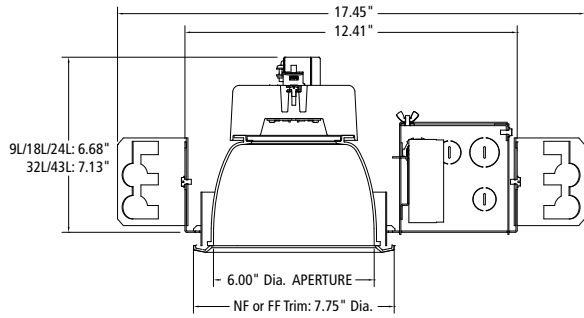
# MEDMASTER DOWNLIGHT

Luminaires for Surgical Applications

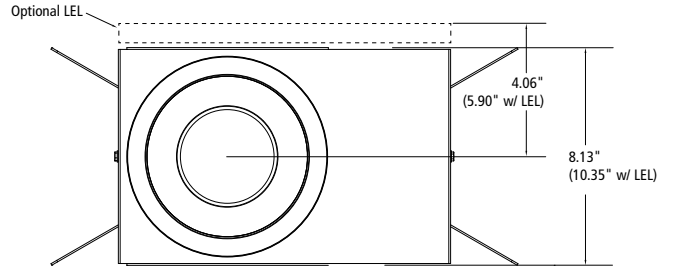
## M4DL SERIES

### DIMENSIONAL DATA

CROSS SECTION



BOTTOM VIEW



### RECOMMENDED CEILING CUT-OUT

NF Trims: 7.13" Dia.

FF Trims: 7.38" Dia.



www.kenall.com | P: 800-4-Kenall | F: 262-891-9700 | 10200 55th Street Kenosha, Wisconsin 53144, USA  
This product is able to comply with the latest domestic preference legislation, such as the Buy American Act (BAA), Trade Agreement Act (TAA), Build America, Buy America Act (BABA), and others. It may be covered by patents found at [www.kenall.com/patents](http://www.kenall.com/patents). Content of specification sheets is subject to change; please consult [www.kenall.com](http://www.kenall.com) for current product details. ©2024 Kenall Mfg. Co.

A brand of Legrand