

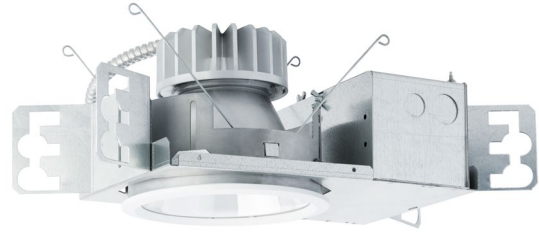
MILLENIUM DOWNLIGHT

Luminaires for High Abuse Applications

HADL SERIES

PRODUCT FEATURES:

- » 6" sealed, recessed downlight with flush lens trim
- » Peace of Mind Guarantee® against breakage
- » 630 - 4,600 delivered lumens with multiple distribution, reflector finish and lens options
- » 1% Dimming via 0-10V or DALI-2 control
- » NSF2 and IP65 ingress protection rating
- » Ligature resistant construction



SPECIFICATIONS

HEAT SINK: Die-cast aluminum with external radial fins for natural convection.

ROUGH-IN FRAME: 18-gauge die-formed, corrosion-resistant steel (type 304 stainless with NAT option). Vertically adjustable collar accommodates ceiling thicknesses up to 2", adjustable post-installation. Universal mounting brackets accept 3/4" and 1-1/2" lathers channel, 1/2" EMT conduit and hanger bars. Quick-access junction box accessible post-installation from above and below ceiling. Includes (4) 1/2" and (2) 3/4" knock-outs to allow straight conduit runs. Listed for (8) 12AWG, 90°C conductors and feed-thru branch wiring. Provided with FMC with electrical quick-connect to Trim Section.

TRIM/HOUSING SECTION: IP-rated housing section incorporates the heat sink, LED module, optics and lower trim. Flush lens trim secured with four (4) Torx® tamper-resistant, captive fasteners. See Trim Ordering Information for available options.

OPTICAL: Clear tempered glass upper lens. 1/8" or 1/4" clear polycarbonate flush lens at ceiling trim. Continuous seal between lens and trim ring. Available with various reflector distribution patterns and finishes. See Ordering Information for available options.

ELECTRICAL: LED source available in multiple CCT and CRI combinations with a maximum 3-step MacAdam variation allowance. See Trim Ordering Information for available options. 120-277VAC or 347VAC, 50/60Hz electrical input with serviceable constant current driver (<20% THD, >0.90 PF). Minimum 85% driver efficiency. Standard 0-10V dimming with 1-100% range and dim-to-dark capabilities; 0.2mA maximum source current. Optional eldoLED ECode DALI-2 (DT6) / LEDcode2 driver with 1-100% range.

PHOTOMETRICS: Photometry tested to the IESNA LM-79-08 standard by an ILAC/ISO17025 accredited laboratory. For photometric information, go to www.kenall.com.

WARRANTY: Limited five (5) year LED warranty. [Peace of Mind Guarantee against breakage.](#)

INSTALLATION: Suitable for ambient temperature temperatures of -30°C to +40°C, unless otherwise stated.

LISTINGS: Luminaire is certified to UL standards by Intertek Testing Laboratory for non-IC and Wet Location installations. IP65 rating per IEC60598. Optional CCEA compliance. Ligature resistant construction.



ORDERING INFORMATION (EX: HADL6-FF-2FW-18L-40K8-W-CSS-G-RIG6-DV-DIM1)

TRIM								ROUGH-IN				
Model	Trim Style	Trim Finish	Lamp Power	Lamp Color	Distribution	Reflector Finish	Flush Lens Type	Rough-In	Input Voltage	Driver Type	Options	
HADL6 FF								RIG6				
Trim Style			Lamp Color					Rough-In				
FF Flush Lens (With Fasteners - IP65)			30K8 3000K / 80 CRI min.					RIG6 6" Rough-In				
			30K9 3000K / 90 CRI min.					Input Voltage				
Trim Finish			35K8 3500K / 80 CRI min.					DV 120-277V, 50/60Hz				
2FW Cold-Rolled Steel in Flat White			35K9 3500K / 90 CRI min.					120 120VAC, 60Hz				
5BR Type 304 Stainless Steel with 4B Brushed Finish			40K8 4000K / 80 CRI min.					277 277VAC, 60Hz				
XBR Type 316 Stainless Steel with 4B Brushed Finish			40K9 4000K / 90 CRI min.					347* 347VAC, 60Hz				
5FW Type 304 Stainless Steel in Flat White			50K8 5000K / 80 CRI min.					Driver Type				
XFW Type 316 Stainless Steel in Flat White			Distribution					DIM1 0-10V Dimming to 1% with Dim-to-Dark				
PAFW Aluminum in Flat White			M Medium					DALI DALI-2/LEDcode2 Dimming to 1% without Dim-to-Dark				
Lamp Power			W Wide					Options				
9L 9 Watt LED			Reflector Finish					LEL Emergency Battery Backup with Remote Test Switch				
18L 18 Watt LED			FW Flat White					NAT† Natatorium Environment				
24L 24 Watt LED			CS Clear Specular					FS Fuse & Holder				
32L 32 Watt LED			CSS Clear Semi-Specular					CCEA• CCEA Approved (specified voltage required)				
43L▲ 43 Watt LED			Flush Lens Type									
			G 1/8" Clear Polycarbonate									
			9 1/4" Clear Polycarbonate									

* N/A with DALI Driver Type. N/A with LEL and CCEA option
 † Requires selection of XBR or XFW Trim Finish. Rough-In frame constructed of Type 304 stainless steel in lieu of corrosion-resistant steel
 ▲ Must be installed with a minimum 24" on-center spacing, 12" from wall, and have 3" clearance above the Trim/Housing
 • N/A with W-CS Distribution-Reflector Finish



MILLENIUM DOWNLIGHT

Luminaires for High Abuse Applications

HADL SERIES

PERFORMANCE - MEDIUM DISTRIBUTION

Optic			Lamp Power	Initial Delivered Lumens, By Lamp Color						Efficacy (lm/W)	Input Power (W)	TM-21 Reported L90 (hrs)	TM-21 Reported L70 (hrs)
Distribution	Reflector Finish	Lens Type		30K8	35K8	35K9	40K8	40K9	50K8				
M	CS	G	9L	1,079	1,104	908	1,111	926	1,123	75 - 96	12	>55,000	>55,000
			18L	1,887	1,931	1,587	1,942	1,620	1,965	75 - 97	20	>55,000	>55,000
			24L	2,769	2,833	2,329	2,850	2,377	2,883	79 - 101	28	52,000	>55,000
			32L	3,482	3,564	2,929	3,584	2,990	3,625	75 - 97	38	52,000	>55,000
			43L	4,459	4,564	3,751	4,590	3,829	4,643	71 - 91	51	51,000	>55,000
		9	9L	1,055	1,080	888	1,086	906	1,099	73 - 94	12	>55,000	>55,000
			18L	1,846	1,889	1,553	1,900	1,585	1,922	74 - 95	20	>55,000	>55,000
			24L	2,709	2,772	2,279	2,788	2,326	2,820	77 - 99	28	52,000	>55,000
			32L	3,407	3,486	2,866	3,507	2,925	3,547	74 - 95	38	52,000	>55,000
			43L	4,363	4,465	3,670	4,491	3,746	4,542	70 - 89	51	51,000	>55,000
	CSS	G	9L	948	971	798	976	814	987	66 - 84	12	>55,000	>55,000
			18L	1,659	1,697	1,395	1,707	1,424	1,727	66 - 85	20	>55,000	>55,000
			24L	2,434	2,491	2,047	2,505	2,090	2,534	69 - 89	28	52,000	>55,000
			32L	3,061	3,133	2,575	3,151	2,629	3,187	66 - 85	38	52,000	>55,000
			43L	3,920	4,012	3,298	4,035	3,366	4,081	62 - 80	51	51,000	>55,000
		9	9L	928	950	780	955	797	966	64 - 82	12	>55,000	>55,000
			18L	1,623	1,661	1,365	1,670	1,394	1,690	65 - 83	20	>55,000	>55,000
			24L	2,381	2,437	2,003	2,451	2,045	2,479	68 - 87	28	52,000	>55,000
			32L	2,995	3,065	2,519	3,083	2,572	3,118	65 - 83	38	52,000	>55,000
			43L	3,835	3,925	3,226	3,948	3,293	3,993	61 - 78	51	51,000	>55,000
	FW	G	9L	980	1,003	824	1,009	842	1,020	68 - 87	12	>55,000	>55,000
			18L	1,714	1,754	1,442	1,764	1,472	1,785	69 - 88	20	>55,000	>55,000
			24L	2,515	2,574	2,116	2,589	2,160	2,618	72 - 92	28	52,000	>55,000
			32L	3,163	3,237	2,661	3,256	2,716	3,293	68 - 88	38	52,000	>55,000
43L			4,051	4,145	3,407	4,170	3,478	4,217	65 - 83	51	51,000	>55,000	
9		9L	959	981	806	987	823	998	66 - 85	12	>55,000	>55,000	
		18L	1,677	1,716	1,411	1,726	1,440	1,746	67 - 86	20	>55,000	>55,000	
		24L	2,460	2,518	2,070	2,533	2,113	2,562	70 - 90	28	52,000	>55,000	
		32L	3,094	3,167	2,603	3,185	2,657	3,222	67 - 86	38	52,000	>55,000	
		43L	3,963	4,056	3,334	4,079	3,403	4,126	63 - 81	51	51,000	>55,000	

Subject to change without notice. Visit www.kenall.com for ies files and additional information.



www.kenall.com | P: 800-4-Kenall | F: 262-891-9700 | 10200 55th Street Kenosha, Wisconsin 53144, USA

This product is able to comply with the latest domestic preference legislation, such as the Buy American Act (BAA), Trade Agreement Act (TAA), Build America, Buy America Act (BABA), and others. It may be covered by patents found at www.kenall.com/patents. Content of specification sheets is subject to change; please consult www.kenall.com for current product details. ©2024 Kenall Mfg. Co.

A brand of Legrand

MILLENIUM DOWNLIGHT

Luminaires for High Abuse Applications

HADL SERIES

PERFORMANCE - WIDE DISTRIBUTION

Optic			Lamp Power	Initial Delivered Lumens, By Lamp Color						Efficacy (lm/W)	Input Power (W)	TM-21 Reported L90 (hrs)	TM-21 Reported L70 (hrs)
Distribution	Reflector Finish	Lens Type		30K8	35K8	35K9	40K8	40K9	50K8				
W	CS	G	9L	1,063	1,088	895	1,095	913	1,107	74 - 94	12	>55,000	>55,000
			18L	1,860	1,904	1,565	1,915	1,597	1,937	74 - 95	20	>55,000	>55,000
			24L	2,729	2,793	2,296	2,810	2,344	2,842	78 - 100	28	52,000	>55,000
			32L	3,433	3,513	2,888	3,534	2,948	3,574	74 - 95	38	52,000	>55,000
			43L	4,396	4,499	3,698	4,525	3,775	4,577	70 - 90	51	51,000	>55,000
		9	9L	1,040	1,065	875	1,071	893	1,083	72 - 92	12	>55,000	>55,000
			18L	1,820	1,862	1,531	1,873	1,563	1,895	73 - 93	20	>55,000	>55,000
			24L	2,670	2,733	2,246	2,749	2,293	2,780	76 - 98	28	52,000	>55,000
			32L	3,358	3,437	2,825	3,457	2,884	3,497	73 - 93	38	52,000	>55,000
			43L	4,301	4,401	3,618	4,427	3,693	4,478	69 - 88	51	51,000	>55,000
	CSS	G	9L	1,008	1,032	848	1,038	866	1,049	70 - 90	12	>55,000	>55,000
			18L	1,763	1,804	1,483	1,815	1,514	1,836	71 - 90	20	>55,000	>55,000
			24L	2,587	2,647	2,176	2,663	2,221	2,693	74 - 95	28	52,000	>55,000
			32L	3,253	3,329	2,737	3,349	2,794	3,387	70 - 90	38	52,000	>55,000
			43L	4,166	4,264	3,505	4,289	3,578	4,338	66 - 85	51	51,000	>55,000
		9	9L	986	1,009	830	1,015	847	1,027	68 - 88	12	>55,000	>55,000
			18L	1,725	1,765	1,451	1,776	1,481	1,796	69 - 89	20	>55,000	>55,000
			24L	2,531	2,590	2,129	2,605	2,173	2,635	72 - 93	28	52,000	>55,000
			32L	3,183	3,257	2,678	3,277	2,733	3,314	69 - 88	38	52,000	>55,000
			43L	4,076	4,172	3,429	4,196	3,500	4,244	65 - 83	51	51,000	>55,000
	FW	G	9L	899	920	756	925	772	936	62 - 80	12	>55,000	>55,000
			18L	1,572	1,609	1,323	1,618	1,350	1,637	63 - 81	20	>55,000	>55,000
			24L	2,307	2,361	1,940	2,375	1,981	2,402	66 - 84	28	52,000	>55,000
			32L	2,901	2,969	2,441	2,987	2,491	3,021	63 - 81	38	52,000	>55,000
43L			3,715	3,802	3,126	3,825	3,191	3,868	59 - 76	51	51,000	>55,000	
9		9L	879	900	740	905	755	916	61 - 78	12	>55,000	>55,000	
		18L	1,538	1,574	1,294	1,583	1,321	1,601	62 - 79	20	>55,000	>55,000	
		24L	2,257	2,310	1,898	2,323	1,938	2,350	64 - 83	28	52,000	>55,000	
		32L	2,838	2,905	2,388	2,922	2,437	2,955	61 - 79	38	52,000	>55,000	
		43L	3,635	3,720	3,058	3,742	3,121	3,785	58 - 74	51	51,000	>55,000	

Subject to change without notice. Visit www.kenall.com for ies files and additional information.



www.kenall.com | P: 800-4-Kenall | F: 262-891-9700 | 10200 55th Street Kenosha, Wisconsin 53144, USA
 This product is able to comply with the latest domestic preference legislation, such as the Buy American Act (BAA), Trade Agreement Act (TAA), Build America, Buy America Act (BABA), and others. It may be covered by patents found at www.kenall.com/patents. Content of specification sheets is subject to change; please consult www.kenall.com for current product details. ©2024 Kenall Mfg. Co.

A brand of Legrand

MILLENIUM DOWNLIGHT

Luminaires for High Abuse Applications

HADL SERIES

PERFORMANCE

Wide Distribution Candela Curve	HADL6-FF-18L-40K8-W-CS-G		Distance to illuminated plane (ft)	HADL6-FF-18L-40K8-M-CS-G		Medium Distribution Candela Curve
	Initial center beam foot-candles	Beam diameter (ft)		Initial center beam foot-candles	Beam diameter (ft)	
	54.5	5.3	5'	77.2	5.0	
	37.9	6.4	6'	53.6	6.0	
	27.8	7.5	7'	39.4	7.0	
	21.3	8.5	8'	30.2	8.0	
	16.8	9.6	9'	23.8	9.0	
	13.6	10.7	10'	19.3	10.0	
Spacing Criteria: 1.35	Foot-candle multipliers for 30K8 (0.97), 35K8 (0.99), 35K9 (0.82), 40K9 (0.83), 50K8 (1.01)				Spacing Criteria: 0.97	
Beam Angle: 56°	Beam diameter is where foot-candles drop to 50% of maximum				Beam Angle: 53°	

Wide Distribution Candela Curve	HADL6-FF-18L-40K8-W-CSS-G		Distance to illuminated plane (ft)	HADL6-FF-18L-40K8-M-CSS-G		Medium Distribution Candela Curve
	Initial center beam foot-candles	Beam diameter (ft)		Initial center beam foot-candles	Beam diameter (ft)	
	56.9	3.9	5'	105.0	4.5	
	39.5	4.6	6'	72.9	5.4	
	29.0	5.4	7'	53.5	6.3	
	22.2	6.2	8'	41.0	7.2	
	17.6	7.0	9'	32.4	8.1	
	14.2	7.7	10'	26.2	9.0	
Spacing Criteria: 1.28	Foot-candle multipliers for 30K8 (0.97), 35K8 (0.99), 35K9 (0.82), 40K9 (0.83), 50K8 (1.01)				Spacing Criteria: 0.72	
Beam Angle: 42°	Beam diameter is where foot-candles drop to 50% of maximum				Beam Angle: 49°	

Wide Distribution Candela Curve	HADL6-FF-18L-40K8-W-FW-G		Distance to illuminated plane (ft)	HADL6-FF-18L-40K8-M-FW-G		Medium Distribution Candela Curve
	Initial center beam foot-candles	Beam diameter (ft)		Initial center beam foot-candles	Beam diameter (ft)	
	55.7	6.3	5'	61.5	6.4	
	38.6	7.6	6'	42.7	7.7	
	28.4	8.8	7'	31.4	9.0	
	21.7	10.1	8'	24.0	10.3	
	17.2	11.4	9'	19.0	11.6	
	13.9	12.6	10'	15.4	12.9	
Spacing Criteria: 1.1	Foot-candle multipliers for 30K8 (0.97), 35K8 (0.99), 35K9 (0.82), 40K9 (0.83), 50K8 (1.01)				Spacing Criteria: 1.03	
Beam Angle: 65°	Beam diameter is where foot-candles drop to 50% of maximum				Beam Angle: 66°	



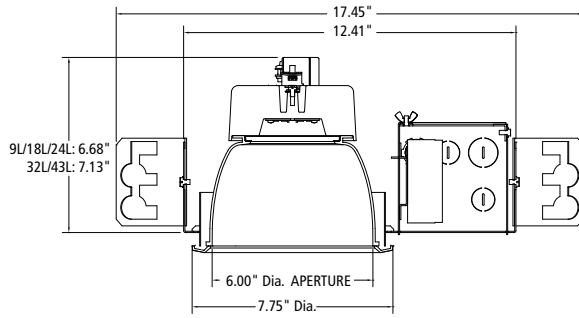
MILLENIUM DOWNLIGHT

Luminaires for High Abuse Applications

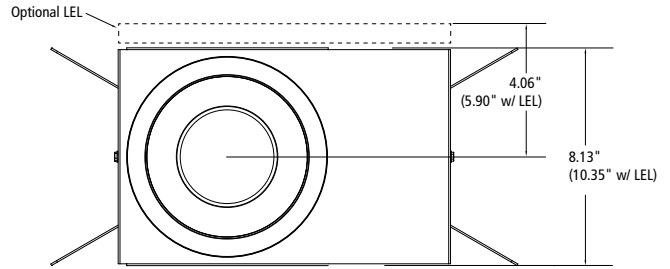
HADL SERIES

DIMENSIONAL DATA

CROSS SECTION



BOTTOM VIEW



RECOMMENDED CEILING CUT-OUT: 7.38" Dia.

