

MILLENNIUM FREESCALE™

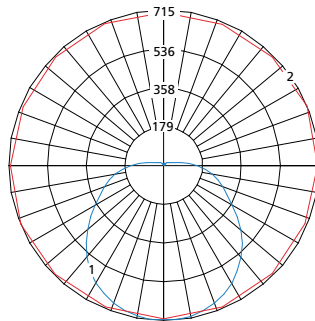
FS1224 SERIES – Technical Data

PERFORMANCE

Lamp Type	Initial Delivered Lumens		Input Power (W)	Drive Current (mA)	Estd. L70 LED Life (Hrs)
	@ 25°C	Efficacy (lm/W)			
45L30K	3,324	68	49	94	80,000
45L35K	3,427	70			
45L40K	3,544	72			
45L50K	3,686	75			

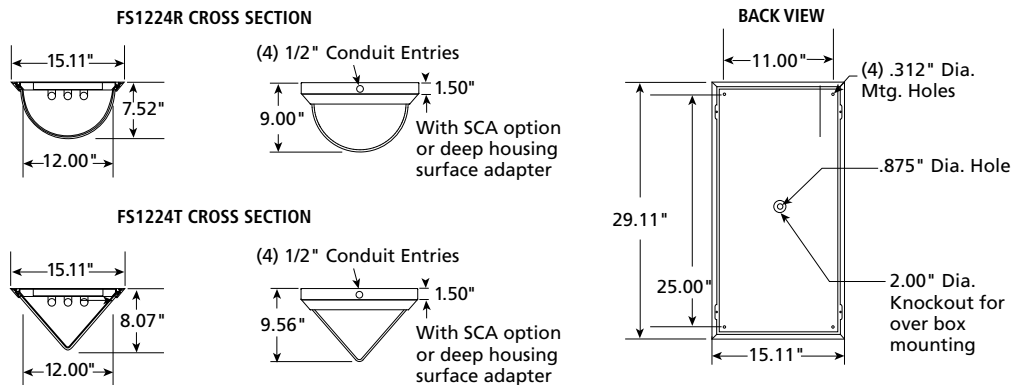
Displayed info is for PIA lens only. Infor subject to change. Visit www.kenall.com for IES files and additional information.

Model: FS1224T-2TB-PIA-MB-45L40K-DV



Maximum Candela = 715 Located At Horizontal Angle = 22.5, Vertical Angle = 5
 — 1 - Vertical Plane Through Horizontal Angles (22.5-202.5) (Through Max. Cd.)
 — 2 - Horizontal Cone Through Vertical Angle (5) (Through Max. Cd.)

DIMENSIONAL DATA



www.kenall.com | P: 800-4-Kenall | F: 262-891-9701 | 10200 55th Street Kenosha, Wisconsin 53144, USA

This product complies with the Buy American Act: manufactured in the United States with more than 50% of the component cost of US origin. It may be covered by patents found at www.kenall.com/patents. Content of specification sheets is subject to change; please consult www.kenall.com for current product details. ©2022 Kenall Mfg. Co.

A brand of Legrand