

SIMPLESEAL™ NARROW SPECTRUM

CSEDI SERIES – RED & TUNABLE WHITE LED – INSET DOOR

PROJECT INFORMATION

Job Name _____

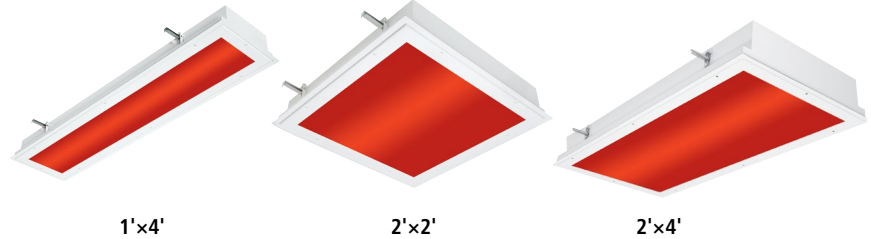
Fixture Type _____

Catalog Number _____

Approved by _____

PRODUCT FEATURES:

- » Click [here](#) for fixed white CCT Product
- » Narrow-spectrum 630nm red LED circuit provides only high-purity light for spectrally-sensitive applications
- » High-output, tunable white LED circuit provides visual acuity and accurate color rendition with an adjustable color spectrum
- » Diffused high-efficiency lens for reduced glare
- » One-piece inset doorframe, secured to housing with aircraft cables
- » Suitable for universal installation into 1.0" and 1.5" grid or flange (drywall) ceilings



SPECIFICATIONS

HOUSING: Standard 24-gauge (optional 20-gauge) cold rolled steel, hole-free, one-piece, seam-welded construction. 18-gauge housing flange with mitered and welded corners. White TGIC polyester powder coat finish – 5-step pre-treatment. Salt spray test: 1,000 hours; Reflectance: 92%.

DOORFRAME: 18-gauge CRS. One-piece inset-style construction with welded corners. Gloss white TGIC polyester powder coat finish with 5-stage pre-treatment. Doorframe secured to housing with stainless steel aircraft cables and captive, flush-mounted Phillips-head fasteners. Closed-cell silicone gasket seals doorframe to housing.

OPTICS: Symmetric optic includes diffused, impact-resistant acrylic lens.

LED MODULE: Serviceable tunable-white, mid-power LED array provides 2700K through 6500K CCT range with a two-point path. 3-step MacAdam variation allowance on each CCT. Minimum 82 CRI standard (R9 >20) with optional minimum 92 CRI (R9 >50). Serviceable 630nm red mid-power LED array (16nm FWHM bandwidth).

DRIVER: 120-277VAC, 50/60Hz electrical input (PF ≥ 0.9, THD < 20%). Minimum 85% electrical efficiency. Tunable white circuit can be independently powered and dimmed. **TW:** Serviceable, constant-current multi-channel programmable driver with dual analog (0-10V) control inputs for intensity and CCT. Optional DALI (Type 8) driver. Logarithmic intensity profile with 0.1-100% range, with dim-to-dark capabilities. Linear profile on CCT adjustment. Refer to charts on page 2 for further details. **RED:** Serviceable constant-current programmable driver. Dimming protocol matches tunable white circuit selection: 0-10V dimming with 1-100% range and dim-to-dark capabilities or DALI with 1-100% range and dim-to-dark capability.

INSTALLATION: Non-IC recessed ceiling mounting into grid and flange application types. Flange installation utilizes included adjustable swing-out mounting brackets. Grid installation suitable for 1" and 1.5" T-bar ceilings. Universal installation into grid or flange (drywall) ceiling applications. See Options for continuous row mounting and install frames.

PHOTOMETRICS: Photometry tested to the IESNA LM-79-08 standard. For additional photometric data, please go to www.kenall.com

WARRANTY: Limited five (5) year warranty.

LISTINGS: Luminaire is certified to UL standards by Intertek Testing Laboratories for Wet Locations and non-IC recessed installation. Certified IP65 per IEC 60598. NSF2 Splash/Non-Food Zone. CCEA Approved. Suitable for biosafety labs rated 1-2 and FED-STD-209E/Class 1 (ISO 3) Cleanrooms. Suitable for EU GMP Grade A cleanrooms. CSEDI is participating in Declare. Build America, Buy America Act compliant.



ORDERING INFORMATION (Ex: CSEDI-24-23RD/67T-27/65K9-ATW-DV-2F-2H-SYM)

Model	Size	Lamp Power	Lamp Color	Driver	Voltage	Doorframe	Housing	Optics	Options
CSEDI								SYM	
Size				Voltage				Options	
14	1'x4'			DV	120-277VAC, 50/60Hz			LEL*	10W Emergency Battery Pack
22	2'x2'			120	120VAC			AMF*	Antimicrobial Finish
24	2'x4'			277	277VAC			FS	Fuse & Holder
Lamp Power				Doorframe Options				HJ	Sealed Wireway
1'x4'				2F	18-Ga CRS (STD)			RF*	Radio Frequency Filter
23R/45T	23 Watt Red/45 Watt Tunable White LED			5F	20-Ga Type 304 SS Brushed			RM†	Continuous Row Mounting
23R/67T	23 Watt Red/67 Watt Tunable White LED			AF	Anodized Aluminum			Accessories	
2'x2'				PAF	Painted Fabricated Aluminum			IF*†	Install Frame
23RD/45TD	23 Watt Red/45 Watt Tunable White LED			Housing Options					
23RD/67T	23 Watt Red/67 Watt Tunable White LED			4H	24-Ga CRS (STD)				* Add .375" to ceiling cut out dimensions
2'x4'				2H	20-Ga CRS				† Only available when installed in drywall ceilings (flange mount), Consult factory for ceiling layout assistance
23RD/45TD	23 Watt Red/45 Watt Tunable White LED			5H	20-Ga Type 304 SS				▲ 0°C/32°F min. ambient. Wired to cool white channel
23RD/67T	23 Watt Red/67 Watt Tunable White LED			PAH	.050" Painted Aluminum				▼ Applied only to exposed painted surfaces of luminaire (not available on stainless steel doorframes)
23RD/90T	23 Watt Red/90 Watt Tunable White LED			Optics					• Voltage specific selection required. n/a with 23R/67T lamp on 1'x4' and 2'x2' sizes
Lamp Color				SYM	Symmetric, Diffused DR Acrylic				
27/65K8	2700-6500K CCT Range (82 CRI min)								
27/65K9	2700-6500K CCT Range (92 CRI min)								
Driver Type									
ATW	Analog (0-10V) Dimming Tunable White Driver								
DTW	DALI Tunable White Driver								
DMX	DMX Tunable White Driver (Consult Factory)								



www.kenall.com | P: 800-4-Kenall | F: 262-891-9700 | 10200 55th Street Kenosha, Wisconsin 53144, USA
 This product is able to comply with the latest domestic preference legislation, such as the Buy American Act (BAA), Trade Agreement Act (TAA), Build America, Buy America Act (BABA), and others. It may be covered by patents found at www.kenall.com/patents. Content of specification sheets is subject to change; please consult www.kenall.com for current product details. ©2025 Kenall Mfg. Co.

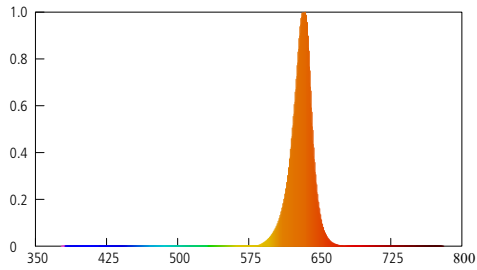
A brand of **Legrand**

SIMPLESEAL™

CSEDI SERIES – RED & TUNABLE WHITE LED – INSET DOOR

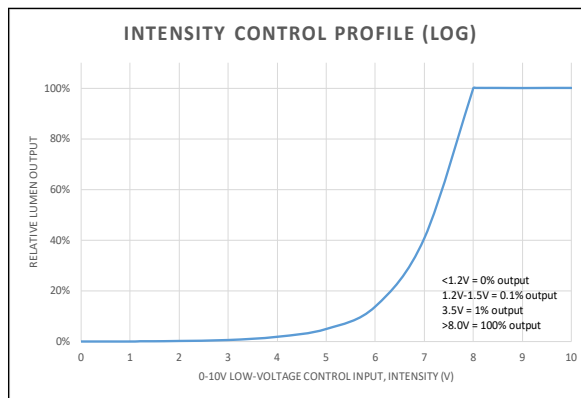
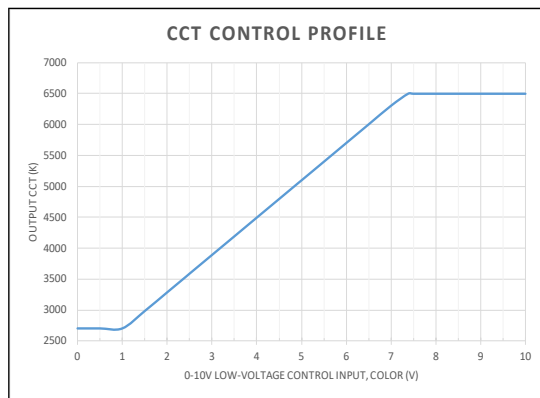
Size	Lamp Code	Red LED Circuit Initial Delivered Lumens			Tunable White LED Circuit Delivered Performance at 4000K			Red/White Estd. L ₇₀ LED Life (hrs)
		Lumen Output (lm)	Efficacy (lm/W)	Input Power (W)	Lumen Output (lm)	Efficacy (lm/W)	Input Power (W)	
1' × 4'	23R/45T-27/65K8	1,019	36	28	5,305	115	46	36,000 / 80,000
	23R/45T-27/65K9	1,019	36	28	4,275	93	46	36,000 / 80,000
	23R/67T-27/65K8	1,019	36	28	7,937	117	68	36,000 / 80,000
	23R/67T-27/65K9	1,019	36	28	6,574	97	68	36,000 / 80,000
2' × 2'	23RD/45TD-27/65K8	993	35	28	5,131	112	46	36,000 / 80,000
	23RD/45TD-27/65K9	993	35	28	4,135	90	46	36,000 / 80,000
	23RD/67T-27/65K8	993	35	28	7,676	113	68	36,000 / 80,000
	23RD/67T-27/65K9	993	35	28	6,358	93	68	36,000 / 80,000
2' × 4'	23RD/45TD-27/65K8	1,108	50	22	6,153	137	45	36,000 / 80,000
	23RD/45TD-27/65K9	1,108	50	22	4,958	110	45	36,000 / 80,000
	23RD/67T-27/65K8	1,108	50	22	8,186	120	68	36,000 / 80,000
	23RD/67T-27/65K9	1,108	50	22	6,780	100	68	36,000 / 80,000
	23RD/90T-27/65K8	1,108	50	22	10,632	116	92	36,000 / 80,000
	23RD/90T-27/65K9	1,108	50	22	8,569	93	92	36,000 / 80,000

SPECTRAL POWER DISTRIBUTION - RED



Purity: 1.0
 UV: 0.0000% (<390nm)
 Radiant Flux < 575nm: 0.000%
 Bandwidth: 16nm
 Peak Wavelength: 630nm

CCT AND INTENSITY ADJUSTMENT PROFILE - ATW DRIVER TYPE



NOTE: The provided information is the typical expected performance of a single luminaire. Additional luminaires on the same 0-10V line may result in different control profiles. Fine tuning of system performance should be completed after installation is complete. To avoid CCT shift between luminaires, care should be taken to minimize voltage drop on the CCT Control line. It is recommended to limit the load on the CCT control circuit to twenty (20) 45T or ten (10) 67T/90T luminaires or less.

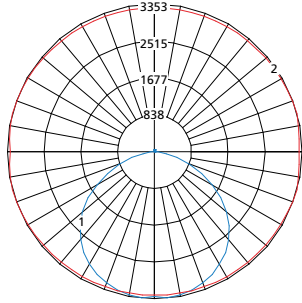


SIMPLESEAL™

CSEDI SERIES – TECHNICAL DATA

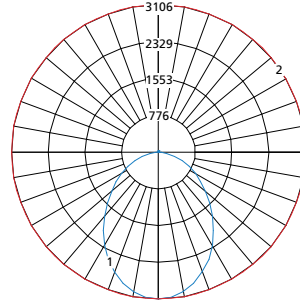
PERFORMANCE

Model: CSEDI14-23RD/67T-27/65K8-ATW-DV-2F-2H-SYM (White @ 4000K)



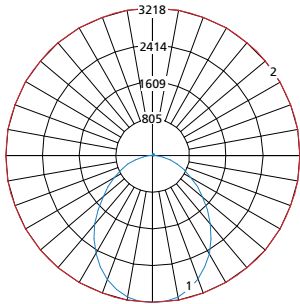
Maximum Candela = 3353 Located At Horizontal Angle = 15, Vertical Angle = 2.5
 1 - Vertical Plane Through Horizontal Angles (15-195) (Through Max. Cd.)
 2 - Horizontal Cone Through Vertical Angle (2.5) (Through Max. Cd.)

Model: CSEDI22-23RD/67T-27/65K8-ATW-DV-2F-2H-SYM (White @ 4000K)



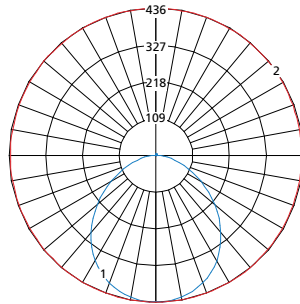
Maximum Candela = 3106 Located At Horizontal Angle = 195, Vertical Angle = 2.5
 1 - Vertical Plane Through Horizontal Angles (195-15) (Through Max. Cd.)
 2 - Horizontal Cone Through Vertical Angle (2.5) (Through Max. Cd.)

Model: CSEDI24-23RD/67T-27/65K8-ATW-DV-2F-2H-SYM (White @ 4000K)



Maximum Candela = 3218 Located At Horizontal Angle = 0, Vertical Angle = 5
 1 - Vertical Plane Through Horizontal Angles (0-180) (Through Max. Cd.)
 2 - Horizontal Cone Through Vertical Angle (5) (Through Max. Cd.)

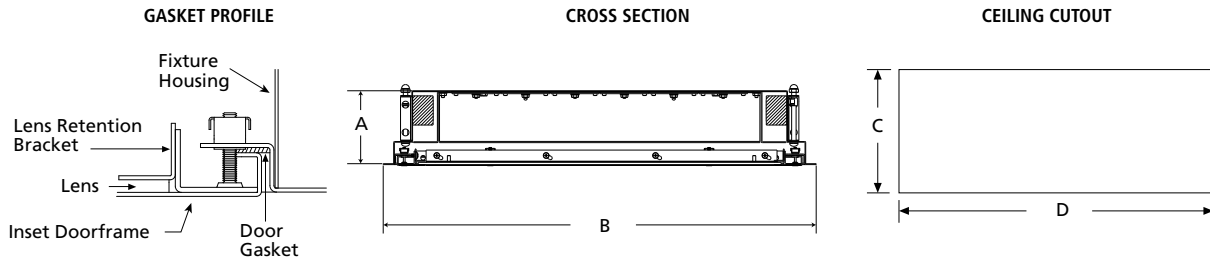
Model: CSEDI24-23RD/67L-40K8-DIM1-120-2F-2H-SYM (Red Mode)*



Maximum Candela = 436 Located At Horizontal Angle = 75, Vertical Angle = 2.5
 1 - Vertical Plane Through Horizontal Angles (75-255) (Through Max. Cd.)
 2 - Horizontal Cone Through Vertical Angle (2.5) (Through Max. Cd.)

*Luminous intensity of "red" mode is equal across all product sizes

DIMENSIONAL DATA



DIMENSIONAL DATA (IN INCHES)

	A	B	C	D
1x4	4.20	11.75 x 47.75	10.85	46.85
2x2	4.20	23.75 x 23.75	22.85	22.85
2x4	4.20	23.75 x 47.75	22.85	46.85

* Add .375" to ceiling cut out dimensions when IF Option is specified



www.kenall.com | P: 800-4-Kenall | F: 262-891-9700 | 10200 55th Street Kenosha, Wisconsin 53144, USA
 This product is able to comply with the latest domestic preference legislation, such as the Buy American Act (BAA), Trade Agreement Act (TAA), Build America, Buy America Act (BABA), and others. It may be covered by patents found at www.kenall.com/patents. Content of specification sheets is subject to change; please consult www.kenall.com for current product details. ©2025 Kenall Mfg. Co.

A brand of **Legrand**

Build America, Buy America Act (BABA), and others. It may be covered by patents found at www.kenall.com/patents. Content of specification sheets is subject to change; please consult www.kenall.com for current product details. ©2025 Kenall Mfg. Co.