

SIMPLESEAL™ NARROW SPECTRUM

CSEDI SERIES –Amber & White LED – INSET DOOR

PRODUCT FEATURES:

- » Narrow-spectrum 570nm amber LED circuit provides only high-purity light without UV for spectrally-sensitive applications
- » Available high-output, high-CRI white LED circuit provides visual acuity and accurate color rendition
- » Diffused high-efficiency lens for reduced glare
- » One-piece inset doorframe, secured to housing with aircraft cables
- » Suitable for universal installation into 1.0" and 1.5" grid or flange (drywall) ceilings

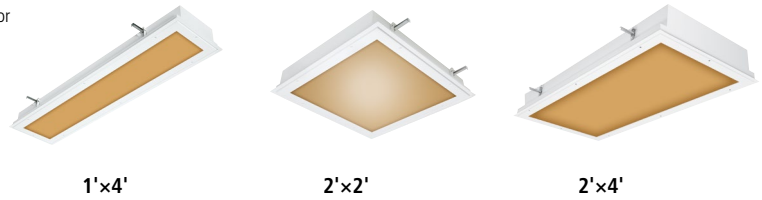
PROJECT INFORMATION

Job Name _____

Fixture Type _____

Catalog Number _____

Approved by _____



SPECIFICATIONS

HOUSING: Standard 24-gauge (optional 20-gauge) cold rolled steel, hole-free, one-piece, seam-welded construction. 18-gauge housing flange with mitered and welded corners. White TGIC polyester powder coat finish – 5-step pre-treatment. Salt spray test: 1,000 hours; Reflectance: 92%.

DOORFRAME: 18-gauge CRS. One-piece inset-style construction with welded corners. Gloss white TGIC polyester powder coat finish with 5-stage pre-treatment. Doorframe secured to housing with stainless steel aircraft cables and captive, flush-mounted Phillips-head fasteners. Closed-cell silicone gasket seals doorframe to housing.

OPTICS: Symmetric optic includes diffused, impact-resistant acrylic lens.

DOORFRAME GASKET: One-piece closed cell extruded Nitrile gasket seals doorframe to housing and ceiling structure.

ELECTRICAL: Replaceable 570nm amber (115 nm FWHM bandwidth) mid-power LED arrays produce no Ultraviolet and less than 0.019 watts of light below 480nm. Available separately circuited white mid-power LED arrays in 3500K, 4000K and 5000K color temperatures with maximum 3-step MacAdam variation allowance. Minimum 82 CRI. 120/277VAC or 347VAC, 50/60Hz electrical input with replaceable high power factor electronic, constant-current driver (<10% THD, >0.90 PF). Minimum 85% driver efficiency. Standard 0-10V dimming with 1-100% range on white and amber circuits with dim-to-dark capabilities (non dim-to-dark with 347V; 495µA maximum source current per circuit). Optional 0-10V dimming with 0.1-100% range and dim-to-dark capabilities via eldoLED SOLoDrive series driver (n/a 347V input; ≤0.5V required from dimming control for dim-to-dark operation; 600µA max. source current). White circuit and amber circuit can be independently powered and dimmed.

INSTALLATION: Non-IC recessed ceiling mounting into grid and flange application types. Flange installation utilizes included adjustable swing-out mounting brackets. Grid installation suitable for 1" and 1.5" T-bar ceilings. Universal installation into grid or flange (drywall) ceiling applications. See Options for continuous row mounting and install frames.

PHOTOMETRICS: Photometry tested to the IESNA LM-79-08 standard. For additional photometric data, please go to www.kenall.com.

WARRANTY: Limited five (5) year warranty.

LISTINGS: Luminaire is certified to UL standards by Intertek Testing Laboratories for Wet Location. Certified IP65 per IEC 60598. CCEA Approved. FED-STD-209E/Class 1 (ISO 3) Cleanrooms. Suitable for BSL 1-2 laboratories. Suitable for EU GMP Grade A cleanrooms. CSEDI is participating in Declare. Build America, Buy America Act compliant.



ORDERING INFORMATION (Ex: CSEDI-24-45AD/90L-40K8-DIM1-DV-2F-2H-SYM)

Model	Size	Lamp Power	Lamp Color / CRI	Driver	Voltage	Doorframe	Housing	Optics	Options
CSEDI								SYM	
Size	Lamp Power		Driver Type		Optics				
14 1'x4'	1'x4'		DIM1 0-10V Dimming to 1%		SYM Symmetric, Diffused DR Acrylic				
22 2'x2'	45A/45L 45W Amber/45W White		DIM01 0-10V Dimming to 0.1% (n/a with 347V)		Options				
24 2'x4'	45A 45 Watt Amber Only		Voltage		LEL* 10W Emergency Integral Battery Backup				
	90A 90 Watt Amber Only		DV 120-277VAC, 50/60Hz		AMF▲ Antimicrobial Finish				
	2'x2'		120 120VAC		FS Fuse & Holder				
	45AD/45LD 45W Amber/ 45W White (dual-row)		277 277VAC		HJ Sealed Wireway				
	45AD 45 Watt Amber Only (dual-row)		347 347VAC		RM† Continuous Row Mounting				
	90A 90 Watt Amber Only		Doorframe Options		Accessories				
	2'x4'		5F 20-Ga Type 304 SS		IF*† Install Frame				
	45AD/45LD 45W Amber/45W White (dual-row)		2F 18-Ga CRS (STD)		* Add .375" to ceiling cut out dimensions				
	45AD/67L 45W Amber/67W White (dual-row)		AF Anodized Aluminum		† Only available when installed in drywall ceilings (flange mount)				
	45AD/90L 45W Amber/90W White (dual-row)		PAF .063" Painted Fabricated Aluminum		• n/a with 347V input. 0°C/32°F min. ambient. Wired to Amber LED when amber/white lamping is selected.				
	90A/90L 90W Amber/90W White		Housing Options		▲ Applied only to exposed painted surfaces of luminaire (not available on stainless steel doorframes)				
	45AD 45 Watt Amber Only (dual-row)		4H 24-Ga CRS (STD)						
	90A 90 Watt Amber Only		2H 20-Ga CRS						
	135A 135 Watt Amber Only		5H 20-Ga Type 304 SS						
	White Lamp Color / CRI		PAH .050" Painted Aluminum						
	35K8 3500K / 82 CRI								
	35K8 3500K / 90 CRI								
	40K8 4000K / 82 CRI								
	40K8 4000K / 90 CRI								
	50K8 5000K / 82 CRI								
	50K8 5000K / 90 CRI								



www.kenall.com | P: 800-4-Kenall | F: 262-891-9700 | 10200 55th Street Kenosha, Wisconsin 53144, USA
 This product is able to comply with the latest domestic preference legislation, such as the Buy American Act (BAA), Trade Agreement Act (TAA), Build America, Buy America Act (BABA), and others. It may be covered by patents found at www.kenall.com/patents. Content of specification sheets is subject to change; please consult www.kenall.com for current product details. ©2025 Kenall Mfg. Co.

A brand of **Legrand**

SIMPLESEAL™

CSEDI SERIES –Amber & White LED – INSET DOOR

PERFORMANCE

Amber/White		Amber Circuit			White Circuit			Amber/White Estd. L ₇₀ LED Life (hrs)
Size	Lamp Code	Delivered lumens @ 25°C (lm)	Efficacy (lm/W)	Input Power (W)	Delivered lumens @ 25°C (lm)	Efficacy (lm/W)	Input Power (W)	
1' x 4'	45A/45L-35K8	6,006	123	49	5,403	110	49	60,000 / 80,000
	45A/45L-40K8	6,006	123	49	5,587	114	49	60,000 / 80,000
	45A/45L-50K8	6,006	123	49	5,810	119	49	60,000 / 80,000
2' x 2'	45AD/45LD-35K8	5,809	119	49	5,226	107	49	60,000 / 80,000
	45AD/45LD-40K8	5,809	119	49	5,404	110	49	60,000 / 80,000
	45AD/45LD-50K8	5,809	119	49	5,620	115	49	60,000 / 80,000
2' x 4'	45AD/45LD-35K8	6,186	132	47	6,238	136	46	80,000 / 100,000
	45AD/45LD-40K8	6,186	132	47	6,347	138	46	80,000 / 100,000
	45AD/45LD-50K8	6,186	132	47	6,601	143	46	80,000 / 100,000
	45AD/67L-35K8	6,186	132	47	8,677	121	72	60,000 / 80,000
	45AD/67L-40K8	6,186	132	47	8,828	123	72	60,000 / 80,000
	45AD/67L-50K8	6,186	132	47	9,181	128	72	60,000 / 80,000
	45AD/90L-35K8	6,186	132	47	10,970	112	98	60,000 / 80,000
	45AD/90L-40K8	6,186	132	47	11,344	116	98	60,000 / 80,000
	45AD/90L-50K8	6,186	132	47	11,798	120	98	60,000 / 80,000
	90A/90L-35K8	11,472	116	99	10,970	112	98	60,000 / 80,000
	90A/90L-40K8	11,472	116	99	11,344	116	98	60,000 / 80,000
90A/90L-50K8	11,472	116	99	11,798	120	98	60,000 / 80,000	

90 CRI MULTIPLIER

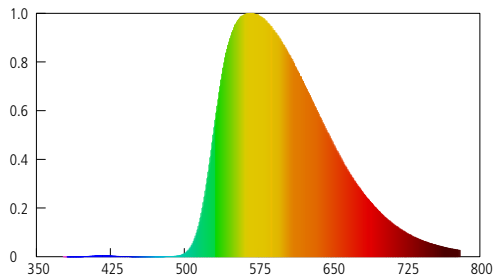
Lamp Color / CCT	Lumen Multiplier
30K9	0.83
35K9	0.87
40K9	0.89
50K9	0.89

Amber only

Size	Lamp Type	Delivered lumens @ 25°C (lm)	Efficacy (lm/W)	Input Power (W)	Estd. L ₇₀ LED Life (hrs)
1' x 4'	45A	6,006	123	49	80,000
	90A	12,013	121	99	60,000
2' x 2'	45AD	5,809	119	49	80,000
	90A	11,618	117	99	60,000
2' x 4'	45AD	5,736	117	49	80,000
	90A	11,472	116	99	80,000
	135A	17,208	116	148	60,000

Subject to change without notice. Visit www.kenall.com for .ies files and additional information

Spectroradiometric Parameters



Purity: 0.985
 UV: 0.0000% (<390nm)
 Radiant Flux < 480nm: 0.08%
 Bandwidth: 115nm
 Peak Wavelength: 570nm



www.kenall.com | P: 800-4-Kenall | F: 262-891-9700 | 10200 55th Street Kenosha, Wisconsin 53144, USA
 This product is able to comply with the latest domestic preference legislation, such as the Buy American Act (BAA), Trade Agreement Act (TAA), Build America, Buy America Act (BABA), and others. It may be covered by patents found at www.kenall.com/patents. Content of specification sheets is subject to change; please consult www.kenall.com for current product details. ©2025 Kenall Mfg. Co.

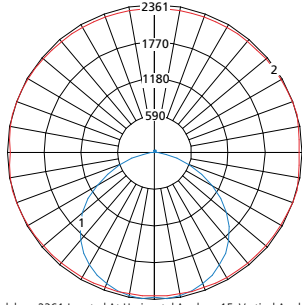
A brand of Legrand

SIMPLESEAL™

CSEDI SERIES – TECHNICAL DATA

PERFORMANCE

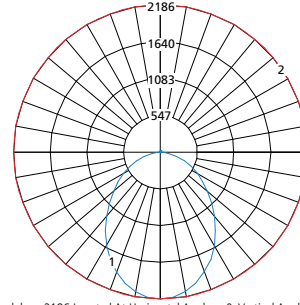
Model: CSEDI14-45A/45L-40K8-DIM1-120-2F-2H-SYM (White Mode)



Maximum Candela = 2361 Located At Horizontal Angle = 15, Vertical Angle = 5

- 1 - Vertical Plane Through Horizontal Angles (15-195) (Through Max. Cd.)
- 2 - Horizontal Cone Through Vertical Angle (5) (Through Max. Cd.)

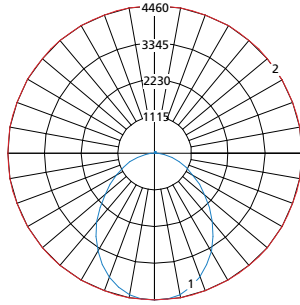
Model: CSEDI22-45AD/45LD-40K8-DIM1-120-2F-2H-SYM (White Mode)



Maximum Candela = 2186 Located At Horizontal Angle = 0, Vertical Angle = 0

- 1 - Vertical Plane Through Horizontal Angles (0-180) (Through Max. Cd.)
- 2 - Horizontal Cone Through Vertical Angle (0) (Through Max. Cd.)

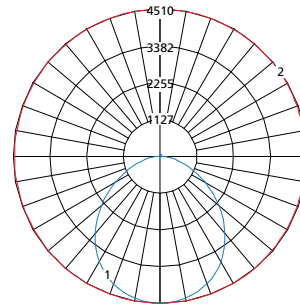
Model: CSEDI24-90A/90L-40K8-DIM1-120-2F-2H-SYM (White Mode)



Maximum Candela = 4460 Located At Horizontal Angle = 0, Vertical Angle = 0

- 1 - Vertical Plane Through Horizontal Angles (0-180) (Through Max. Cd.)
- 2 - Horizontal Cone Through Vertical Angle (0) (Through Max. Cd.)

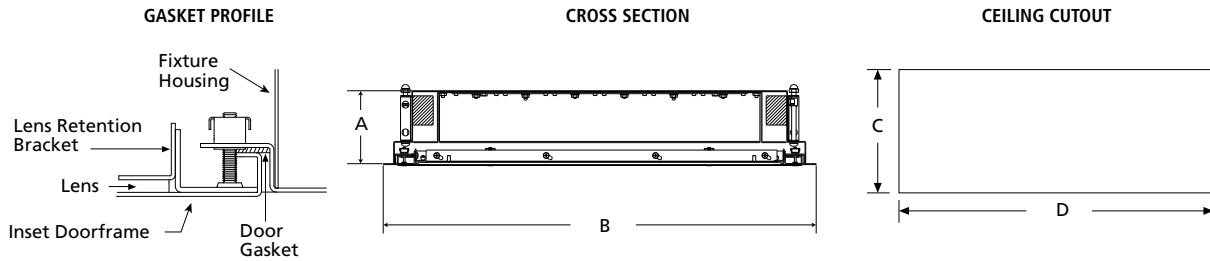
Model: CSEDI24-90A/90L-40K8-DIM1-120-2F-2H-SYM (Amber Mode)



Maximum Candela = 4510 Located At Horizontal Angle = 75, Vertical Angle = 2.5

- 1 - Vertical Plane Through Horizontal Angles (75-255) (Through Max. Cd.)
- 2 - Horizontal Cone Through Vertical Angle (2.5) (Through Max. Cd.)

DIMENSIONAL DATA



DIMENSIONAL DATA (IN INCHES)

	A	B	C	D
1×4	4.20	11.75 × 47.75	10.85	46.85
2×2	4.20	23.75 × 23.75	22.85	22.85
2×4	4.20	23.75 × 47.75	22.85	46.85

* Add .375" to ceiling cut out dimensions when IF Option is specified



www.kenall.com | P: 800-4-Kenall | F: 262-891-9700 | 10200 55th Street Kenosha, Wisconsin 53144, USA
 This product is able to comply with the latest domestic preference legislation, such as the Buy American Act (BAA), Trade Agreement Act (TAA), Build America, Buy America Act (BABA), and others. It may be covered by patents found at www.kenall.com/patents. Content of specification sheets is subject to change; please consult www.kenall.com for current product details. ©2025 Kenall Mfg. Co.

A brand of **Legrand**

Build America, Buy America Act (BABA), and others. It may be covered by patents found at www.kenall.com/patents. Content of specification sheets is subject to change; please consult www.kenall.com for current product details. ©2025 Kenall Mfg. Co.