

SIMPLESEAL™

CMEXR SERIES

PRODUCT FEATURES:

- » Recessed wall mount – Single Face
- » Indirect Red or Green LED
- » Self diagnostic testing features
- » One-piece seam welded housing
- » 304 stainless steel overlapping doorframe



PROJECT INFORMATION

Job Name _____

Fixture Type _____

Catalog Number _____

Approved by _____

SPECIFICATIONS

HOUSING: 20-gauge CRS standard – see ordering information. Hole-free one-piece seam welded construction. White TGIC polyester powder coat finish – 5 step pre-treatment. Salt spray test: 1,000 hours; Reflectance: 92%.

DOORFRAME: 20-gauge type 304 stainless steel (#4 finish-post fabrication) standard – see ordering information. One-piece 60° beveled perimeter construction. Continuous angle lens retention system. Mechanical guide for doorframe fastener alignment. Doorframe secured to housing with 4 captive flush mounted Phillips head stainless steel fasteners.

DOORFRAME GASKET: One-piece closed cell extruded silicone gasket seals doorframe to housing and wall structure.

LENS: .125" clear polycarbonate lens sealed to perimeter ledge of lens aperture with silicone sealant and secured with continuous lens retention system.

LEGEND: Legend illuminated by internal high output LEDs. Lettering six inches high with .750" stroke. Polycarbonate red or green filter panels. High impact, punched, formed and painted sheet metal stencil and field selectable chevron inserts.

ELECTRICAL: 624 nm Red or 527 nm Green LED light source. Electrical components mounted to removable high impact, injection molded polycarbonate chassis. Exit Ready – can power one Kenall METSS Satellite Exit.

OPTIONS: Sealed nickel-cadmium Emergency Battery Pack (EL) with standard deep cycle battery conditioning, self test and self diagnostic circuitry, remote laser activated test switch, protected mechanical test switch and status indicator. Provides 120 minutes of emergency operation. Emergency Battery Pack (EL) suitable for 10°C to 45°C (50°F to 113°F). Cold Weather Emergency Battery Pack (CEL) suitable for -45°C to 45°C (-49°F to 113°F). (When used with a Kenall METSS, this fixture provides 90 minutes of emergency operation.)

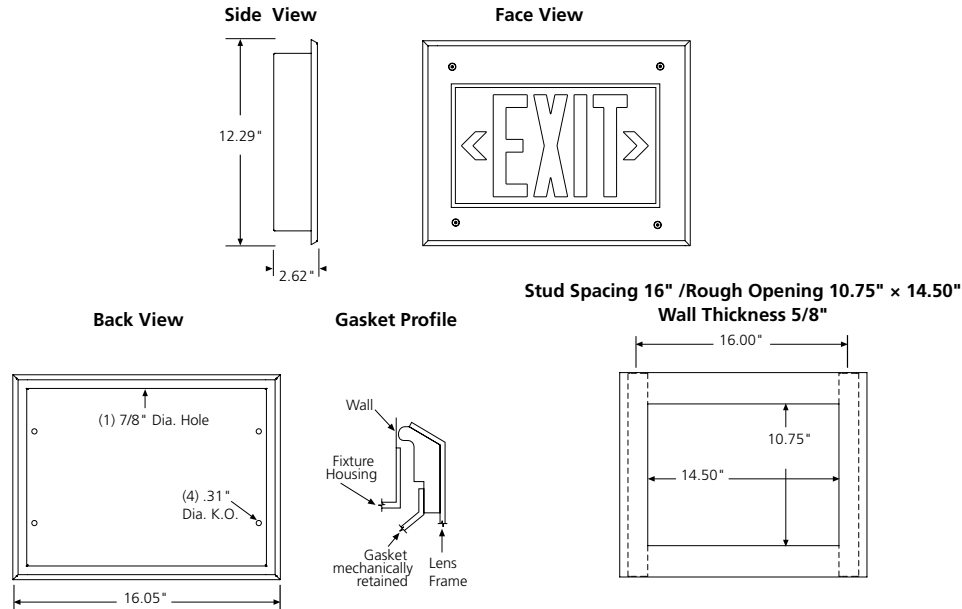
LISTINGS: UL and CUL Listed for Wet Location. UL certified IP65 per IEC 60598. NSF2 Splash/Non-Food Zone. Meets or exceeds UL924 and NFPA 101 standards. Meets or exceeds CSA and NRCAN requirements. FED-STD-209E/Class 100 (ISO 5) Cleanrooms. Build America, Buy America Act compliant.



ORDERING INFORMATION (Ex: CMEXR-5F-R-DT-NT-EL)

Model	Frame Material	Legend Color	Voltage	Mounting	Options	Accessories
CMEXR						
Frame Material	Legend Color	Mounting	Options			
5F 20-Ga Type 304 SS (STD)	G Green	NT Recessed Mounting Tray for new construction; fits 16" stud spacing, 5/8" wall thickness (tray is mounted before drywall installed)	CEL Cold Weather Emergency Battery Pack			
2F 20-Ga CRS Painted White	R Red	RT Recessed Retrofit Mounting Tray for existing construction; 10.75" x 14.5" opening required	EL Standard Emergency Battery Pack			
XF 20-Ga Type 316 SS	Voltage		BEF Black Exit Face for 5F or XF SS Frame			
	DT 120/277 Volts		BLK Black Exterior CRS Frame and Exit Face			
	DTC 120/347 Volts		XAC Auxiliary AC Supply (matches voltage selection)			
			XDC Auxiliary DC Supply (6-24 volts)			
			Accessory			
			LP Laser Pointer			

DIMENSIONAL DATA



www.kenall.com | P: 800-4-Kenall | F: 262-891-9700 | 10200 55th Street Kenosha, Wisconsin 53144, USA
 This product is able to comply with the latest domestic preference legislation, such as the Buy American Act (BAA), Trade Agreement Act (TAA), Build America, Buy America Act (BABA), and others. It may be covered by patents found at www.kenall.com/patents. Content of specification sheets is subject to change; please consult www.kenall.com for current product details. ©2025 Kenall Mfg. Co.

A brand of Legrand