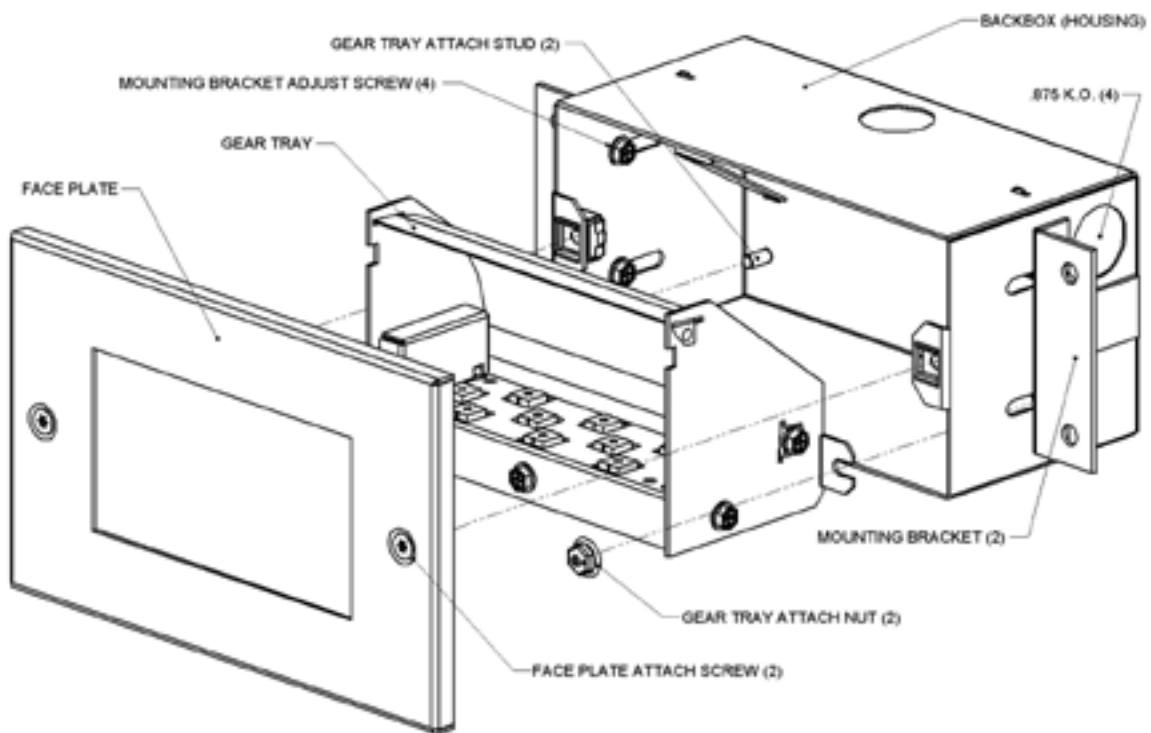


MSL SERIES

IMPORTANT SAFEGUARDS

When using electrical equipment, basic safety precautions should always be followed, including the following:

THIS PRODUCT MUST BE INSTALLED IN ACCORDANCE WITH THE APPLICABLE INSTALLATION CODE BY A PERSON FAMILIAR WITH THE CONSTRUCTION AND OPERATION OF THE PRODUCT AND THE HAZARDS INVOLVED. DISCONNECT POWER TO ALL CIRCUITS BEFORE WIRING FIXTURE. INSTALL IN ACCORDANCE WITH ALL NATIONAL, STATE, AND LOCAL CODES. DO NOT CONNECT TO AN UNGROUNDED SUPPLY. READ ALL FIXTURE MARKINGS AND LABELS TO ENSURE CORRECT INSTALLATION OF FIXTURE. SUPPLEMENTAL INSTRUCTIONS MAY BE LOCATED ON THE FIXTURE, IN ADDITION TO THIS INSTRUCTION SHEET, REGARDING ORIENTATION, OR MOUNTING RESTRICTIONS.

SAVE THESE INSTRUCTIONS

The MSL product family is designed for standard wall thickness range of 5/8" through 1-1/4".

Depending on ordering options, your fixture may appear different from the illustration shown. These instructions apply to all models.

1. NOTE: if the fixture shipped with the backbox separate, ("less backbox") skip to step 6.
2. Unscrew (2) face plate attach screws, using Philips screwdriver or 9500 Torx™ screwdriver (sold separately). Screws are retained to face plate with (2) neoprene washers.
3. Remove face plate from fixture. Store in a safe location for later installation.
4. NOTE: LED circuitry contains electrostatic-sensitive components. Use care when handling gear tray.
5. Remove (2) gear tray attach nuts from gear tray mount studs. Carefully slide gear tray assembly forward and remove from housing. Store in a safe location for later installation.
6. Select an appropriate knockout for fixture installation, and remove with a suitable tool. Knockout(s) will open to the inside of the housing.



www.kenall.com | P: 800-4-Kenall | F: 262-891-9701 | 10200 55th Street Kenosha, Wisconsin 53144, USA

A brand of **legrand**

This product complies with the Buy American Act: manufactured in the United States with more than 50% of the component cost of US origin. It may be covered by patents found at www.kenall.com/patents. Content of specification sheets is subject to change; please consult www.kenall.com for current product details. ©2019 Kenall Mfg. Co.

7. Using framing members appropriate for the installation, attach mounting brackets to frame structure (hardware by others). Recommended install height from floor to center of window is approx. 14".
8. Attach line power conduit to housing, following all applicable codes for the installation.
9. Loosen, but do not remove (4) mounting bracket attach screws. Ensure backbox slides freely.
10. Using recommended size found on product specification sheet (www.kenall.com), cut wall opening in wall board. Hang wall board. Adjust front housing edge until it is flush with the finish face of the wall board. Tighten (4) mounting bracket screws.
11. After wall finishing is complete, wire gear tray to line power. CAUTION: ensure line power is disconnected before wiring fixture! A) Attach ground wire provided to earth ground. B) Attach neutral wire (white) to service neutral. C) Attach line wire: either 120 VAC (black) or 277 VAC (blue) to service line. Cap unused line wire.
12. Carefully slide gear tray into fixture housing. Use caution to avoid crimping wires. Ensure all wires are positioned behind gear tray. Re-install (2) gear tray attach nuts.
13. Turn on line power. Using a jeweler's screwdriver, or other suitable tool, adjust dial on blue potentiometer to achieve desired light output. Note: output is pre-set at the factory to 100%. Carefully turn potentiometer dial clockwise to dim output. If the high lumen option is specified, repeat adjustment for second LED board. Light output may appear reduced after face plate installation, depending on lens option.
14. Re-install face plate, using face plate attach screws (provided). If the louver option is specified, install face plate with louver angle pointing down. Face plate should sit flush against wall face. Adjust back box depth as needed to achieve flush fit. Do not over-tighten face plate attach screws.

CUSTOMER SERVICE

For technical assistance, call 1-800-4KENALL (1-800-453-6255).

WARRANTY

For warranty information visit www.kenall.com/Resources/Certified-Performance-Warranties



www.kenall.com | P: 800-4-Kenall | F: 262-891-9701 | 10200 55th Street Kenosha, Wisconsin 53144, USA

A brand of  **legrand**

This product complies with the Buy American Act: manufactured in the United States with more than 50% of the component cost of US origin. It may be covered by patents found at www.kenall.com/patents. Content of specification sheets is subject to change; please consult www.kenall.com for current product details. ©2019 Kenall Mfg. Co.