

MRIMAS SERIES

IMPORTANT SAFEGUARDS

When using electrical equipment, basic safety precautions should always be followed, including the following:

THIS PRODUCT MUST BE INSTALLED IN ACCORDANCE WITH THE APPLICABLE INSTALLATION CODE BY A PERSON FAMILIAR WITH THE CONSTRUCTION AND OPERATION OF THE PRODUCT AND THE HAZARDS INVOLVED. DISCONNECT POWER TO ALL CIRCUITS BEFORE WIRING FIXTURE. INSTALL IN ACCORDANCE WITH ALL NATIONAL, STATE, AND LOCAL CODES. DO NOT CONNECT TO AN UNGROUNDED SUPPLY. READ ALL FIXTURE MARKINGS AND LABELS TO ENSURE CORRECT INSTALLATION OF FIXTURE. SUPPLEMENTAL INSTRUCTIONS MAY BE LOCATED ON THE FIXTURE, IN ADDITION TO THIS INSTRUCTION SHEET, REGARDING ORIENTATION, OR MOUNTING RESTRICTIONS.

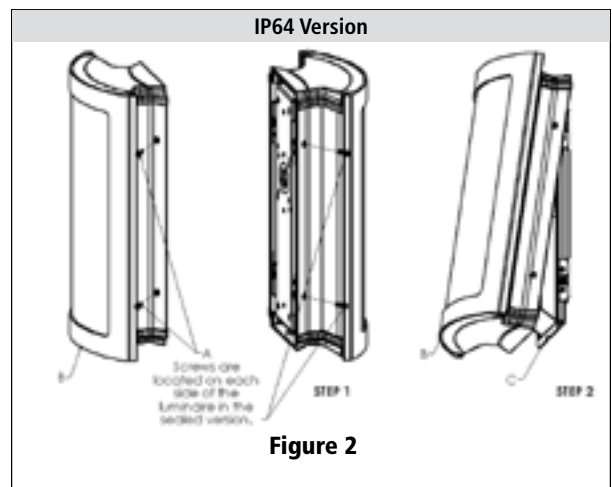
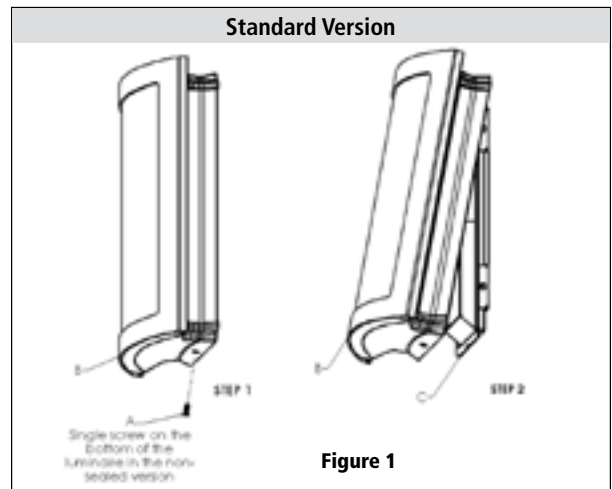


SAVE THESE INSTRUCTIONS

INSTALLATION INSTRUCTIONS

This instruction sheet applies for the MRI MedMaster™ Auracyl Sconce MRIMAS813. A separate instruction sheet is provided in the MRIPS-312 external power supply. Both sheets are intended to provide comprehensive instructions on fixture installation and wiring. The MRI MedMaster™ Sconce lighting system contains sensitive electronics. Take care to avoid damage by improper handling or static electricity discharge (ESD). Either type of damage could render the system inoperable or cause latent failure.

1. Remove the screw(s) from the luminaire and unhook front housing (B) from the baseplate assembly (C).
2. Remove the reflector / wireway to expose the mounting holes. See illustration on page 2. NOTE: DO NOT remove the LED boards.
3. Remove LED tray from the baseplate (C), this will expose the supply wire hole. See illustration on page 2. NOTE: DO NOT remove the LED boards.
4. Remove 1.50" knockout in the center of the baseplate (C).
5. Use the baseplate (C) as a template and mark the pilot holes (E) on the mount surface. Orient the baseplate (C) with the angle bracket hook (D) at the top.
6. IP64 version only: To ensure wet location rating, apply square gasket (supplied) around wire access opening and four round gaskets (supplied) on the wall side of the baseplate.
7. Disconnect facility power to the electric power supply leads.
8. Mount the baseplate.



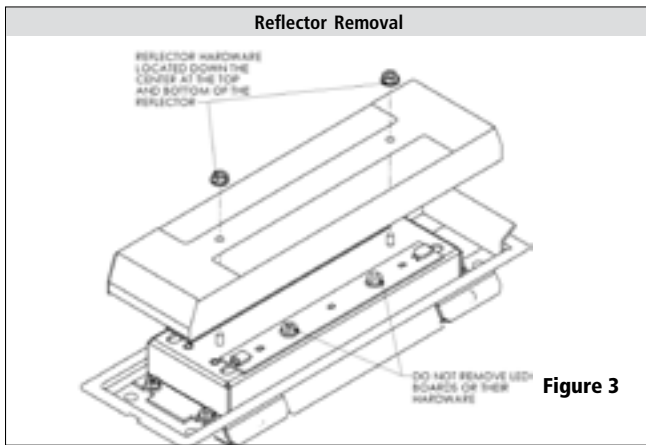


Figure 3

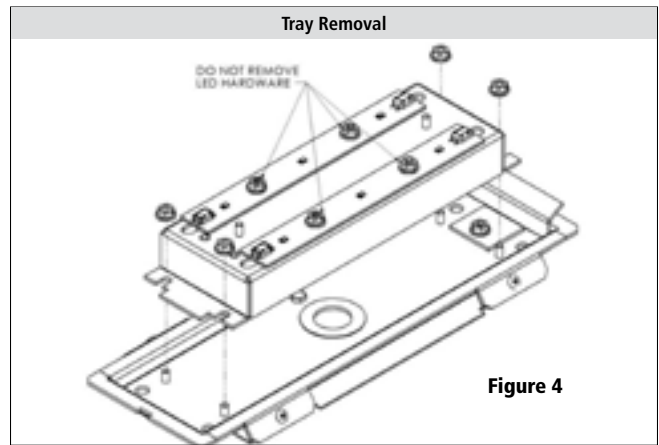


Figure 4

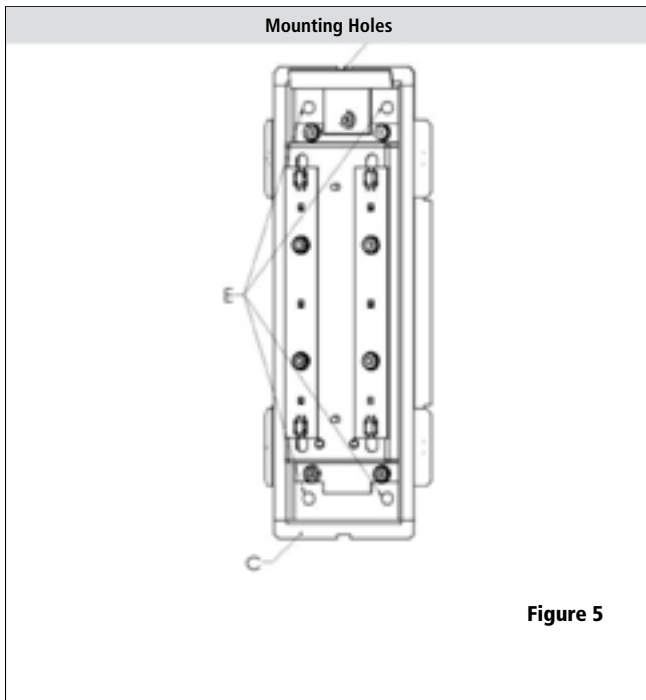


Figure 5

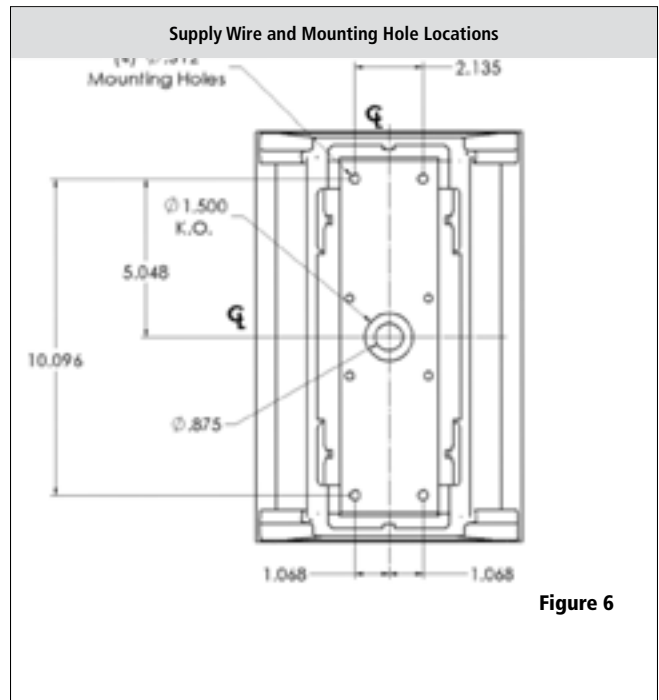


Figure 6

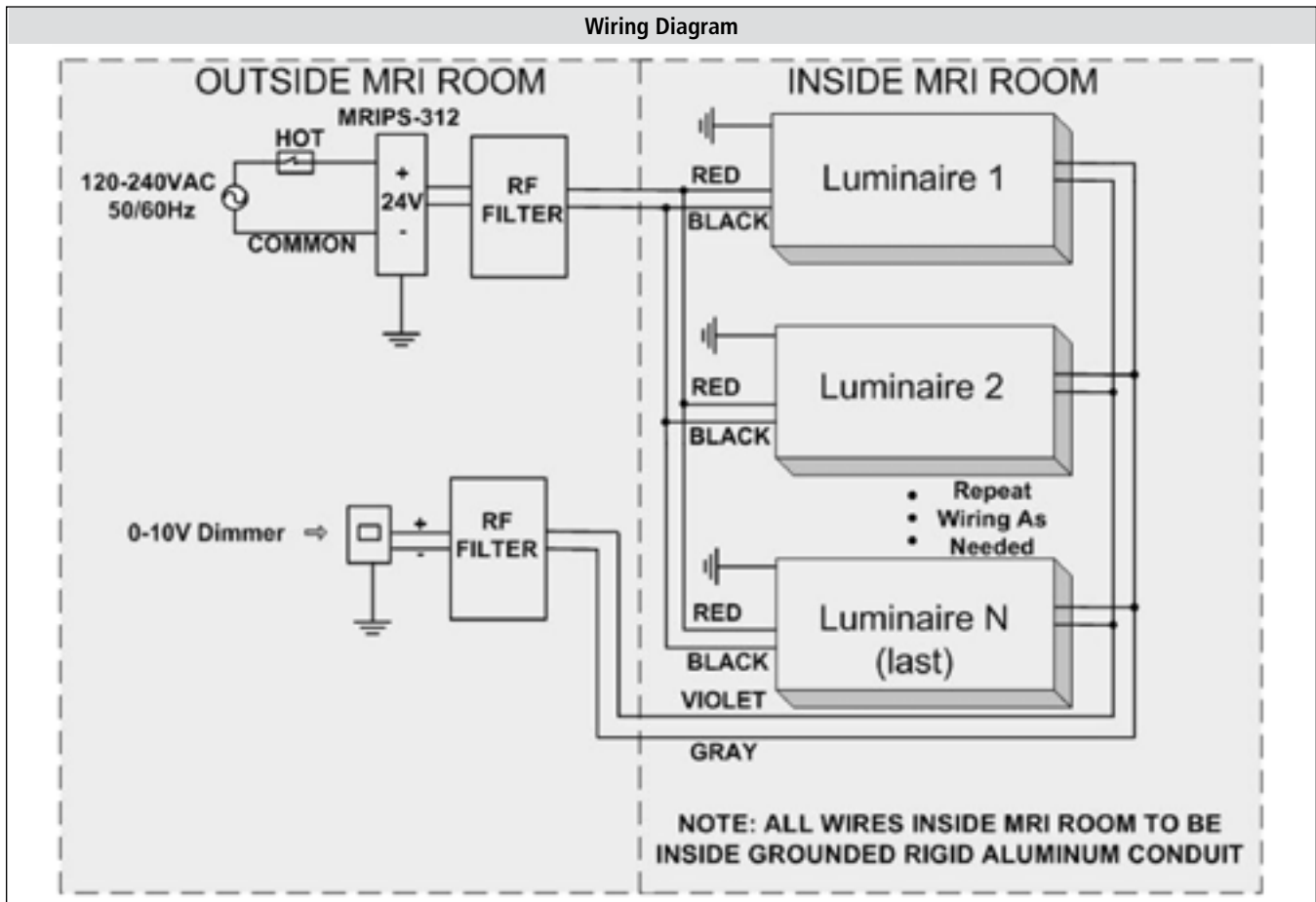
Electrical Connection

9. Mount and wire the MRIPS-312 external power supply per the procedures provided in the supplementary instruction sheet. Run conduit and DC wiring to an MRI room EMI filter sized to the load of the power supply (supplied by others). Make sure wiring is completely enclosed in grounded aluminum conduit. Any gaps, regardless of size, must be closed or wrapped in copper foil tape.
10. If a 0-10V dimmer is to be connected, install at this time. Dimmer must be installed outside the shielded MRI environment with an intermediate MRI room EMI filter to the luminaires. Kenall recommends using a Leviton® IllumaTech™ IP710 series dimmer or Grafik Eye GRX-TVI control interface. Contact Kenall for suitability of using an alternate sink-type 0-10V dimmer. Reattach the reflector / wireway with the screws that were removed in step 3.

WARNING: All DC power and dimming signal wiring must be run through separate EMI filters.

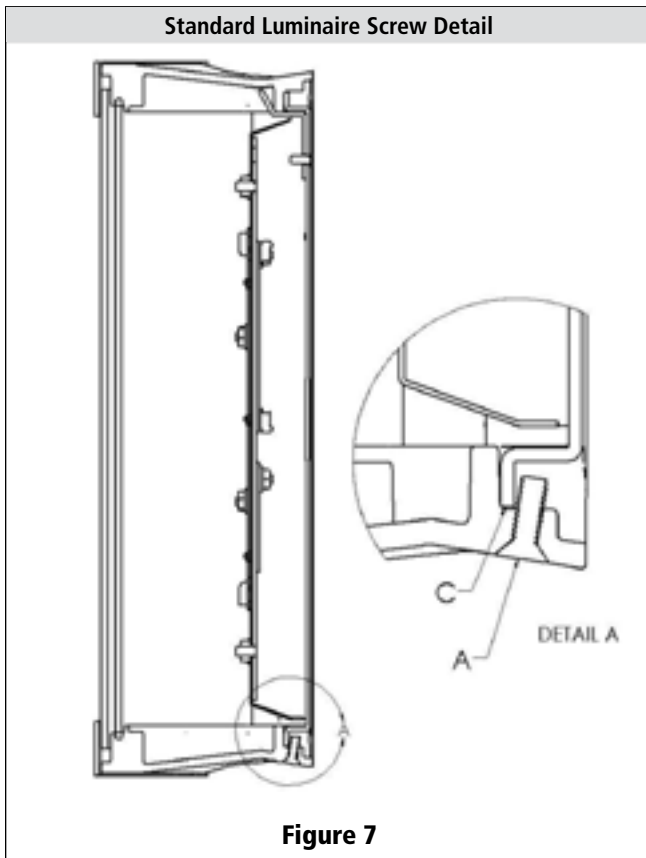
11. After the luminaires are mounted and secured, access the internal junction box to gain access to supply connections. Each wire is labeled and color coded for easy identification.





12. Run the 24VDC supply from the EMI filter to the luminaire(s) using at least 18 AWG wires. Class 1 wiring is required. Make sure wiring is completely enclosed in grounded aluminum conduit. Any gaps, regardless of size, must be closed or wrapped in copper foil tape. Special attention should be paid to the wiring entry point into the shielded space. See Figure above.
13. Run the dimming signal (if applicable) from the dimmer EMI filter to the luminaire(s) using at least 18AWG wires. Make sure wiring is completely enclosed in grounded aluminum conduit. Any gaps, regardless of size, must be closed or wrapped in copper foil tape. Special attention should be paid to the wiring entry point into the shielded space. See Figure above.
14. Make DC supply and (optional) dimmer control connections within each luminaire. Cap gray and violet leads if dimmer is not connected.
15. Reinstall all provided bracketry and internal enclosures provided with the luminaire. These parts are critical to the overall EMI shielding of the system.
16. Connect power to external power supply and test for proper operation of lighting system. Make sure all LEDs are lit and dimming operation works as intended (if connected).
17. Test operation of lighting during MRI machine idle mode and during scanning operations.
18. Fill out the Installation Registration Form (attached to MRIPS-312 instruction sheet) and fax to Kenall at (847) 360-1781.





Conclusion of Luminaire Mounting Procedure

19. Reattach the LED tray (F) to the baseplate (C).
20. Reattach the reflector/wireway with the screws that were removed in step 3.
21. Hook the front housing (B) onto the angle bracket hook (D).
22. Replace the screw(S) removed in step 1. NOTE: Do not push on the outer lens when mounting the front housing.
23. Standard luminaire only: Check to make sure the housing is locked in place. This is achieved when screw (A) is behind the baseplate flange (C). NOTE: Do not push on outer lens when mounting the front housing.

CUSTOMER SERVICE

For technical assistance, call 1-800-4KENALL (1-800-453-6255).

WARRANTY

For warranty information visit www.kenall.com/Resources/Certified-Performance-Warranties

