

**MRIDL4 SERIES**

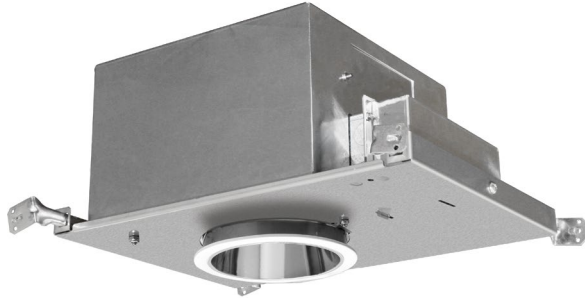
**IMPORTANT SAFEGUARDS**

When using electrical equipment, basic safety precautions should always be followed, including the following:

**THIS PRODUCT MUST BE INSTALLED IN ACCORDANCE WITH THE APPLICABLE INSTALLATION CODE BY A PERSON FAMILIAR WITH THE CONSTRUCTION AND OPERATION OF THE PRODUCT AND THE HAZARDS INVOLVED.**

**CE PRODUIT DOIT ÊTRE INSTALLÉ SELON LE CODE D'INSTALLATION PERTINENT, PAR UNE PERSONNE QUI CONNAÎT BIEN LE PRODUIT ET SON FONCTIONNEMENT AINSI QUE LES RISQUES INHÉRENTS.**

DISCONNECT POWER TO ALL CIRCUITS BEFORE WIRING FIXTURE. INSTALL IN ACCORDANCE WITH ALL NATIONAL, STATE, AND LOCAL CODES. DO NOT CONNECT TO AN UNGROUNDED SUPPLY. READ ALL FIXTURE MARKINGS AND LABELS TO ENSURE CORRECT INSTALLATION OF FIXTURE. SUPPLEMENTAL INSTRUCTIONS MAY BE LOCATED ON THE FIXTURE, IN ADDITION TO THIS INSTRUCTION SHEET, REGARDING ORIENTATION, OR MOUNTING RESTRICTIONS.

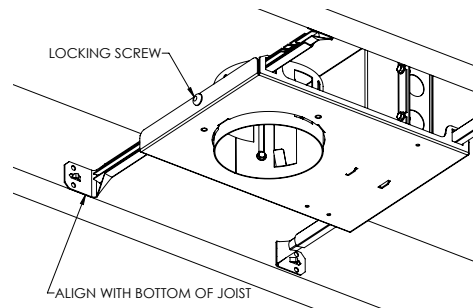


**SAVE THESE INSTRUCTIONS**

**TO PREVENT MRI MACHINE INTERFERENCE, ALL DC POWER AND DIMMING SIGNAL WIRING MUST BE COMPLETELY SHIELDED WITHIN GROUNDED ALUMINUM CONDUIT AND A SUITABLE MRI ROOM EMI FILTER MUST BE INSTALLED ON EACH LINE.**

**NEW CONSTRUCTION- DRYWALL CEILING** – RECOMMENDED CEILING CUTOUT- 4.125" DIAMETER

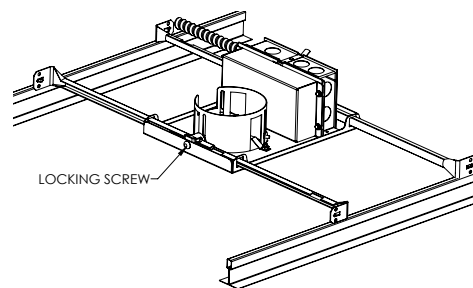
1. Loosen locking screws to extend hanger bars.  
See Figure 1.
2. Align bottom of hanger bar tabs to bottom of joist.
3. Secure luminaire hanger bars using nails or screws.
4. Position luminaire as required and lock position by tightening locking screws.



**FIGURE 1**

**GRID CEILING** – RECOMMENDED CEILING CUTOUT- 4.125" DIAMETER

1. Loosen locking screws to extend hanger bars. See Figure 2.
2. Position luminaire as required and lock position by tightening locking screws.



**FIGURE 2**



- Attach luminaire securely to grid using brackets, screws and nuts provided or wiring to grid members. See Figure 3.

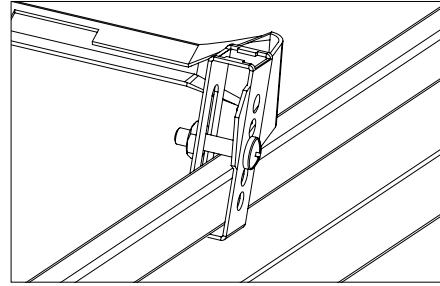
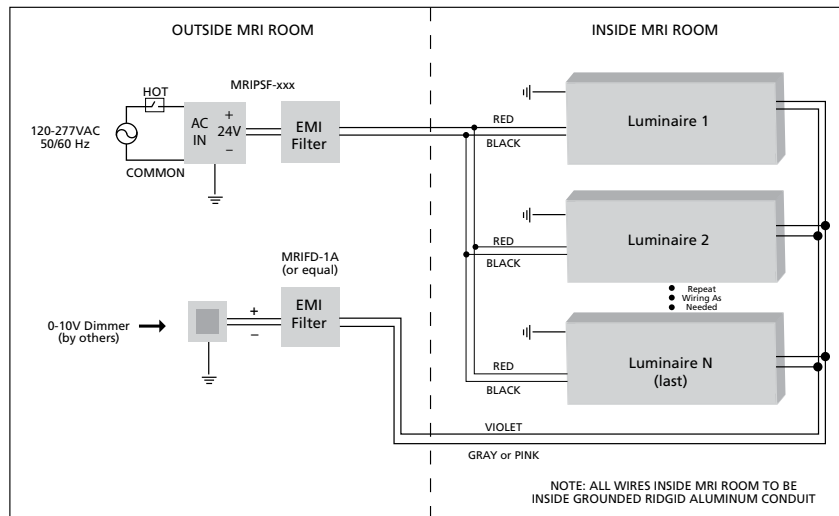


FIGURE 3

**ELECTRICAL CONNECTION**

- Mount and wire the MRIPSF external power supply system per the procedures provided in the supplementary instruction sheet. Run conduit and DC wiring to an MRI room EMI filter. Make sure wiring is completely enclosed in grounded aluminum conduit. Any gaps, regardless of size, must be closed or wrapped in copper foil tape.
- If a 0-10V dimming circuit is to be connected, install at this time. The 0-10V dimmer must be installed outside the shielded MRI environment with the Kenall MRIFD-1A dimming line filter (or equivalent) installed in accordance with the supplied installation instructions. Kenall recommends the Lutron Diva (DVSTV) and Lutron Nova T (NTSTV-DV) series to ensure the full range of dimming can be achieved.
- Remove junction box cover and make conduit connections to the appropriate 1/2" knockout(s).

NOTE: 24VDC and Dimming Wires to be run through same conduit.

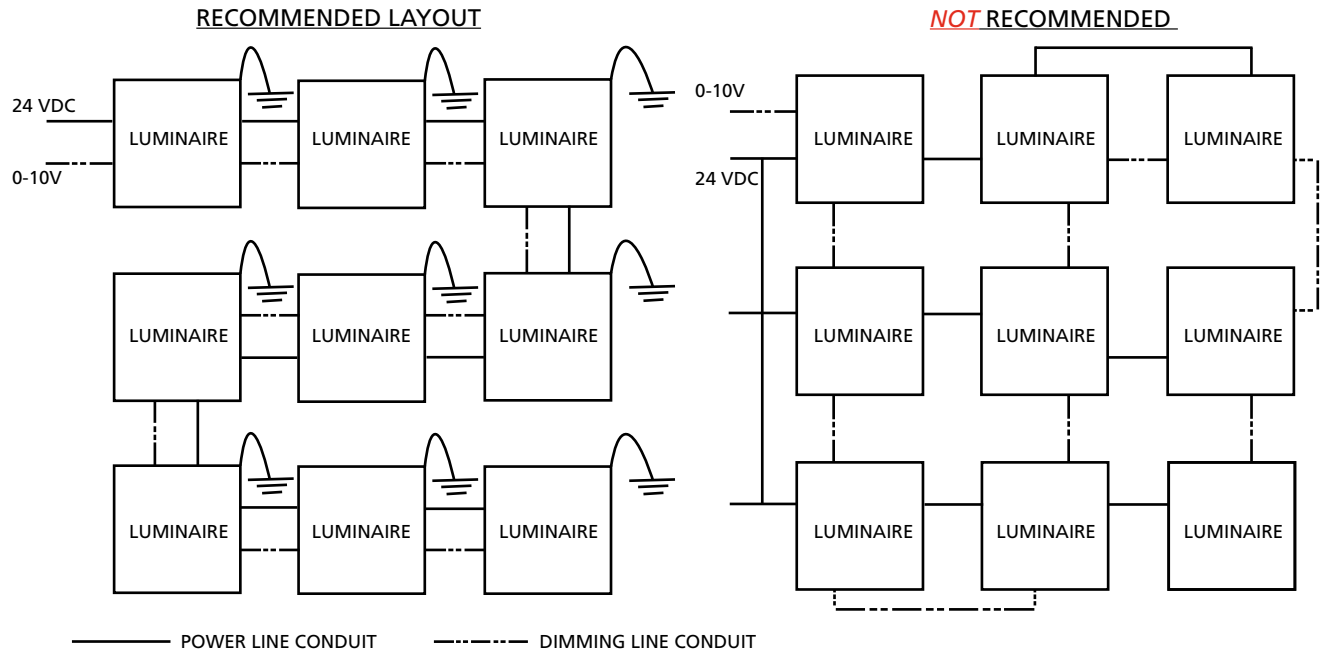


Single-Supply System Schematic

- Run DC supply wiring, equal in size and temperature rating to the filter input wiring, between the filter output cables and the first luminaire within the shielded room. Follow recommended wiring layout described within Single-Supply System Schematic. All wiring must be within completely-enclosed, grounded conduit suitable for an MRI environment. Any gaps, regardless of size, must be closed or wrapped in copper foil tape. Special attention should be paid to the wiring entry point into the shielded space. Class 1 wiring methods are required.
- Run the dimming signal wiring, equal in specification to the filter input wiring, between the filter output cables and the first luminaire within the shielded room. Maintain polarity between input and output sides of the filter and follow wiring recommendation in Multi-Fixture Wiring Schematic. All wiring must be within completely enclosed, grounded conduit suitable for an MRI environment. Any gaps, regardless of size, must be closed or wrapped in copper foil tape. Special attention should be paid to the wiring entry point into the shielded space. Cap gray (or pink) and violet leads at luminaire(s) if dimming function is not implemented.



6. Using at least an 18 AWG wire, ground the last housing in the sequence to the shielded ceiling. This can be done by fastening the wire to the copper ground wire in the luminaire's junction box..
7. Make DC supply and (optional) dimmer control connections within each luminaire.
8. Replace junction box cover and seal both covers using supplied copper foil tape.

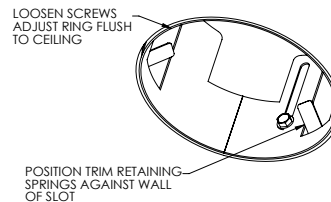


Multi-Fixture System Schematic

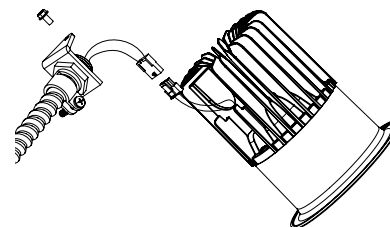
Wiring from fixture to fixture and grounding the final fixture is recommended.

**TRIM CONNECTION AND INSTALLATION**

1. With finished ceiling or tile in place, check position of locking springs attached to frame. Rotate springs if necessary so that they are against wall of slot as shown in Figure 4.
2. Fasten conduit adapter to trim housing using the screw provided (see Figure 5).
3. Install trim and press firmly to ceiling.
4. Check to ensure the gasket between the trim ring and ceiling is compressed.



**FIGURE 4**



**FIGURE 5**

**TRIM REMOVAL**

5. To remove trim, turn counter clockwise (left) until the locking springs rotate, freeing the trim.
6. Before re-installing the trim, rotate the locking springs back against the slot wall in the adjustment ring.

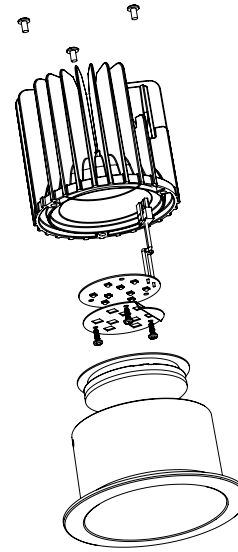


**SERVICE**

CAUTION BEFORE BEGINNING ANY SERVICE,  
DISCONNECT POWER TO THE FIXTURE.

**DRIVER REPLACEMENT**

1. For room side access, rotate the trim to remove from ceiling. See Trim Removal Section above.
2. Disconnect conduit adapter by loosening screw. (See Figure 5)
3. Disconnect connectors and remove trim housing and move to a safe location.
4. Lift spring to remove LED driver/cover assembly.
5. Disconnect leads and reconnect to new driver.
6. Install new driver/cover place cover tab into slot in frame and pivot until snapped under spring.
8. Re-install trim housing following instructions in Trim Connection And Installation section.



**FIGURE 6**

**MODULE REPLACEMENT**

1. For room side access, rotate the trim to remove from ceiling. See Trim Removal Section above.
2. Disconnect conduit adapter by loosening screw. (See Figure 5)
3. Disconnect electrical connectors and remove trim housing.
4. Remove heatsink from lower housing by removing (3) screws and lifting off.
5. Remove (3) screws, reflector plate and insulator as shown in Figure 6. LED module may then be removed and replaced.
6. Apply heatsink paste to back of new LED module.
7. Feed the connector through the opening in the housing and position the insulator and reflector plate.
8. Secure the LED module, insulator and reflector plate to the housing by re-installing the (3) screws. See Figure 6.
9. Re-assemble the heatsink to the lower housing by replacing the (3) screws.
10. Re-install trim housing following instructions in "Trim Connection And Installation" section.

**CUSTOMER SERVICE**

For technical assistance, call 1-800-4KENALL (1-800-453-6255).

**WARRANTY**

For warranty information visit [www.kenall.com/Resources/Certified-Performance-Warranties](http://www.kenall.com/Resources/Certified-Performance-Warranties)



www.kenall.com | P: 800-4-Kenall | F: 262-891-9701 | 10200 55th Street Kenosha, Wisconsin 53144, USA

A brand of **legrand**

This product complies with the Buy American Act: manufactured in the United States with more than 50% of the component cost of US origin. It may be covered by patents found at [www.kenall.com/patents](http://www.kenall.com/patents). Content of specification sheets is subject to change; please consult [www.kenall.com](http://www.kenall.com) for current product details. ©2019 Kenall Mfg. Co.