

MCSL SERIES – DIECAST

IMPORTANT SAFEGUARDS

When using electrical equipment, basic safety precautions should always be followed, including the following:

THIS PRODUCT MUST BE INSTALLED IN ACCORDANCE WITH THE APPLICABLE INSTALLATION CODE BY A PERSON FAMILIAR WITH THE CONSTRUCTION AND OPERATION OF THE PRODUCT AND THE HAZARDS INVOLVED. DISCONNECT POWER TO ALL CIRCUITS BEFORE WIRING FIXTURE. INSTALL IN ACCORDANCE WITH ALL NATIONAL, STATE, AND LOCAL CODES. DO NOT CONNECT TO AN UNGROUNDED SUPPLY. READ ALL FIXTURE MARKINGS AND LABELS TO ENSURE CORRECT INSTALLATION OF FIXTURE. SUPPLEMENTAL INSTRUCTIONS MAY BE LOCATED ON THE FIXTURE, IN ADDITION TO THIS INSTRUCTION SHEET, REGARDING ORIENTATION, OR MOUNTING RESTRICTIONS.



INSTALLATION INSTRUCTIONS

SAVE THESE INSTRUCTIONS

OVERVIEW

- The instructions below describe how to install the SoftStep Contour Horizontal Rectangle luminaire.
- This luminaire is to be mounted to horizontally oriented NEMA single-gang junction boxes (supplied by others), a 1900 junction boxes with a single -gang plaster rings (supplied by others), or a SoftStep Contour Junction Box Accessories.
- If using a SoftStep Contour Junction Box, please see appropriate installation instructions before beginning to install the SoftStep Luminaire.
- Before beginning the installation, verify that the rough wall opening around the junction box does not exceed 2.375" wide by 4.250" long.

INSTALLATION

- 1 Disconnect facility power to the electric power supply leads.
- 2 Remove the set screw from the luminaire and unhook front housing from the baseplate.

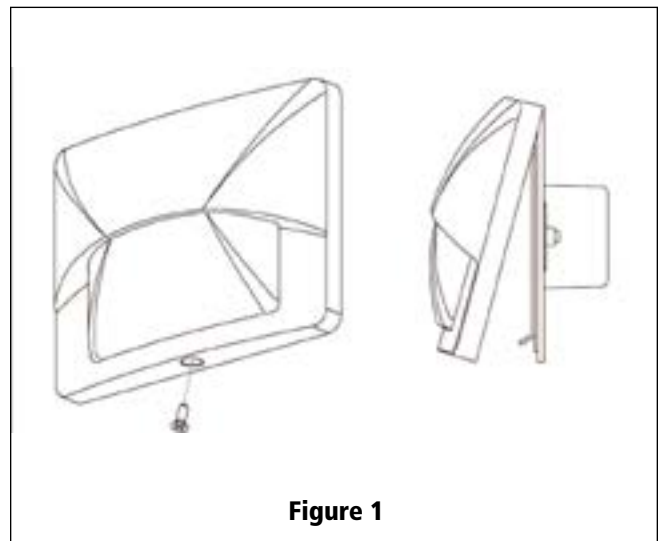
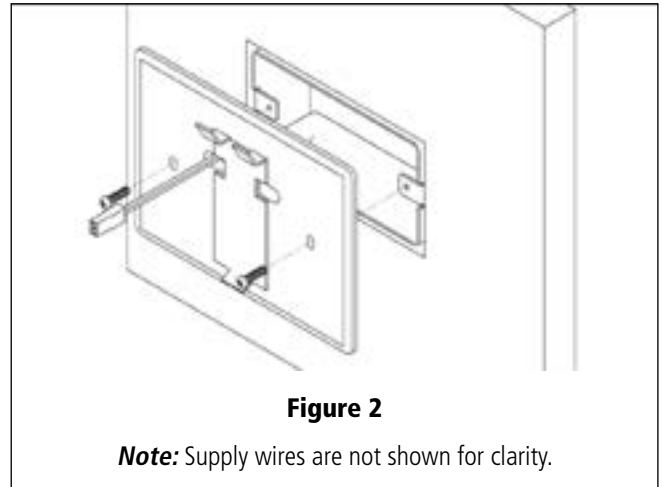


Figure 1

- 3 Connect the luminaire assembly power leads to the power supply leads. Make sure proper ground is made. Use the correct size of connectors that are applicable for the gauge and number of wires (not included).
- 4 Connections must be made in the junction box and not in the luminaire.
- 5 Mount baseplate directly to junction box using the screws provided. Note: The 2 prong side of the flange bracket indicates the top of the baseplate.

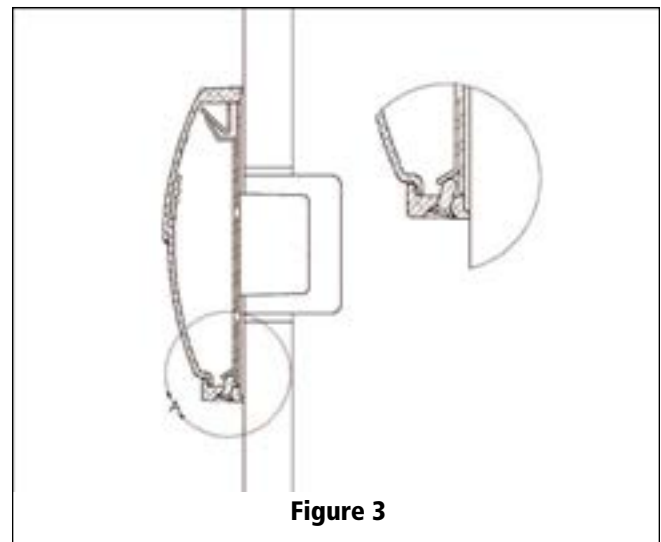


- 6 Connect the baseplate wiring harness to the front housing wiring harness using the quick disconnect plug.
- 7 Hook the front housing onto the angle bracket hook located at the top baseplate.
CAUTION: Make certain the wires are clear of the housing and angle brackets before proceeding to step 8.
- 8 Replace the set screw removed in step 2.
- 9 Verify that the housing is locked in place. This is achieved when the set screw is behind the baseplate flange. See image to the right for clarification.



FINAL ADJUSTMENTS

- Bottom of diecast frame should be flush with ROOM SIDE of ceiling surface. If not, adjust mounting brackets by loosening (4) wing nuts (inside of fixture) and relocate fixture to correct height; retighten nuts.



CUSTOMER SERVICE

For technical assistance, call 1-800-4KENALL (1-800-453-6255).

WARRANTY

For warranty information visit www.kenall.com/Resources/Certified-Performance-Warranties



www.kenall.com | P: 800-4-Kenall | F: 262-891-9701 | 10200 55th Street Kenosha, Wisconsin 53144, USA

This product complies with the Buy American Act: manufactured in the United States with more than 50% of the component cost of US origin. It may be covered by patents found at www.kenall.com/patents. Content of specification sheets is subject to change; please consult www.kenall.com for current product details. ©2019 Kenall Mfg. Co.

A brand of Legrand