

IMPORTANT SAFEGUARDS

When using electrical equipment, basic safety precautions should always be followed, including the following:

THIS PRODUCT MUST BE INSTALLED IN ACCORDANCE WITH THE APPLICABLE INSTALLATION CODE BY A PERSON FAMILIAR WITH THE CONSTRUCTION AND OPERATION OF THE PRODUCT AND THE HAZARDS INVOLVED. DISCONNECT POWER TO ALL CIRCUITS BEFORE WIRING FIXTURE. INSTALL IN ACCORDANCE WITH ALL NATIONAL, STATE, AND LOCAL CODES. DO NOT CONNECT TO AN UNGROUNDED SUPPLY. READ ALL FIXTURE MARKINGS AND LABELS TO ENSURE CORRECT INSTALLATION OF FIXTURE. SUPPLEMENTAL INSTRUCTIONS MAY BE LOCATED ON THE FIXTURE, IN ADDITION TO THIS INSTRUCTION SHEET, REGARDING ORIENTATION, OR MOUNTING RESTRICTIONS.

SAVE THESE INSTRUCTIONS

PREP INSTALLATION SURFACE

Cut appropriate size hole in ceiling panel or ceiling material (M2DL6xx fixture - 8-1/8" diameter hole; M2DL8xx fixture – 10-1/8" diameter hole). If applicable, install panel.

Insert conduit or c-channel (by others unless ordered separately) through mounting brackets. Bend brackets back to secure.

INSTALLATION - GRID MOUNTING

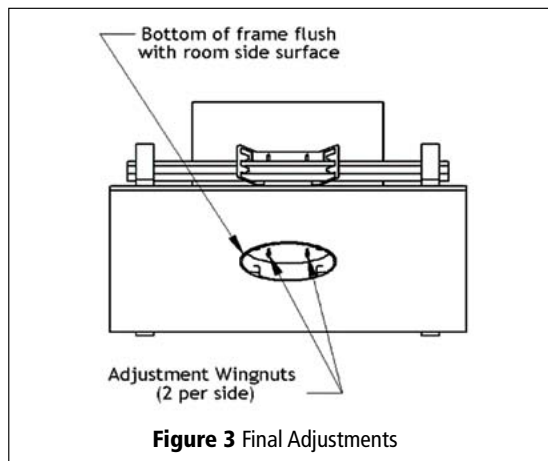
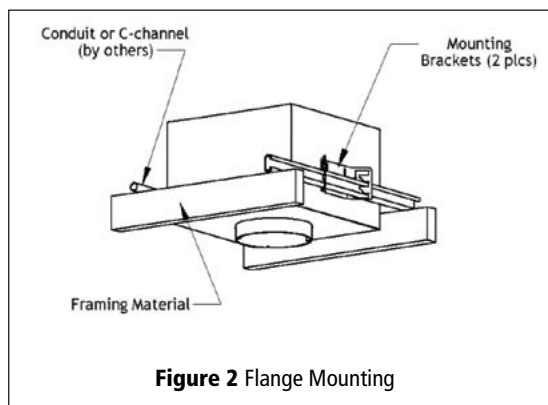
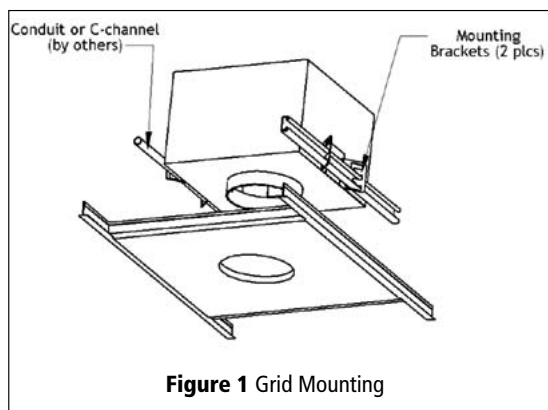
- Lift fixture into ceiling through adjacent opening and position over cutout.

FLANGE MOUNTING

- Mount the fixture in the ceiling such that the weight of the fixture is supported by framing material and/or hanger wires secured to the building structure.

FINAL ADJUSTMENTS

- Bottom of diecast frame should be flush with the ROOM SIDE of ceiling surface. If not, adjust mounting brackets by loosening (4) wing nuts (inside of fixture) and relocate fixture to correct height; retighten nuts.



CUSTOMER SERVICE

For technical assistance, call 1-800-4KENALL (1-800-453-6255). For additional instructions, go to www.kenall.com/Installs

WARRANTY

This product is warranted by Kenall to be free of defects in workmanship and materials for a period of one year from the date of the invoice. The external DC power supply carries a three year warranty from the date of the invoice.

Kenall reserves the right to issue credit, repair, or replace the defective merchandise, at its discretion, upon notification and confirmation by its local representative of the defect. Kenall also reserves the right to test and examine the defective product if the defect is questionable and to deny the warranty herein for any product altered, improperly installed, or installed in applications for which it is not intended. This includes operation in ambient temperatures above stated limits for any length of time. Failure by electrical surge shall not be covered under warranty.

Kenall assumes no responsibility for labor or freight costs incurred in connection with the installation, removal, or replacement of products determined to be defective or any other consequential or incidental damages arising from the use of the product. Kenall's entire liability on any claim of loss or damage resulting from a defective product is limited to the replacement price of the product.

The foregoing warranty is exclusive of all other warranties and no other warranties of any kind are expressed or implied.



www.kenall.com

P: 800-4-Kenall

F: 262-891-9701

10200 55th Street Kenosha, Wisconsin 53144

When you see this image, you will know the Kenall product shown or described is designed and manufactured in the USA with components purchased from US suppliers, and meets the Buy American requirements under the ARRA. Kenall has not determined the origin of its domestically purchased components or the subcomponents thereof. May be covered by patents found at www.kenall.com/patents. Content of specification sheets is subject to change; please consult www.kenall.com for current product details. © 2015 Kenall Mfg. Co. All rights reserved.