

IMPORTANT SAFEGUARDS

When using electrical equipment, basic safety precautions should always be followed, including the following:

THIS PRODUCT MUST BE INSTALLED IN ACCORDANCE WITH THE APPLICABLE INSTALLATION CODE BY A PERSON FAMILIAR WITH THE CONSTRUCTION AND OPERATION OF THE PRODUCT AND THE HAZARDS INVOLVED. DISCONNECT POWER TO ALL CIRCUITS BEFORE WIRING FIXTURE. INSTALL IN ACCORDANCE WITH ALL NATIONAL, STATE, AND LOCAL CODES. DO NOT CONNECT TO AN UNGROUNDED SUPPLY. READ ALL FIXTURE MARKINGS AND LABELS TO ENSURE CORRECT INSTALLATION OF FIXTURE. SUPPLEMENTAL INSTRUCTIONS MAY BE LOCATED ON THE FIXTURE, IN ADDITION TO THIS INSTRUCTION SHEET, REGARDING ORIENTATION, OR MOUNTING RESTRICTIONS.

CE PRODUIT DOIT ÊTRE INSTALLÉ SELON LE CODE D'INSTALLATION PERTINENT, PAR UNE PERSONNE QUI CONNAÎT BIEN LE PRODUIT ET SON FONCTIONNEMENT AINSI QUE LES RISQUES INHÉRENTS.

THE DOWNLIGHT CONTAINS SENSITIVE ELECTRONICS. TAKE CARE TO AVOID DAMAGE BY IMPROPER HANDLING OR STATIC ELECTRICITY DISCHARGE (ESD). EITHER TYPE OF DAMAGE COULD RENDER THE SYSTEM INOPERABLE OR CAUSE LATENT FAILURE.

SAVE THESE INSTRUCTIONS

Before installation check the labels on the trim and frame to be sure the correct wattage trims are being installed.

1. Connect LED and power plugs to appropriate sockets. See Figure 1.
2. Place connectors in housing and insert tabs into slots. See Figure 2.
3. Tighten screw to secure. See Figure 3.

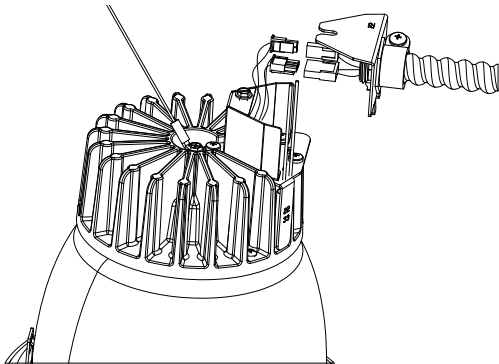


Figure 1

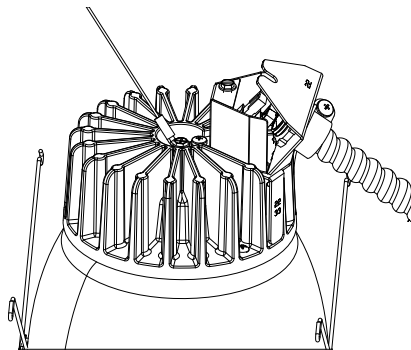


Figure 2

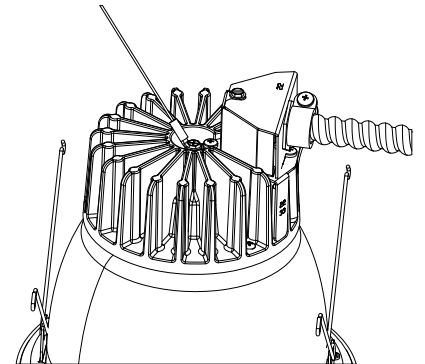


Figure 3



4. For trims with torsion springs, ensure that rubber caps are fully seated on ends of springs. Compress torsion spring and insert into receiver in plaster ring and push up to seat. See Figure 4.
5. For trims with screws, insert the trim into the plaster ring and align the (4) trim mounting screws with the cage nuts in the plaster ring. Tighten to secure the trim. See Figure 5.

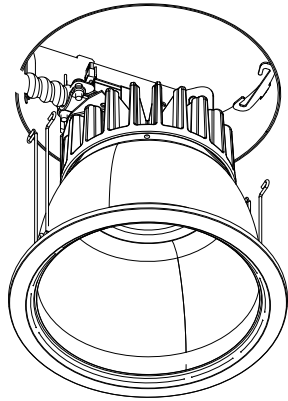


Figure 4

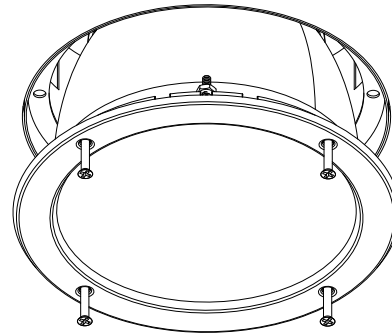


Figure 5

CUSTOMER SERVICE

For technical assistance, call 1-800-4KENALL (1-800-453-6255). For additional instructions, go to www.kenall.com/Installs

WARRANTY

For warranty information visit www.kenall.com/Resources/Certified-Performance-Warranties

